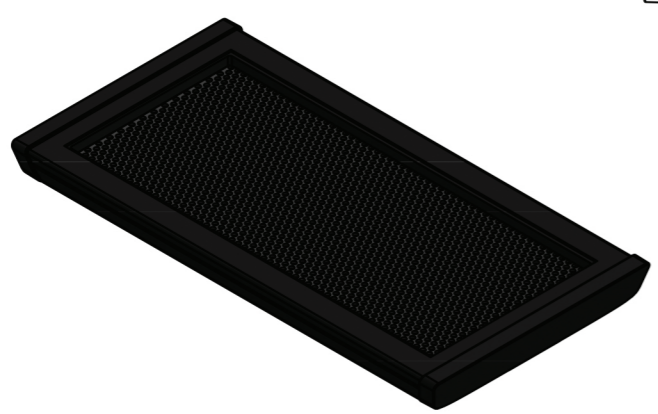
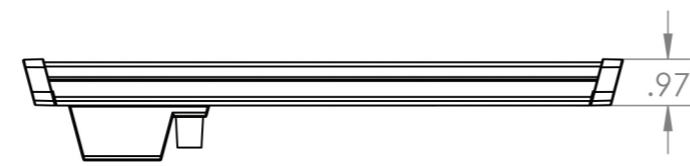
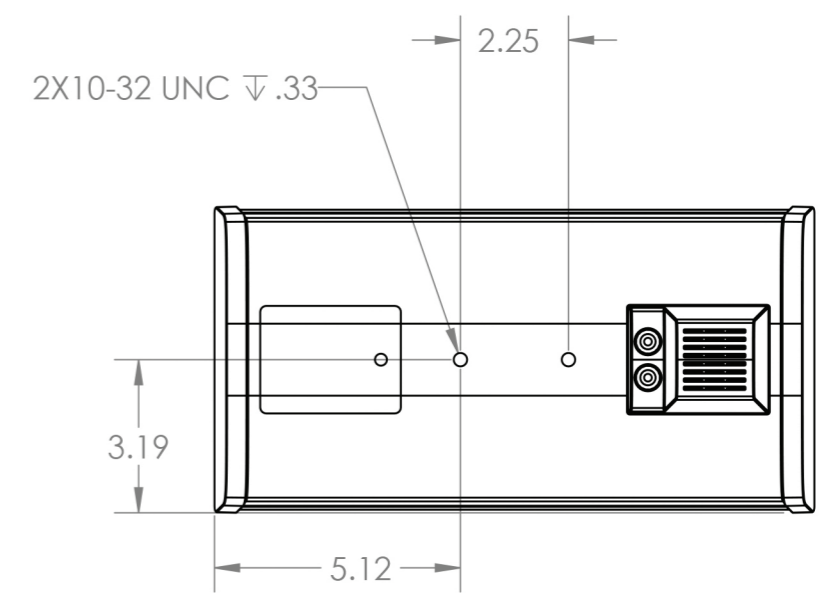
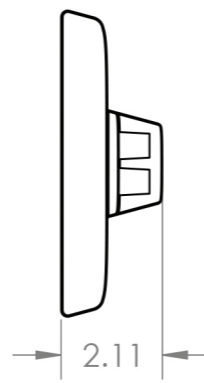
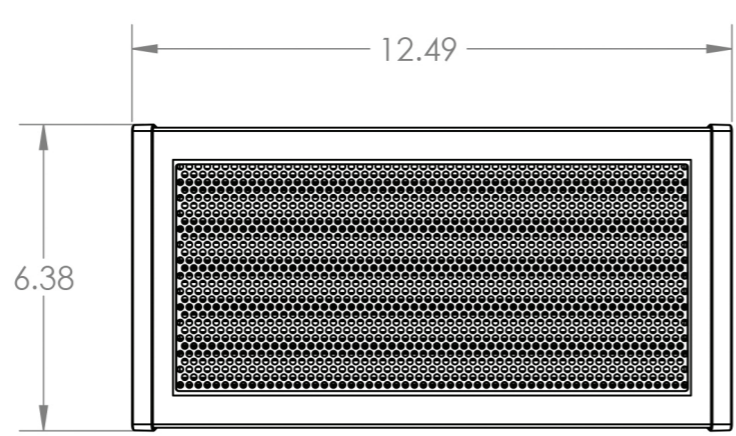


8 7 6 5 4 3 2 1

D
C
B
A

D
C
B
A



PROPRIETARY AND CONFIDENTIAL
THE INFORMATION CONTAINED IN THIS
DRAWING IS THE SOLE PROPERTY OF
HYPER SOUND PRO AUDIO SOLUTIONS. ANY
REPRODUCTION IN PART OR AS A WHOLE
WITHOUT THE WRITTEN PERMISSION OF
HYPER SOUND PRO AUDIO SOLUTIONS IS
PROHIBITED.

		UNLESS OTHERWISE SPECIFIED:		NAME	DATE	HyperSound Pro Audio Solutions	
		DIMENSIONS ARE IN INCHES TOLERANCES: FRACTIONAL ± ANGULAR: MACH ± BEND ± TWO PLACE DECIMAL ± THREE PLACE DECIMAL ±		DRAWN	GC	11/4/2013	TITLE:
		INTERPRET GEOMETRIC TOLERANCING PER:		CHECKED			6x10 Emitter
		MATERIAL		ENG APPR.			Full Assembly
NEXT ASSY	USED ON	PROGRAM		MFG APPR.			SIZE
APPLICATION		DO NOT SCALE DRAWING		Q.A.			DWG. NO.
				COMMENTS:			13-0001-00-00
							REV
							A
							SCALE: 1:4
							WEIGHT:
							SHEET 1 OF 1

8 7 6 5 4 3 2 1