

In-Wall Touch Screen Wall Box—Retrofit Installation Guide

Introduction

This wall box kit provides a wall box (back box) to accommodate the installation of in-wall touch screens. The kit is intended for retrofit where drywall is in place.

Note: If the drywall is not in place, use one of the kits intended for new construction (C4-NWB57C-P or C4-NWB57C-M).

For more information, visit the product pages at ctrl4.co/boxretrom and ctrl4.co/boxretrom.

Supported touch screen models

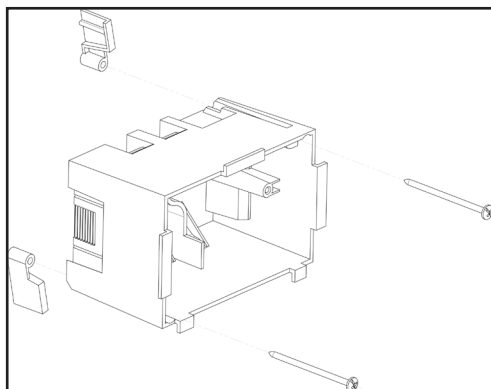
- C4-WALL7 T3-7 7" In-Wall Touch Screen
- C4-WALL10 T3-10 10" In-Wall Touch Screen

Also supports these legacy touch screens:

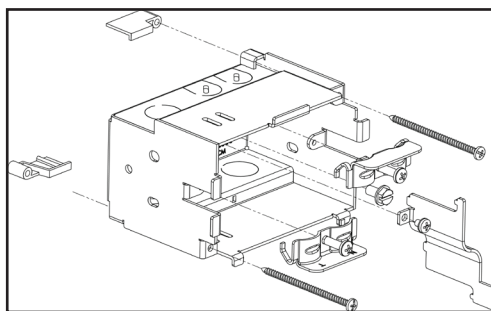
- C4-TSWMC5-EG 5" In-Wall Touch Screen
- C4-TSWMC7-EG 7" In-Wall Touch Screen
- C4-TW7C0 7" In-Wall Touch Screen with Camera

Wall box models

- C4-RWB57C-P (plastic model)



- C4-RWB57C-M Metal Model



Box contents

The following items are included in the kit:

- In-Wall Touch Screen Wall Box - Retrofit
- Mylar wall template
- Ferrite clamps: two rectangular, one round (not used with some touch screens)

Requirements

Tools to cut the drywall and install the wall box, such as:

- Stud finder
- Tape measure
- Pencil
- Level
- Utility knife (with a sharp blade)
- Drywall saw
- Phillips head screwdriver

Warning! Before you install the wall box, ensure that you've turned off the power to the wires that will be attached to the box.

Attention! Avant d'installer le boîtier arrière, assurez vous d'avoir désactivé le pouvoir sur les fils qui seront attachées à la boîte.

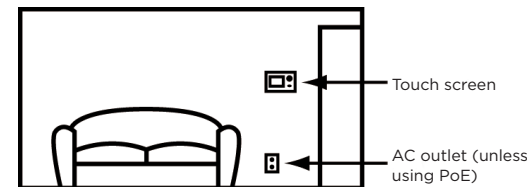
Installing the wall box

Notes: (1) Install the wall box flush with the wall. (2) Wall box dimensions: (H x W x D): 2.7" x 4.1" x 2.4" (68mm x 104mm x 61mm).

To install this wall box:

- Find an appropriate wall box location for the touch screen you are installing:

- The wall box should be in a convenient location, for example, near the entrance of a room.
- The wall box should be at eye level, about 57 to 61 inches (about 1.5 meters) from the floor.



- When using Ethernet or PoE, the wall box should be near a location where an Ethernet CAT5/6 cable is pulled.
- When using AC power, position the wall box above or near an AC power source, such as an AC outlet.

Note: Place the wall box between studs. Do not attempt to install a wall box in front of a wall stud.

- Measure from the floor up to the desired height of the bottom of the device (57 to 61 inches, or about 1.5 meters) and lightly mark the wall with a pencil. Using a level, extend the mark into a light horizontal line that's several inches long.

- Position the template's level line parallel to or covering the horizontal line you drew in Step 2, then carefully tape it into place. This marks the location of the wall box.

- Using your utility knife, in the template cut along the perimeter slots that represent the rectangular box:

a Cut along the edge of each slot.

b Cut through the outer paper of the drywall completely and into the chalk beneath it.

Pay attention to the following when cutting:

- Use a knife with a sharp blade. If the blade is not sharp enough, the outer paper of the drywall may tear.
- Try using light scores first to eliminate damaging the drywall.
- Be as precise as possible. So that the box sits correctly inside the wall, create a hole the correct size for the box.

- Using a drywall saw (keyhole type), puncture a hole through the drywall in the center hole of the template.

Note: Puncture the outer paper of the drywall with the saw's point. While continuing to push gently, rock the saw forward and back until it penetrates the drywall. You do not need to push very hard.

- Saw through the template's diagonal slots to each corner of the perimeter you cut in Step 4.

Warning! Do not cut any wires that may already be inside the drywall.
Attention! Ne pas couper les fils qui peuvent être à l'intérieur de la cloison sèche déjà.

- Remove the template from the wall.

- One at a time, use your thumb to push on each of the triangular drywall quadrants until the drywall snaps along the line you scored around the perimeter in Step 4.

- Using your utility knife, cut loose the remaining paper on the back side of each of the drywall quadrants, and remove the quadrant from the opening.

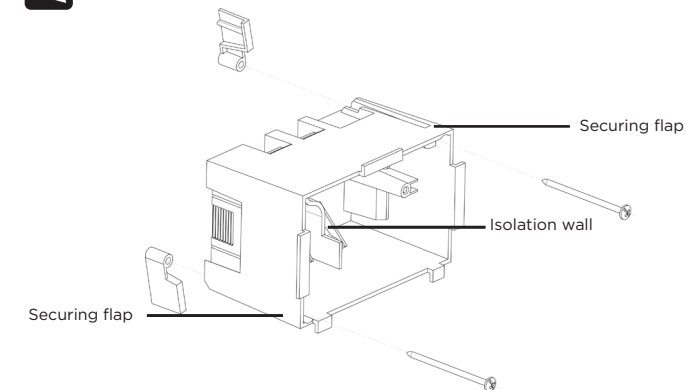
- Clean up any rough edges on the opening using a drywall saw or utility knife.

Important: Do not enlarge the opening beyond the original cut.

- Feed either the AC or PoE wires through a tab in the back of the wall box.

- With the wall box right-side up as indicated by the label on the inside of the wall box, hold the securing flaps flush against the wall box and carefully place the wall box into the opening you created in the wall.

Note: When the box is right-side up, the isolation wall will be slightly offset toward the bottom of the box (plastic model).



- After you've placed the wall box inside the wall, lightly tighten the screws that pull the securing flaps. As you tighten the screws, the flaps will cinch to the box and to the inside of the drywall. With the flanges on the front rim of the wall box, hold it in place on the outside of the drywall.

Note: Do not tighten the screws at this point. Secure the wall box only to the degree that it stays in place in the wall's opening.

- If you are using the metal box model, attach the ground wire to the wall box in the location indicated by the ground symbol.

Warning! Failure to ground the metal wall box properly results in a potentially hazardous condition.
Attention! Défaut à la terre de la boîte de métal convenablement résulte en une situation potentiellement dangereuse.

- Finish tightening the screws that attach the securing flaps and cinch the wall box more tightly to the wall.

Note: Do not overtighten.

Important! Overtightening the securing flaps may damage the drywall and undermine its ability to keep the wall box properly in place, or it may strip the plastic securing flaps and decrease their effectiveness.

Additional resources

The following resources are available for additional support.

- Control4 Knowledgebase and Forums
- Control4 Technical Support
- Control4 website: www.control4.com
- Composer documentation in online help or PDF format available on the dealer portal under Support

Regulatory and safety information

To review regulatory information for your particular Control4 products, see the information located on the Control4 website at: ctrl4.co/reg.

Warranty

Visit www.control4.com/warranty for details.

More help

For the latest version of this document, open this URL or scan the QR code on a device that can view PDFs.

