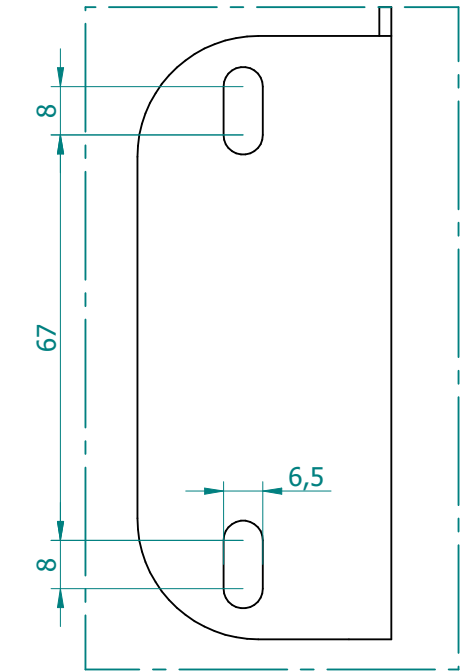
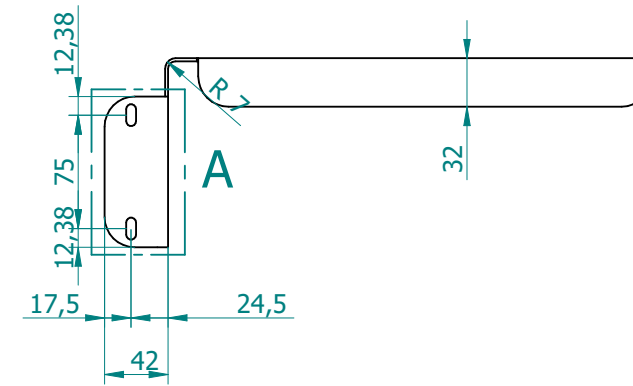
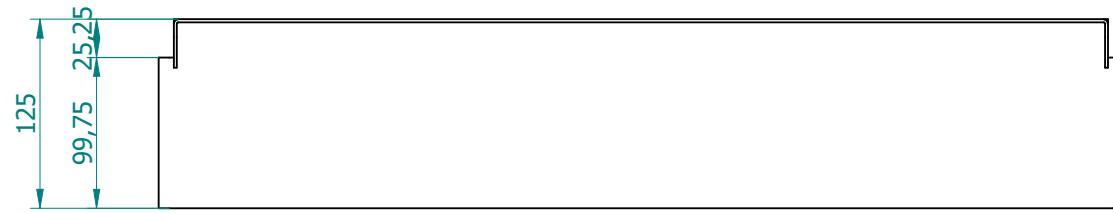
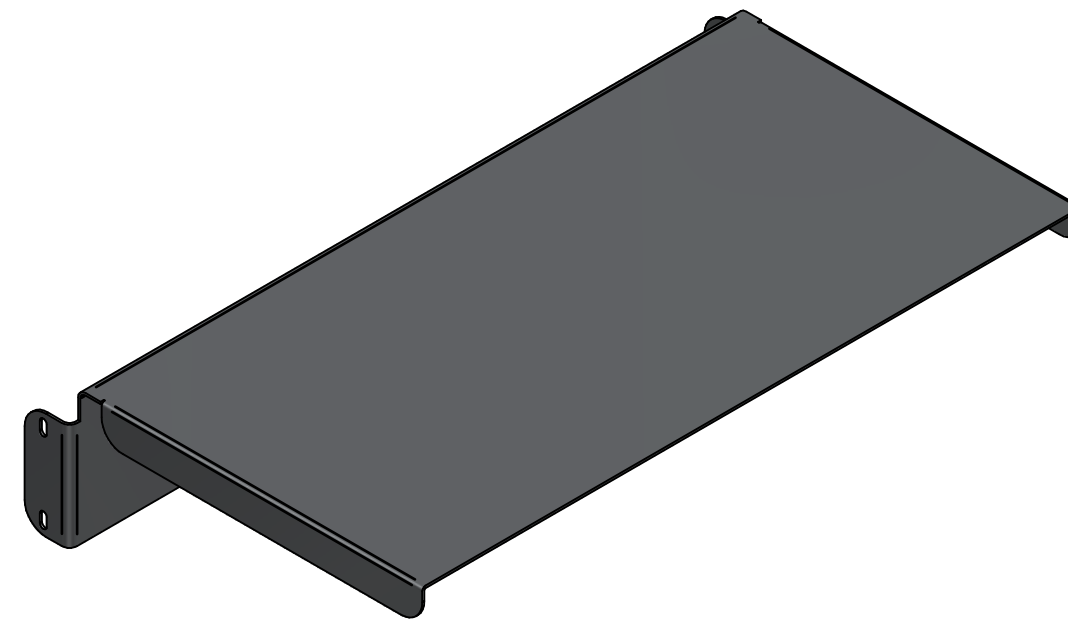
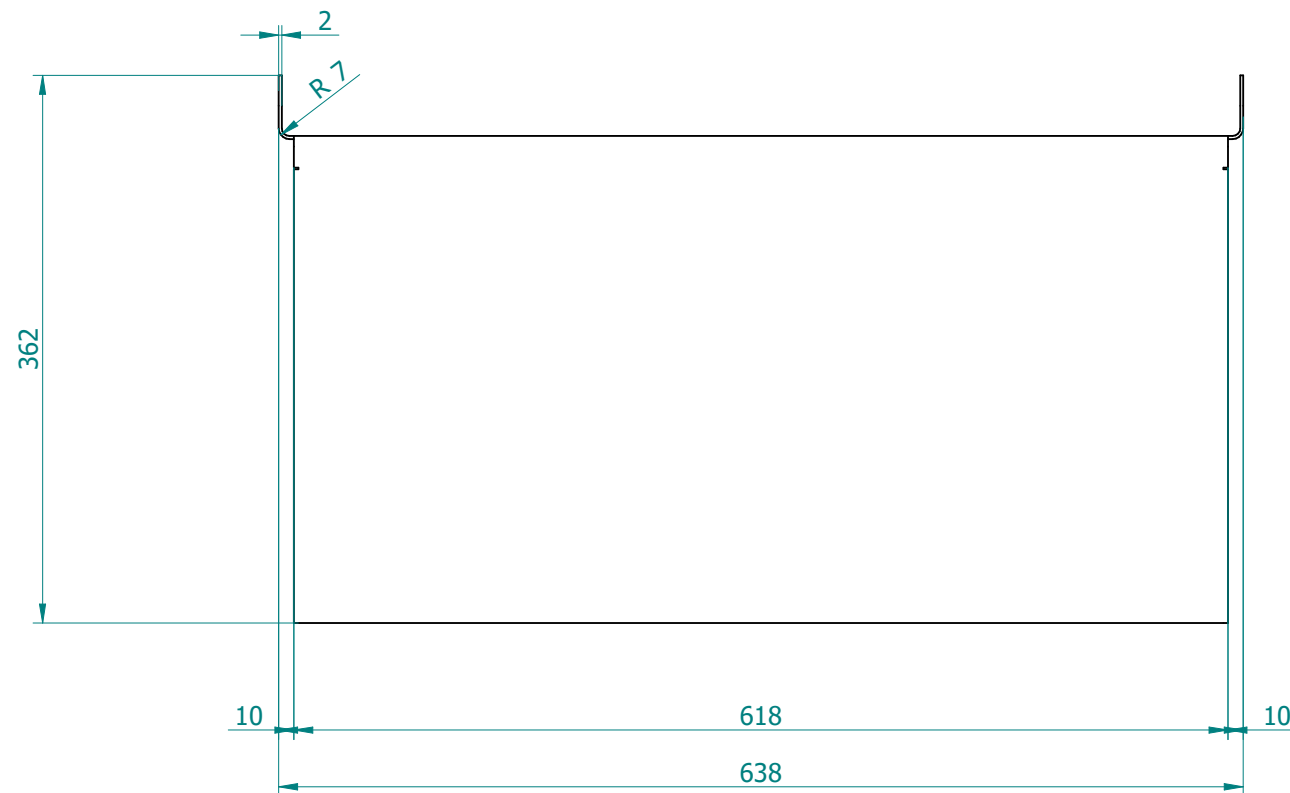



Rev.	Date of issue	Description	Sign
0001	24/02/2021	First edition	S.A.



DETTAGLIO A



1*	04384	Steel - Structural:10037 , S235JR	1
Ref	Code	Material	Q.ty
Chamfers not indicated	Roughness	General tolerances For linear dimensions: ±0,1 mm For angular dimensions: ISO 2768-m	Weight [kg] 4,67 kg
0,5x45°		Created by Santello Andrea	Scale 1/1
 TARGETED TO PROFESSIONALS		Date of issue 24/02/2021	
		Title/Supplementary title Mensola anteriore XXL	
Code name/File name 04384		Paper size A3	Sheet 1\1