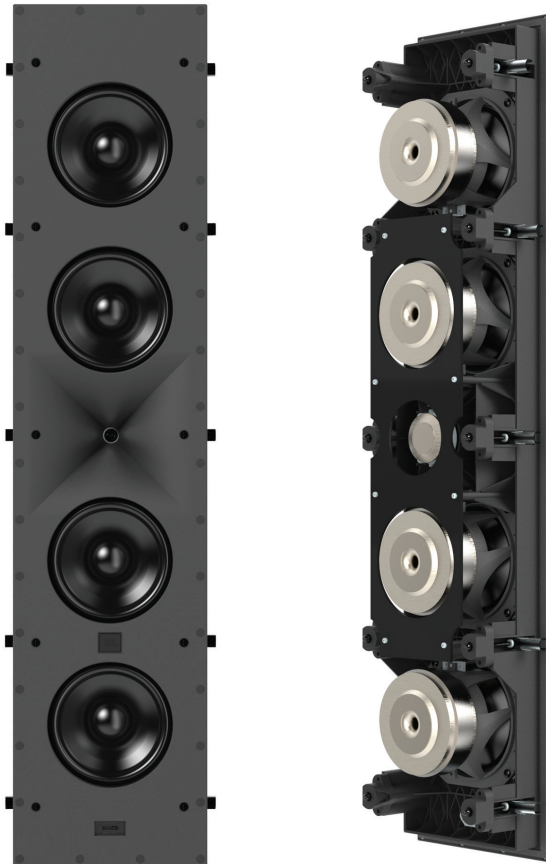


JBL SCL-6

2.5-Way Quadruple 5.25-inch (130mm) In-Wall Loudspeaker

JBL



Highlights:

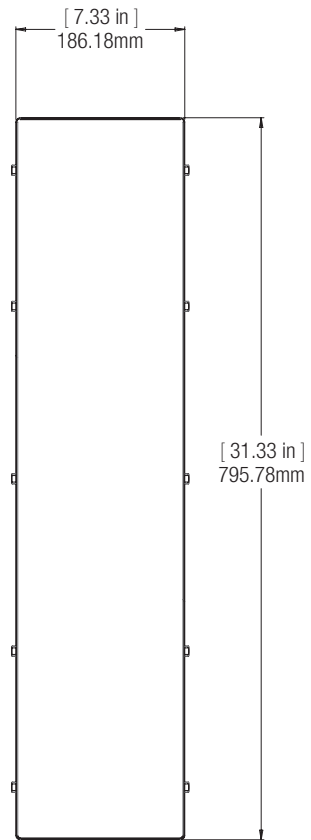
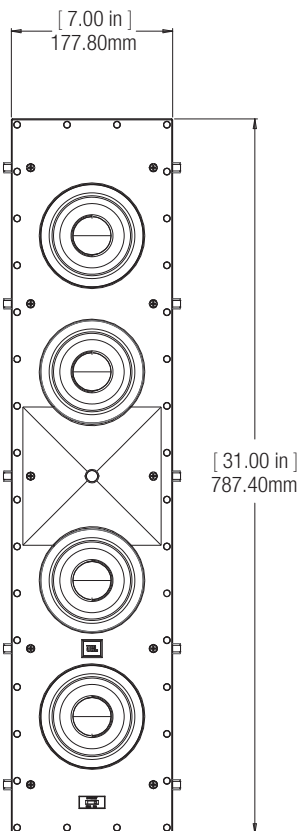
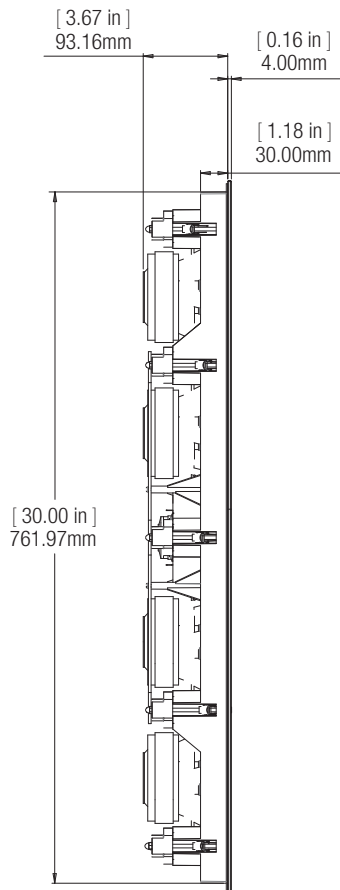
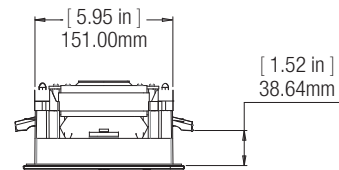
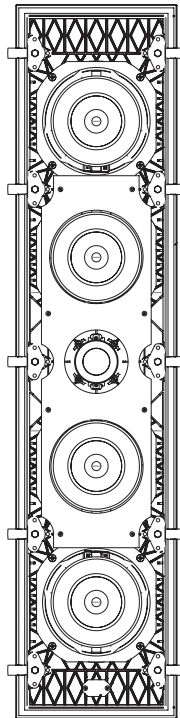
- 2.5-way in-wall loudspeaker system designed for on-axis listening as LCR and surround channels
- 1-inch 2410H-2 compression driver tweeter mated to a JBL patented High-Definition Imaging (HDI™) horn precision molded baffle assembly
- Four 5.25-inch (130mm) Advanced Aluminum Matrix cone cast frame woofers
- Can be mounted vertically or horizontally
- Patented Cat Claw installation mechanism
- Gold plated, spring-loaded binding posts
- Includes paintable zero-bezel, magnetically attached grilles
- Compatible with WB54 pre-construction bracket

General Specifications:

- ▶ Type: 2.5-way in-wall loudspeaker
- ▶ Low Frequency Driver: Four 5.25" (130mm) advanced Aluminum Matrix cone cast-frame woofers (JW13AI-4)
- ▶ High Frequency Driver: 1" (25mm) 2410H-2 Teonex® annular ring-diaphragm compression driver
- ▶ Recommended Amplifier Power: 25 – 200W RMS
- ▶ Impedance: 4 Ohm
- ▶ Loudspeaker Sensitivity: 91 dB/2.83V/1m (2pi anechoic)
- ▶ Frequency Response: 50Hz – 30kHz (-6dB on-axis), 2pi anechoic
- ▶ Crossover Frequency: 1.8kHz
- ▶ High Frequency Coverage Angle (-6dB): 80° Vertical/80° Horizontal, from 2kHz to 17kHz
- ▶ Enclosure Type: Open back
- ▶ Controls: Boundary Proximity Control
- ▶ Grille Dimensions: 7.29" (185mm) x 31.32" (796mm)
- ▶ Product Dimensions (with grille): 7.29" (185mm) x 31.32" (796mm) x 3.82" (97.1mm)
- ▶ Cut-out Dimensions: 5.95" (151mm) x 29.98" (761mm)
- ▶ Rough-in Bracket: WB54
- ▶ Mounting Depth: 3.63" (92mm)
- ▶ Input Type: Gold-plated spring-loaded binding posts
- ▶ Product Weight: 22.2 lbs (10.07kg)
- ▶ Shipping Weight: 25.6 lbs (11.61kg)
- ▶ Shipping Units of Measure: Each
- ▶ Warranty: 5 Years

JBL SCL-6

2.5-Way Quadruple 5.25-inch (130mm) In-Wall Loudspeaker



HARMAN International Industries, Incorporated
8500 Balboa Boulevard, Northridge, CA 91329 USA
www.jblsynthesis.com

© 2021 HARMAN International Industries, Incorporated. All rights reserved. JBL and JBL Synthesis are trademarks of HARMAN International Industries, Incorporated, registered in the United States and/or other countries. Features, specifications and appearance are subject to change without notice.