

QUICK SPECS

JBL SCL-3

JBL

SYNTHESIS[®]
by HARMAN



Features

- Two-way dual 5-1/4-inch / 130mm driver configuration
- 5.7-inch / 146.3mm deep square footprint enclosure
- Can be mounted in any orientation for maximum application flexibility and performance
- Computer optimized HDI constant directivity horn with very smooth and predictable off-axis behavior for wide coverage area
- 1-inch / 25mm (D2409H) annular ring diaphragm polymer compression driver with advanced HDI™ geometry horn
- Powerful cast-frame, advanced aluminum matrix cone woofers with low-distortion neodymium motor structures
- Solid, wood enclosure installs behind drywall and provides optimized acoustic performance
- Network is Bi-Wire and Bi-Amp capable using dual sets of gold-plated binding post speaker terminals
- Zero-bezel, magnetically-attached grille

Specifications

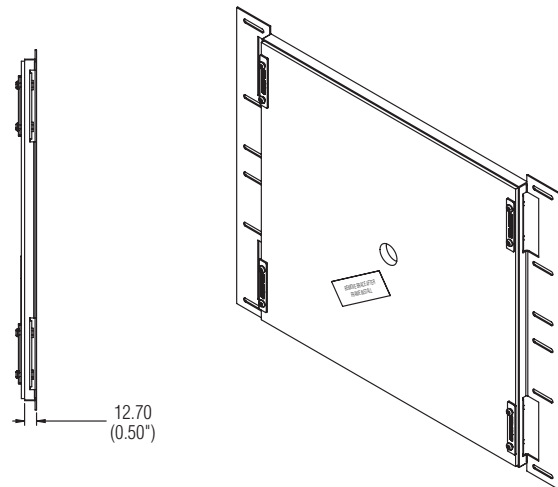
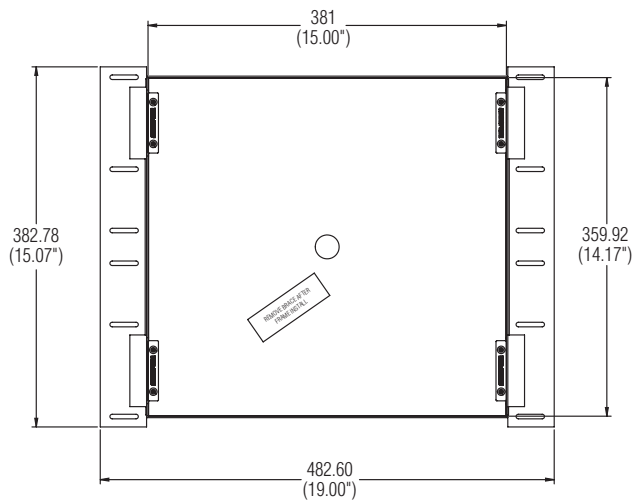
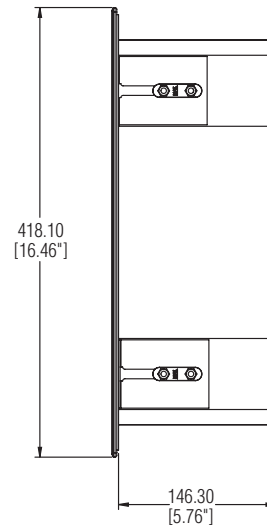
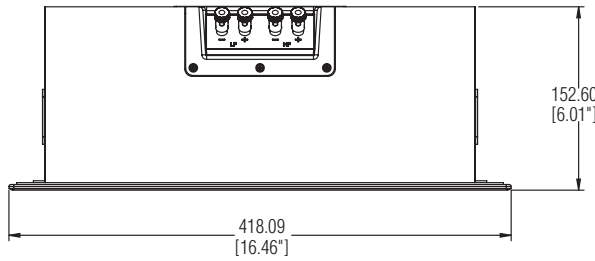
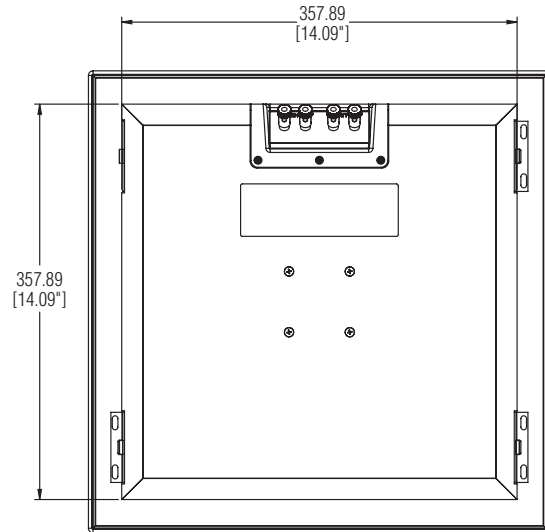
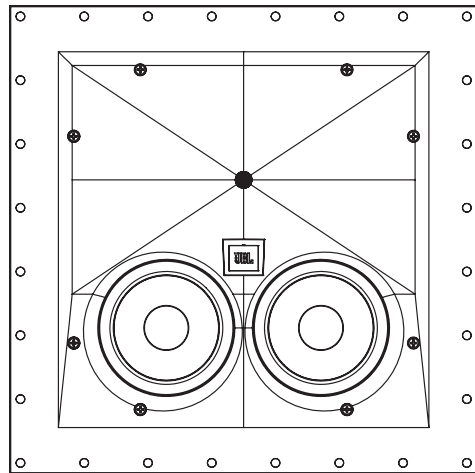
Speaker type	2-way Flush Mount Loudspeaker
Low Frequency Transducer	Dual 5.25" (130mm) cast-frame, advanced aluminum matrix cone woofers
Mid/High Frequency Transducer	1" (25mm) 2409H annular ring diaphragm polymer compression driver
Maximum Recommended Amplifier Power	300 Watts RMS
Frequency Response (-6dB on-axis)	65Hz – 33kHz
Coverage Area (-6dB @ 20kHz)	90 x 60 degrees (Hor x Vert)
Coverage Area (-6dB @ 10kHz)	110 x 90 degrees (Hor x Vert)
Sensitivity (2.83V @ 1m)	91dB
Nominal Impedance	6 Ohm
Crossover Frequency	1.3kHz
Enclosure type	Sealed back box
Inputs	Dual gold-plated binding posts
Dimensions (including grille and back box) (H x W x D)	16.46" x 16.46" x 6.01" (418mm x 418mm x 153mm)
Weight	25.4 lb (11.52kg)
Finishes	Matte black with paintable white grille

QUICK SPECS

JBL SCL-3

JBL

SYNTHESIS[®]
by HARMAN



Part Number: SCL-3PCB
Description: New-Construction Bracket for SCL-3
Dimensions (including grille and back box):
16.46" x 16.46" x 6.01" (418mm x 418mm x 153mm)

