

Support

If you need help, email TechSupport@SnapAV.com. For more information, instructional videos, support documentation, or ideas, visit our website.

5-Year Limited Warranty

This Luma Surveillance™ product has a 5-Year Limited Warranty. This warranty includes parts and labor repairs on all components found to be defective in material or workmanship under normal conditions of use. This warranty shall not apply to products that have been abused, modified or disassembled. Products to be repaired under this warranty must be returned to a designated service center with an assigned return authorization (RA) number. Contact technical support for an RA number.

Copyright ©2018 Luma Surveillance. All rights reserved.

Version 180611-0945

Flush Mount Surveillance Accessory for Bullet Cameras

Installation Manual

Compatibility

Designed to simplify installation, this mount fits a **low voltage single gang bracket**. It can be used with all Luma Surveillance bullet cameras.

Introduction

Before you start, ensure that the hardware is in good condition and all assembly parts are included.

Check that the mounting surface is strong enough to withstand three times the weight of the mount and camera.

Take care that all equipment is powered off during installation.

If the product does not assemble properly, contact technical support.

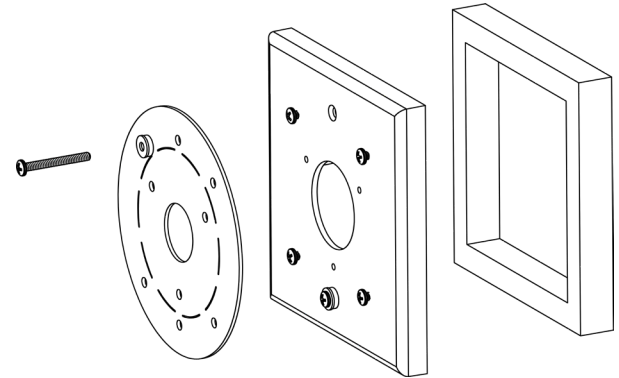
Box Contents

- Wall plate adapter
- Flexible foam seal
- Circular silicone gasket
- 2 × neoprene washers
- 4 × 3/8" screws
- 2 × 1.25" screws

You must supply a Phillips screwdriver for installation.

Attach the Camera

- Place the flexible foam seal over the single-gang bracket.
- If you are installing a mini bullet, carefully cut away the outer ring and use only the inner ring.



- Run the wires from the installation position through the foam seal, the wall plate adapter, and the silicone gasket.
- Connect the wires to the camera's pigtail. Slide the wires back into the bracket.
- Slip the neoprene washers over the two 1.25" screws, then use those screws to secure the wall plate adapter to the bracket. Ensure the foam seal is properly positioned.
- Secure the camera base to the wall plate adapter using the 3/8" screws. Ensure the silicone gasket is properly positioned between the base and the adapter. The 100-series analog and 300-series IP bullets use three screws; other models use all four.

Weatherproofing

Add a bead of silicone around the edges of the mount (both the wall and the camera) and fill all exposed screw holes.