

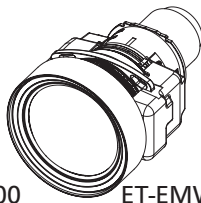
## Operating Instructions

Zoom Lens **Commercial Use**

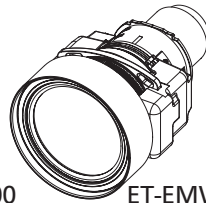
Model No. ET-EMW200 / ET-EMW300 / ET-EMW400 /  
ET-EMW500 / ET-EMS600 / ET-EMT700 /  
ET-EMT800 / ET-EMU100



ET-EMW200



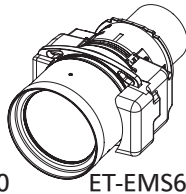
ET-EMW300



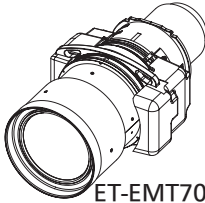
ET-EMW400



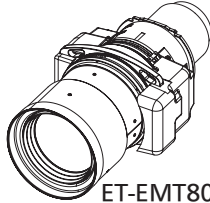
ET-EMW500



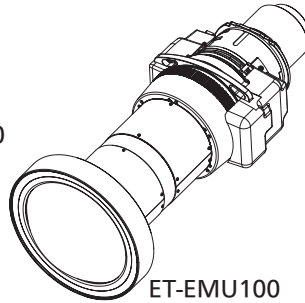
ET-EMS600



ET-EMT700



ET-EMT800



ET-EMU100

ENGLISH

FRANÇAIS

日本語

Thank you for purchasing this Panasonic product.

- To ensure correct use of this lens, please read the operating instructions supplied with the lens and the projector carefully.
- **Before using this product, be sure to read “Read this first!” (▶ Page 3).**
- Please save this manual for future use.

# Contents

<b>Read this first!</b> .....	<b>3</b>
<b>Before Use</b> .....	<b>4</b>
<b>Preparation</b> .....	<b>5</b>
Before replacing the projection lens .....	5
Attaching the Lens / Detaching the Lens.....	5
Peripheral focus adjustment function .....	6
Lens calibration .....	6
<b>Projection relationships</b> .....	<b>7</b>
<b>Lens shift ranges</b> .....	<b>8</b>
<b>Specifications</b> .....	<b>10</b>
<b>Dimensions</b> .....	<b>10</b>
<b>Projected image size and Projection distance</b> .....	<b>Appendix / Annexe / 付録 1</b>
The "Appendix" can be found after the Japanese language section ( <b>日本語</b> ).	

## WARNING:

**Do not look at or place your skin into the light emitted from the lens while the projector is being used.**

Doing so can cause burns or loss of sight.

- Strong light is emitted from the projector's lens. Do not look at or place your hands directly into this light.
- Turn off the power when moving away from the projection lens or projector.

**Do not project an image with the lens cover attached.**

- Doing so can cause fire.

**Do not allow children to reach the lens fixing screw.**

Accidentally swallowing them can cause physical harm.

- If swallowed, seek medical advice immediately.

## CAUTION:

**Before replacing the projection lens, be sure to turn off the power and disconnect the power plug from the wall outlet.**

- Unexpected projection of light may cause injury to eyes.
- Replacing the projection lens without removing the power plug may result in electric shock.

**Do not stand in front of the lens while the projector is being used.**

Doing so can cause damage and burns to clothing.

- Strong light is emitted from the projector's lens.

**Do not place objects in front of the lens while the projector is being used.**

Doing so can cause fire, damage to the object, or malfunction of the lens and projector.

- Strong light is emitted from the projector's lens.

**Do not open the desiccant bag. Do not eat the contents.**

Inadvertently ingesting desiccant could be harmful.

- If the desiccant gets into your eyes or mouth, immediately rinse with plenty of water and seek medical attention.
- Keep desiccant out of the reach of children.

# Before Use

## Supported projectors

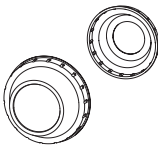
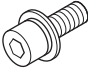
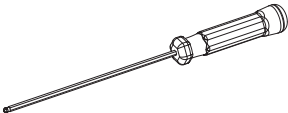
PT-MZ16K / PT-MZ13K / PT-MZ10K

### Note

- This manual omits the alphabets at the end of projector model numbers.
- Models other than the above may also be supported. Refer to the operating instructions for your projector or the Panasonic website (<https://panasonic.net/cns/projector/>).

## Supplied Accessories

Make sure that the following has been provided.

Part name	Appearance (quantity)
Lens cover	 <ul style="list-style-type: none"><li>● The product is delivered with lens covers attached.</li><li>● The shape and size of the lens covers are different for each product.</li></ul> 1 each for front and rear
Lens fixing screw (DPHD1008ZA/X1)	 <ul style="list-style-type: none"><li>● Supplied only with the ET-EMU100.</li><li>● Used when attaching the projection lens to the projector.</li></ul> x4
Hex driver	 <ul style="list-style-type: none"><li>● Supplied only with the ET-EMU100.</li><li>● Used when attaching the projection lens to the projector.</li></ul> x1

# Preparation

## Before replacing the projection lens

Return the projection lens to the home position before replacing or removing it. For details on how to return the lens to the home position, refer to the operating instructions of the projector.

### Attention

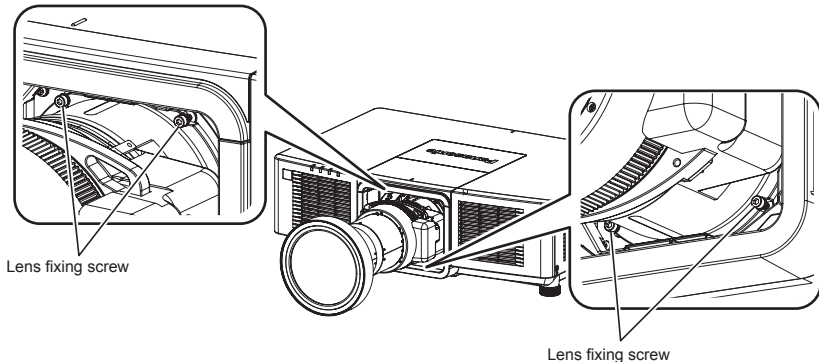
- Make sure that the projector power supply is switched off before attaching or detaching the projection lens.
- After removing the projection lens, store it safely away from vibration or impacts.
- Do not touch the electric contact points of the projection lens with your fingers. Dust and dirt on the contacts may cause contact malfunctions, while static electricity may damage the unit.
- Do not turn the gear (ring) part of the projection lens barrel by hand. Doing so may damage the motor.
- Do not touch the surface of the lens with bare hands. Finger prints and dirt on the surface of the lens will be magnified by the lens and lower the quality of the projected image. Place the supplied lens cover on the zoom lens when the projector is not in use.
- The lens is made of glass. The lens could be damaged if brought into contact with or rubbed against hard objects. Handle the lens carefully.
- Use a clean, soft and dry cloth to wipe away dust and dirt from the projection lens. Do not use fluffy cloths containing oil, water or dust for cleaning. The lens is easily damaged, so do not apply excessive pressure when wiping it.

## Attaching the Lens / Detaching the Lens

For details on attaching or removing the projection lens, refer to the operating instructions for the projector.

### Attention

- When attaching the ET-EMU100 to the projector, fix it in place using the lens fixing screws (x4) supplied with the ET-EMU100 as shown in the figure below to stabilize focus performance.
- Use the hex driver supplied with the ET-EMU100 to tighten the lens fixing screws.



## Preparation (continued)

### Peripheral focus adjustment function

When you change the size of the projected image, the focal balance between the center and peripheral areas of the screen may shift.

The ET-EMW200 / ET-EMW300 / ET-EMW400 / ET-EMW500 / ET-EMU100 is equipped with a peripheral focus adjustment function to correct the shift in focal balance between the center and peripheral areas of the screen.

For instructions on adjusting the peripheral focus, refer to “Projecting” in the operating instructions for the projector.

### Lens calibration

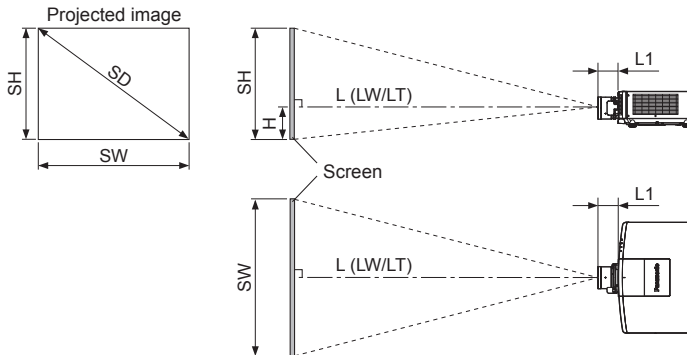
Perform lens calibration after attaching the lens.

For instructions on lens calibration, refer to “Projecting” in the operating instructions for the projector.

# Projection relationships

The dimensional relationship between the screen and the projector is shown below.

## ■ Dimensional relationship diagram



### Note

- This diagram assumes that the size and position of the projected image will be adjusted so that the image fills the entire screen.
- This illustration is not drawn to scale.

L		Projection distance
	LW	Minimum distance
	LT	Maximum distance
L1		Lens protrusion dimension
SH		Projected image height
H		Distance from the lens center to the lower edge of the projected image
SW		Projected image width
SD		Projected image size

### ● Dimension for L1 (approximate values)

(Unit: m)

Projector model	ET-EMW200	ET-EMW300	ET-EMW400	ET-EMW500	ET-EMS600	ET-EMT700	ET-EMT800	ET-EMU100
PT-MZ16K / PT-MZ13K / PT-MZ10K	0.152	0.121	0.121	0.122	0.117	0.167	0.172	0.346

### Note

- The illustrations of projectors in this manual are for informational purposes only and do not represent a specific projector model. Configurations may vary with the model.

### Attention

- To prevent blocking of the intake and exhaust vents, maintain clearances from walls and objects of at least 1 000 mm (3'3") for the exhaust vent and at least 500 mm (1'8") for the intake vent.
- Avoid setting up in places which are subject to sudden temperature changes, such as near an air conditioner or lighting equipment (studio lamps, etc.).

# Projection relationships (continued)

## Dimensional relationship

For details on the projection distance (L), refer to “Projected image size and Projection distance” and “Projection distance formulas” in the Appendix.

### Note

- For details on “Projected image size and Projection distance” for projector models other than PT-MZ16K / PT-MZ13K / PT-MZ10K, refer to “Setting up” in the operating instructions of the projector.

## Lens shift ranges

Perform the lens position shift within the adjustment range.

Perform lens shift adjustment within the ranges shown in the following illustrations.

The focus may change when the lens position is shifted out of the adjustment range.

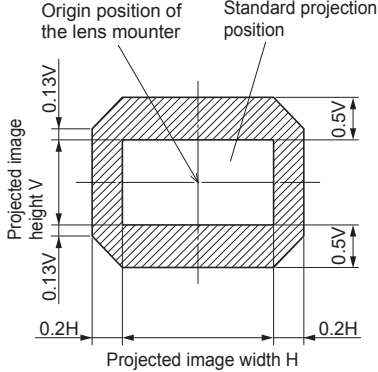
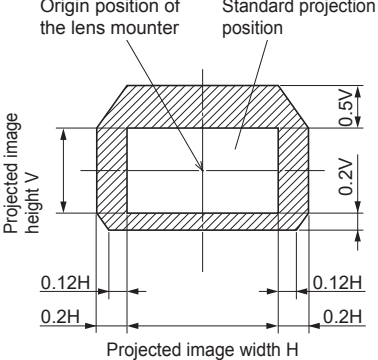
This is because the movement of the lens is restricted to protect the optical parts.

Projection position can be adjusted with the optical axis shift based on the home position in the respective range.

<p>ET-EMW400 / ET-EMW500 / ET-EMS600 / ET-EMT700 / ET-EMT800</p>	<p>Origin position of the lens mounter      Standard projection position</p> <p>Projected image height <math>V</math></p> <p>Projected image width <math>H</math></p> <p>0.28V</p> <p>0.28V</p> <p>0.6V</p> <p>0.6V</p> <p>0.2H</p> <p>0.2H</p>
<p>ET-EMW200</p>	<p>Origin position of the lens mounter      Standard projection position</p> <p>Projected image height <math>V</math></p> <p>Projected image width <math>H</math></p> <p>0.4V</p> <p>0.4V</p> <p>0.19H</p> <p>0.19H</p>



## Lens shift ranges (continued)

<p>ET-EMW300</p>	 <p>Origin position of the lens mounter</p> <p>Standard projection position</p> <p>Projected image height <math>V</math></p> <p>Projected image width <math>H</math></p> <p><math>0.13V</math></p> <p><math>0.5V</math></p> <p><math>0.2H</math></p> <p><math>0.5V</math></p>
<p>ET-EMU100</p>	 <p>Origin position of the lens mounter</p> <p>Standard projection position</p> <p>Projected image height <math>V</math></p> <p>Projected image width <math>H</math></p> <p><math>0.12H</math></p> <p><math>0.2H</math></p> <p><math>0.5V</math></p> <p><math>0.2V</math></p> <p><math>0.12H</math></p>

### Note

- The home position of the projector a point of origin position for the lens shift (i.e., vertical and horizontal positions of the lens) based on the results of lens calibration. It is not the optical center position of the screen.

# Specifications

Check the specifications of each projection lens, and use the appropriate lens for your intended use.

Model No.	ET-EMW200	ET-EMW300	ET-EMW400	ET-EMW500
F value	1.84 - 2.14	1.84 - 2.24	1.84 - 2.24	1.80 - 2.35
Focal Length (f)	10.80 mm (7/16") - 12.52 mm (1/2")	12.31 mm (1/2") - 15.43 mm (19/32")	15.30 mm (19/32") - 21.10 mm (27/32")	21.08 mm (27/32") - 30.00 mm (1-3/16")
Dimensions	Width	179 mm (7-1/16")	179 mm (7-1/16")	179 mm (7-1/16")
	Height	175 mm (6-7/8")	175 mm (6-7/8")	175 mm (6-7/8")
	Depth	314 mm (12-3/8")	284 mm (11-3/16")	284 mm (11-3/16")
Net Weight	5.20 kg (11.46 lb)	5.20 kg (11.46 lb)	5.05 kg (11.13 lb)	5.15 kg (11.35 lb)

Model No.	ET-EMS600	ET-EMT700	ET-EMT800	ET-EMU100
F value	1.75 - 2.17	1.82 - 2.53	1.85 - 2.39	1.9
Focal Length (f)	29.90 mm (1-3/16") - 46.32 mm (1-13/16")	46.00 mm (1-13/16") - 90.50 mm (3-9/16")	90.30 mm (3-9/16") - 162.60 mm (6-13/32")	7.23 mm (9/32") - 7.73 mm (5/16")
Dimensions	Width	173 mm (6-13/16")	173 mm (6-13/16")	173 mm (6-13/16")
	Height	130 mm (5-1/8")	130 mm (5-1/8")	130 mm (5-1/8")
	Depth	267 mm (10-1/2")	327 mm (12-7/8")	334 mm (13-5/32")
Net Weight	3.60 kg (7.94 lb)	4.55 kg (10.03 lb)	4.75 kg (10.47 lb)	7.20 kg (15.87 lb)

# Dimensions

(Unit: mm)

Model number	Dimensions
ET-EMW200	

# Dimensions (continued)

(Unit: mm)

Model number	Dimensions
ET-EMW300	<p>179 (7-1/16")  <math>\phi 175</math> (6-7/8")            284 (11-3/16")            91 (3-19/32")            82 (3-7/32")</p>
ET-EMW400	<p>179 (7-1/16")  <math>\phi 175</math> (6-7/8")            284 (11-3/16")            91 (3-19/32")            82 (3-7/32")</p>
ET-EMW500	<p>179 (7-1/16")  <math>\phi 175</math> (6-7/8")            285 (11-7/32")            91 (3-19/32")            82 (3-7/32")</p>

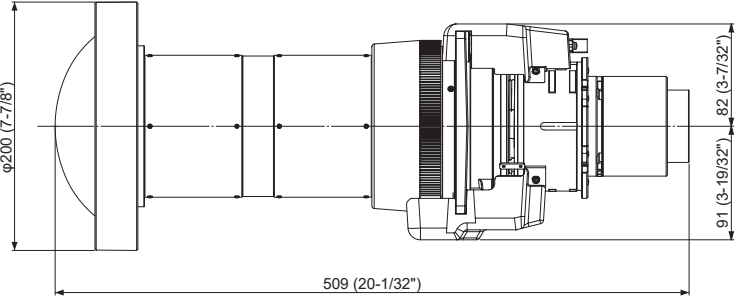
# Dimensions (continued)

(Unit: mm)

Model number	Dimensions
ET-EMS600	<p>173 (6-13/16")  <math>\phi 130</math> (5-1/8")            267 (10-1/2")            91 (3-19/32")            82 (3-7/32")</p>
ET-EMT700	<p>173 (6-13/16")  <math>\phi 130</math> (5-1/8")            327 (12-7/8")            91 (3-19/32")            82 (3-7/32")</p>
ET-EMT800	<p>173 (6-13/16")  <math>\phi 130</math> (5-1/8")            334 (13-5/32")            91 (3-19/32")            82 (3-7/32")</p>

# Dimensions (continued)

(Unit: mm)

Model number	Dimensions
ET-EMU100	 <p>The technical drawing illustrates the ET-EMU100 camera lens with the following dimensions:</p> <ul style="list-style-type: none"><li>Front diameter: <math>\phi 200</math> (7-7/8")</li><li>Total length: 509 (20-1/32")</li><li>Mounting flange diameter (top): 91 (3-19/32")</li><li>Mounting flange diameter (bottom): 82 (3-7/32")</li></ul>

### Information for users in the European Union

Importer's name and address within the European Union  
Panasonic Marketing Europe GmbH  
Panasonic Testing Centre  
Winsbergring 15, 22525 Hamburg, Germany

### Disposal of Old Equipment

#### Only for European Union and countries with recycling systems



This symbol on the products, packaging, and/or accompanying documents means that used electrical and electronic products must not be mixed with general household waste. For proper treatment, recovery and recycling of old products, please take them to applicable collection points in accordance with your national legislation.

By disposing of them correctly, you will help to save valuable resources and prevent any potential negative effects on human health and the environment.

For more information about collection and recycling, please contact your local municipality. Penalties may be applicable for incorrect disposal of this waste, in accordance with national legislation.

#### Information on Disposal in other Countries outside the European Union

This symbol is only valid in the European Union.

If you wish to discard this product, please contact your local authorities or dealer and ask for the correct method of disposal.

### Product Information (for Turkey only)



AEEE Yönetmeliğine Uygundur.

Eski Ekipman ve Bataryaların İşlenmesi.

Sadece geri dönüşüm sistemleri olan Avrupa Birliği ve ülkeleri için geçerlidir.

Ürünler, ambalaj ve/veya ekli belgeler üzerindeki bu semboller kullanılmış elektrik ve elektronik ürünlerin genel ev atığı ile karıştırılmaması gerektiğini ifade eder.

Eski ürünlerin toplanması ve geri kazanılması için bu atıklar lütfen yasayla belirlenmiş olan uygun toplama merkezlerine teslim ediniz.

Bu atıkların doğru işlenmesiyle, değerli kaynakların korunmasına ve insan sağlığı ve çevreye olası negatif etkilerinin engellenmesine yardımcı olabilirsiniz.

Atıkların toplanması ve geri dönüşümü için detaylı bilgi için lütfen bağlı olduğunuz yerel yönetimlerle iletişime geçiniz.

Atıkların atılmasıyla ilgili yanlış uygulamalar yasayla belirlenmiş olan cezalara sebebiyet verebilir.

### Environment care information for users in China



This symbol is only valid in China.

# Panasonic Corporation

Web Site : <https://panasonic.net/cns/projector/>

© Panasonic Corporation 2019

## Panasonic System Solutions Company of North America

Two Riverfront Plaza, Newark, NJ 07102

TEL: (877) 803 - 8492

## Panasonic Canada Inc.

5770 Ambler Drive, Mississauga, Ontario L4W 2T3

TEL: (905) 624 - 5010

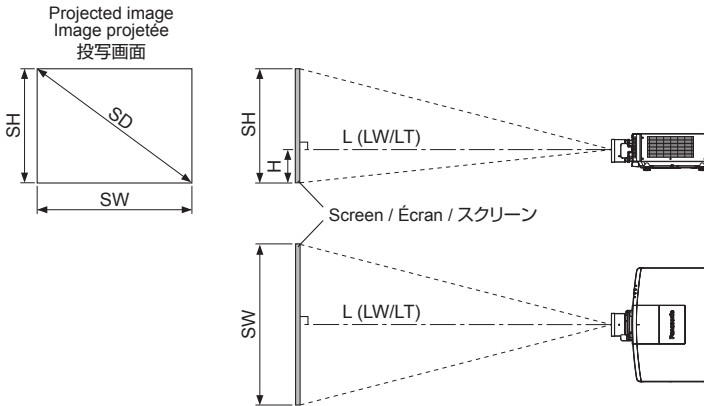
SS1119AM2071 -PS

Printed in Japan

# Appendix / Annexe / 付録

- Dimensional relationship
- Relations dimensionnelles
- 投写関係寸法

The dimensional relationship between the screen and the projector is shown below.  
 Les relations dimensionnelles entre l'écran et le projecteur sont indiquées ci-dessous.  
 スクリーンとプロジェクター間の投写関係寸法は下記の通りです。



L		Projection distance / Distance de projection / 投写距離
	LW	Minimum distance / Distance minimale / 最短投写距離
	LT	Maximum distance / Distance maximale / 最長投写距離
SH		Projected image height / Hauteur de l'image projetée / 投写画面高さ
H		Distance from the lens center to the lower edge of the projected image Distance du centre de l'objectif au bord inférieur de l'image projetée レンズセンター～スクリーン下端
SW		Projected image width / Largeur de l'image projetée / 投写画面幅
SD		Projected image size / Taille de l'image projetée / 投写画面対角

## Appendix / Annexe / 付録 (continued / suite / つづき)

- Projected image size and Projection distance
- Taille de l'image projetée et distance de projection
- 投写画面サイズと投写距離

### Note

- When using projector models other than the following, refer to "Setting up" in the operating instructions of the projector.  
In addition, be sure to check the diagonal screen size SD (m), and use the "Projection distance formulas" (🔍 Appendix page 10) to determine the projection distance (L).

### Remarque

- Lorsque vous utilisez des modèles de projecteur différents des modèles suivants, consultez "Installation" dans le mode d'emploi du projecteur.  
De plus, assurez-vous de vérifier la taille de l'écran en diagonale SD (m) et d'utiliser la "Formules de distance de projection" (🔍 Annexe page 10) pour déterminer la distance de projection (L).

### お知らせ

- 下記以外のプロジェクターをご使用の場合は、プロジェクターの取扱説明書「設置する」をご覧ください。または、画面対角サイズ SD (m) をご確認のうえ、「投写距離計算式」(🔍 付録 10 ページ) で投写距離 (L) を求めてください。

Projectors / Projecteurs / プロジェクター

PT-MZ16K / PT-MZ13K / PT-MZ10K

The dimensions of the following table contain a slight error.

Periods are used to represent decimal points in the calculation formulas in the following table.

Les dimensions du tableau suivant peuvent présenter un léger écart.

Les points sont utilisés pour indiquer les décimales dans les formules de calcul dans le tableau suivant.

次の表内の寸法は若干の誤差があります。



# Appendix / Annexe / 付録 (continued / suite / つづき)

- When the screen aspect ratio is 16:10
- Lorsque le rapport d'aspect de l'écran est 16:10
- 画面アスペクト比 16 : 10 のとき

(Unit / Unités / 単位 : m)

Lens model / Modèle d' objectif / 投写レンズ品番			ET-EMS600			ET-EMW200		
Throw ratio / Rapport de projection / スローレシオ			1.35 - 2.10:1			0.480 - 0.550 :1		
SD	SH	SW	LW	LT	H	LW	LT	H
2.03 (80")	1.077	1.723	2.30	3.64	-0.11 - 1.18	0.81	0.95	0.11 - 0.97
2.29 (90")	1.212	1.939	2.59	4.10	-0.12 - 1.34	0.91	1.07	0.12 - 1.09
2.54 (100")	1.346	2.154	2.89	4.56	-0.13 - 1.48	1.03	1.19	0.13 - 1.21
3.05 (120")	1.615	2.585	3.47	5.49	-0.16 - 1.78	1.23	1.44	0.16 - 1.45
3.81 (150")	2.019	3.231	4.35	6.87	-0.20 - 2.22	1.55	1.81	0.20 - 1.82
5.08 (200")	2.692	4.308	5.82	9.17	-0.27 - 2.96	2.08	2.44	0.27 - 2.42
6.35 (250")	3.365	5.385	7.29	11.47	-0.34 - 3.70	2.62	3.06	0.34 - 3.03
7.62 (300")	4.039	6.462	8.76	13.78	-0.40 - 4.44	3.15	3.68	0.40 - 3.63
8.89 (350")	4.712	7.539	10.23	16.08	-0.47 - 5.18	3.68	4.30	0.47 - 4.24
10.16 (400")	5.385	8.616	11.69	18.38	-0.54 - 5.92	4.21	4.92	0.54 - 4.85
12.70 (500")	6.731	10.770	14.63	22.99	-0.67 - 7.40	5.28	6.16	0.67 - 6.06

Lens model / Modèle d' objectif / 投写レンズ品番			ET-EMW300			ET-EMW400		
Throw ratio / Rapport de projection / スローレシオ			0.550 - 0.690:1			0.690 - 0.950:1		
SD	SH	SW	LW	LT	H	LW	LT	H
2.03 (80")	1.077	1.723	0.93	1.19	0.00 - 1.08	1.17	1.64	-0.11 - 1.18
2.29 (90")	1.212	1.939	1.05	1.34	0.00 - 1.21	1.32	1.85	-0.12 - 1.34
2.54 (100")	1.346	2.154	1.18	1.49	0.00 - 1.35	1.48	2.06	-0.13 - 1.48
3.05 (120")	1.615	2.585	1.41	1.80	0.00 - 1.62	1.78	2.48	-0.16 - 1.78
3.81 (150")	2.019	3.231	1.78	2.26	0.00 - 2.02	2.24	3.12	-0.20 - 2.22
5.08 (200")	2.692	4.308	2.38	3.02	0.00 - 2.69	3.00	4.17	-0.27 - 2.96
6.35 (250")	3.365	5.385	2.99	3.79	0.00 - 3.37	3.76	5.23	-0.34 - 3.70
7.62 (300")	4.039	6.462	3.60	4.56	0.00 - 4.04	4.52	6.28	-0.40 - 4.44
8.89 (350")	4.712	7.539	4.20	5.32	0.00 - 4.71	5.28	7.34	-0.47 - 5.18
10.16 (400")	5.385	8.616	4.81	6.09	0.00 - 5.38	6.05	8.39	-0.54 - 5.92
12.70 (500")	6.731	10.770	6.02	7.62	0.00 - 6.73	7.57	10.50	-0.67 - 7.40

# Appendix / Annexe / 付録 (continued / suite / つづき)

(Unit / Unités / 単位 : m)

Lens model / Modèle d' objectif / 投写レンズ品番			ET-EMW500			ET-EMT700		
Throw ratio / Rapport de projection / スローレシオ			0.950 - 1.36:1			2.10 - 4.14:1		
SD	SH	SW	LW	LT	H	LW	LT	H
2.03 (80")	1.077	1.723	1.61	2.34	-0.11 - 1.18	3.55	7.15	-0.11 - 1.18
2.29 (90")	1.212	1.939	1.82	2.64	-0.12 - 1.34	4.01	8.05	-0.12 - 1.34
2.54 (100")	1.346	2.154	2.03	2.93	-0.13 - 1.48	4.50	8.90	-0.13 - 1.48
3.05 (120")	1.615	2.585	2.44	3.53	-0.16 - 1.78	5.38	10.77	-0.16 - 1.78
3.81 (150")	2.019	3.231	3.07	4.43	-0.20 - 2.22	6.75	13.49	-0.20 - 2.22
5.08 (200")	2.692	4.308	4.11	5.92	-0.27 - 2.96	9.04	18.03	-0.27 - 2.96
6.35 (250")	3.365	5.385	5.15	7.42	-0.34 - 3.70	11.33	22.56	-0.34 - 3.70
7.62 (300")	4.039	6.462	6.19	8.91	-0.40 - 4.44	13.61	27.09	-0.40 - 4.44
8.89 (350")	4.712	7.539	7.23	10.40	-0.47 - 5.18	15.90	31.63	-0.47 - 5.18
10.16 (400")	5.385	8.616	8.27	11.90	-0.54 - 5.92	18.19	36.16	-0.54 - 5.92
12.70 (500")	6.731	10.770	10.34	14.89	-0.67 - 7.40	22.76	45.22	-0.67 - 7.40

Lens model / Modèle d' objectif / 投写レンズ品番			ET-EMT800			ET-EMU100		
Throw ratio / Rapport de projection / スローレシオ			4.14 - 7.40:1			0.330 - 0.353:1		
SD	SH	SW	LW	LT	H	LW	LT	H
2.03 (80")	1.077	1.723	7.12	12.88	-0.11 - 1.18	-	-	-
2.29 (90")	1.212	1.939	7.97	14.45	-0.12 - 1.34	-	-	-
2.54 (100")	1.346	2.154	8.90	16.00	-0.13 - 1.48	0.70	0.75	0.00 - 0.94
3.05 (120")	1.615	2.585	10.51	19.17	-0.16 - 1.78	0.84	0.91	0.00 - 1.13
3.81 (150")	2.019	3.231	13.06	23.89	-0.20 - 2.22	1.06	1.14	0.00 - 1.41
5.08 (200")	2.692	4.308	17.31	31.75	-0.27 - 2.96	1.43	1.54	0.00 - 1.88
6.35 (250")	3.365	5.385	21.56	39.61	-0.34 - 3.70	1.79	1.93	0.00 - 2.36
7.62 (300")	4.039	6.462	25.80	47.47	-0.40 - 4.44	2.16	2.32	0.00 - 2.83
8.89 (350")	4.712	7.539	30.05	55.33	-0.47 - 5.18	2.52	2.71	0.00 - 3.30
10.16 (400")	5.385	8.616	34.30	63.20	-0.54 - 5.92	2.89	3.11	0.00 - 3.77
12.70 (500")	6.731	10.770	42.79	78.92	-0.67 - 7.40	-	-	-

# Appendix / Annexe / 付録 (continued / suite / つづき)

- When the screen aspect ratio is 16:9
- Lorsque le rapport d'aspect de l'écran est 16:9
- 画面アスペクト比 16 : 9 のとき

(Unit / Unités / 単位 : m)

Lens model / Modèle d' objectif / 投写レンズ品番			ET-EMS600			ET-EMW200		
Throw ratio / Rapport de projection / スローレシオ			1.35 - 2.10:1			0.480 - 0.550:1		
SD	SH	SW	LW	LT	H	LW	LT	H
2.03 (80")	0.996	1.771	2.37	3.75	-0.17 - 1.16	0.83	0.97	0.06 - 0.94
2.29 (90")	1.121	1.992	2.67	4.22	-0.19 - 1.31	0.94	1.10	0.06 - 1.06
2.54 (100")	1.245	2.214	2.97	4.69	-0.21 - 1.45	1.06	1.22	0.07 - 1.18
3.05 (120")	1.494	2.657	3.57	5.64	-0.25 - 1.74	1.27	1.48	0.08 - 1.41
3.81 (150")	1.868	3.321	4.48	7.06	-0.31 - 2.18	1.60	1.87	0.10 - 1.76
5.08 (200")	2.491	4.428	5.99	9.43	-0.41 - 2.90	2.14	2.50	0.14 - 2.35
6.35 (250")	3.113	5.535	7.49	11.79	-0.52 - 3.63	2.69	3.14	0.17 - 2.94
7.62 (300")	3.736	6.641	9.00	14.16	-0.62 - 4.36	3.24	3.78	0.21 - 3.53
8.89 (350")	4.358	7.748	10.51	16.53	-0.73 - 5.08	3.78	4.42	0.24 - 4.11
10.16 (400")	4.981	8.855	12.02	18.89	-0.83 - 5.81	4.33	5.06	0.28 - 4.70
12.70 (500")	6.226	11.069	15.04	23.63	-1.04 - 7.26	5.42	6.33	0.35 - 5.88

Lens model / Modèle d' objectif / 投写レンズ品番			ET-EMW300			ET-EMW400		
Throw ratio / Rapport de projection / スローレシオ			0.550 - 0.690:1			0.690 - 0.950:1		
SD	SH	SW	LW	LT	H	LW	LT	H
2.03 (80")	0.996	1.771	0.96	1.22	-0.06 - 1.05	1.20	1.69	-0.17 - 1.16
2.29 (90")	1.121	1.992	1.08	1.38	-0.06 - 1.18	1.36	1.90	-0.19 - 1.31
2.54 (100")	1.245	2.214	1.21	1.53	-0.07 - 1.31	1.52	2.12	-0.21 - 1.45
3.05 (120")	1.494	2.657	1.46	1.85	-0.08 - 1.58	1.83	2.56	-0.25 - 1.74
3.81 (150")	1.868	3.321	1.83	2.32	-0.10 - 1.97	2.24	3.21	-0.31 - 2.18
5.08 (200")	2.491	4.428	2.45	3.11	-0.14 - 2.63	3.03	4.29	-0.41 - 2.90
6.35 (250")	3.113	5.535	3.07	3.90	-0.17 - 3.28	4.24	5.37	-0.52 - 3.63
7.62 (300")	3.736	6.641	3.70	4.68	-0.21 - 3.94	5.00	6.46	-0.62 - 4.36
8.89 (350")	4.358	7.748	4.32	5.47	-0.24 - 4.60	5.48	7.54	-0.73 - 5.08
10.16 (400")	4.981	8.855	4.94	6.26	-0.28 - 5.25	6.27	8.62	-0.83 - 5.81
12.70 (500")	6.226	11.069	6.19	7.83	-0.35 - 6.57	7.84	10.79	-1.04 - 7.26

# Appendix / Annexe / 付録 (continued / suite / つづき)

(Unit / Unités / 単位 : m)

Lens model / Modèle d' objectif / 投写レンズ品番			ET-EMW500			ET-EMT700		
Throw ratio / Rapport de projection / スローレシオ			0.950 - 1.36:1			2.10 - 4.15:1		
SD	SH	SW	LW	LT	H	LW	LT	H
2.03 (80")	0.996	1.771	1.66	2.41	-0.17 - 1.16	3.65	7.35	-0.17 - 1.16
2.29 (90")	1.121	1.992	1.87	2.71	-0.19 - 1.31	4.12	8.28	-0.19 - 1.31
2.54 (100")	1.245	2.214	2.09	3.02	-0.21 - 1.45	4.60	9.20	-0.21 - 1.45
3.05 (120")	1.494	2.657	2.51	3.63	-0.25 - 1.74	5.53	11.08	-0.25 - 1.74
3.81 (150")	1.868	3.321	3.15	4.56	-0.31 - 2.18	6.94	13.87	-0.31 - 2.18
5.08 (200")	2.491	4.428	4.22	6.09	-0.41 - 2.90	9.29	18.53	-0.41 - 2.90
6.35 (250")	3.113	5.535	5.29	7.63	-0.52 - 3.63	11.64	23.19	-0.52 - 3.63
7.62 (300")	3.736	6.641	6.36	9.16	-0.62 - 4.36	13.99	27.85	-0.62 - 4.36
8.89 (350")	4.358	7.748	7.43	10.70	-0.73 - 5.08	16.35	32.51	-0.73 - 5.08
10.16 (400")	4.981	8.855	8.50	12.23	-0.83 - 5.81	18.70	37.17	-0.83 - 5.81
12.70 (500")	6.226	11.069	10.63	15.30	-1.04 - 7.26	23.40	46.49	-1.04 - 7.26

Lens model / Modèle d' objectif / 投写レンズ品番			ET-EMT800			ET-EMU100		
Throw ratio / Rapport de projection / スローレシオ			4.12 - 7.40:1			0.329 - 0.353:1		
SD	SH	SW	LW	LT	H	LW	LT	H
2.03 (80")	0.996	1.771	7.31	13.23	-0.17 - 1.16	-	-	-
2.29 (90")	1.121	1.992	8.18	14.84	-0.19 - 1.31	-	-	-
2.54 (100")	1.245	2.214	9.10	16.40	-0.21 - 1.45	0.72	0.77	-0.07 - 0.90
3.05 (120")	1.494	2.657	10.80	19.69	-0.25 - 1.74	0.87	0.93	-0.08 - 1.08
3.81 (150")	1.868	3.321	13.42	24.54	-0.31 - 2.18	1.09	1.18	-0.10 - 1.35
5.08 (200")	2.491	4.428	17.78	32.62	-0.41 - 2.90	1.47	1.58	-0.14 - 1.80
6.35 (250")	3.113	5.535	22.15	40.70	-0.52 - 3.63	1.84	1.98	-0.17 - 2.25
7.62 (300")	3.736	6.641	26.51	48.78	-0.62 - 4.36	2.22	2.39	-0.21 - 2.70
8.89 (350")	4.358	7.748	30.88	56.86	-0.73 - 5.08	2.59	2.79	-0.24 - 3.15
10.16 (400")	4.981	8.855	35.24	64.94	-0.83 - 5.81	2.97	3.20	-0.28 - 3.60
12.70 (500")	6.226	11.069	43.97	81.11	-1.04 - 7.26	-	-	-

# Appendix / Annexe / 付録 (continued / suite / つづき)

- When the screen aspect ratio is 4:3
- Lorsque le rapport d'aspect de l'écran est 4:3
- 画面アスペクト比 4 : 3 のとき

(Unit / Unités / 単位 : m)

Lens model / Modèle d' objectif / 投写レンズ品番			ET-EMS600			ET-EMW200		
Throw ratio / Rapport de projection / スローレシオ			1.62 - 2.50:1			0.580 - 0.660:1		
SD	SH	SW	LW	LT	H	LW	LT	H
2.03 (80")	1.219	1.626	2.61	4.13	-0.12 - 1.34	0.92	1.08	0.12 - 1.10
2.29 (90")	1.372	1.829	2.94	4.65	-0.14 - 1.51	1.04	1.22	0.14 - 1.24
2.54 (100")	1.524	2.032	3.28	5.17	-0.15 - 1.68	1.17	1.35	0.15 - 1.37
3.05 (120")	1.829	2.438	3.94	6.22	-0.18 - 2.01	1.40	1.64	0.18 - 1.65
3.81 (150")	2.286	3.048	4.94	7.78	-0.23 - 2.51	1.76	2.06	0.23 - 2.06
5.08 (200")	3.048	4.064	6.60	10.39	-0.30 - 3.35	2.37	2.76	0.30 - 2.74
6.35 (250")	3.810	5.080	8.26	12.99	-0.38 - 4.19	2.97	3.47	0.38 - 3.43
7.62 (300")	4.572	6.096	9.92	15.60	-0.46 - 5.03	3.57	4.17	0.46 - 4.11
8.89 (350")	5.334	7.112	11.58	18.21	-0.53 - 5.87	4.17	4.87	0.53 - 4.80
10.16 (400")	6.096	8.128	13.25	20.81	-0.61 - 6.71	4.77	5.57	0.61 - 5.49
12.70 (500")	7.620	10.160	16.57	26.03	-0.76 - 8.38	5.98	6.98	0.76 - 6.86

Lens model / Modèle d' objectif / 投写レンズ品番			ET-EMW300			ET-EMW400		
Throw ratio / Rapport de projection / スローレシオ			0.660 - 0.830:1			0.830 - 1.15:1		
SD	SH	SW	LW	LT	H	LW	LT	H
2.03 (80")	1.219	1.626	1.06	1.35	0.00 - 1.22	1.33	1.86	-0.12 - 1.34
2.29 (90")	1.372	1.829	1.20	1.52	0.00 - 1.37	1.50	2.10	-0.14 - 1.51
2.54 (100")	1.524	2.032	1.34	1.69	0.00 - 1.52	1.68	2.34	-0.15 - 1.68
3.05 (120")	1.829	2.438	1.61	2.04	0.00 - 1.83	2.02	2.82	-0.18 - 2.01
3.81 (150")	2.286	3.048	2.02	2.56	0.00 - 2.29	2.54	3.54	-0.23 - 2.51
5.08 (200")	3.048	4.064	2.70	3.43	0.00 - 3.05	3.40	4.73	-0.30 - 3.35
6.35 (250")	3.810	5.080	3.39	4.30	0.00 - 3.81	4.26	5.92	-0.38 - 4.19
7.62 (300")	4.572	6.096	4.08	5.16	0.00 - 4.57	5.13	7.12	-0.46 - 5.03
8.89 (350")	5.334	7.112	4.76	6.03	0.00 - 5.33	5.99	8.31	-0.53 - 5.87
10.16 (400")	6.096	8.128	5.45	6.90	0.00 - 6.10	6.85	9.50	-0.61 - 6.71
12.70 (500")	7.620	10.160	6.82	8.63	0.00 - 7.62	8.58	11.89	-0.76 - 8.38

# Appendix / Annexe / 付録 (continued / suite / つづき)

(Unit / Unités / 単位 : m)

Lens model / Modèle d' objectif / 投写レンズ品番			ET-EMW500			ET-EMT700		
Throw ratio / Rapport de projection / スローレシオ			1.14 - 1.63:1			2.50 - 4.97:1		
SD	SH	SW	LW	LT	H	LW	LT	H
2.03 (80")	1.219	1.626	1.83	2.66	-0.12 - 1.34	4.03	8.11	-0.12 - 1.34
2.29 (90")	1.372	1.829	2.07	2.99	-0.14 - 1.51	4.55	9.13	-0.14 - 1.51
2.54 (100")	1.524	2.032	2.31	3.33	-0.15 - 1.68	5.07	10.10	-0.15 - 1.68
3.05 (120")	1.829	2.438	2.77	4.01	-0.18 - 2.01	6.11	12.21	-0.18 - 2.01
3.81 (150")	2.286	3.048	3.48	5.02	-0.23 - 2.51	7.66	15.29	-0.23 - 2.51
5.08 (200")	3.048	4.064	4.66	6.71	-0.30 - 3.35	10.25	20.42	-0.30 - 3.35
6.35 (250")	3.810	5.080	5.83	8.40	-0.38 - 4.19	12.84	25.55	-0.38 - 4.19
7.62 (300")	4.572	6.096	7.01	10.09	-0.46 - 5.03	15.43	30.69	-0.46 - 5.03
8.89 (350")	5.334	7.112	8.19	11.79	-0.53 - 5.87	18.01	35.82	-0.53 - 5.87
10.16 (400")	6.096	8.128	9.36	13.48	-0.61 - 6.71	20.60	40.95	-0.61 - 6.71
12.70 (500")	7.620	10.160	11.72	16.86	-0.76 - 8.38	25.78	51.21	-0.76 - 8.38

Lens model / Modèle d' objectif / 投写レンズ品番			ET-EMT800			ET-EMU100		
Throw ratio / Rapport de projection / スローレシオ			4.93 - 8.70:1			0.396 - 0.425:1		
SD	SH	SW	LW	LT	H	LW	LT	H
2.03 (80")	1.219	1.626	8.01	14.54	-0.12 - 1.34	-	-	-
2.29 (90")	1.372	1.829	8.98	16.02	-0.14 - 1.51	-	-	-
2.54 (100")	1.524	2.032	10.00	17.80	-0.15 - 1.68	0.79	0.85	0.00 - 1.07
3.05 (120")	1.829	2.438	11.86	21.36	-0.18 - 2.01	0.96	1.03	0.00 - 1.28
3.81 (150")	2.286	3.048	14.74	26.70	-0.23 - 2.51	1.21	1.30	0.00 - 1.60
5.08 (200")	3.048	4.064	19.55	35.60	-0.30 - 3.35	1.62	1.74	0.00 - 2.13
6.35 (250")	3.810	5.080	24.36	44.50	-0.38 - 4.19	2.03	2.19	0.00 - 2.67
7.62 (300")	4.572	6.096	29.17	53.40	-0.46 - 5.03	2.45	2.63	0.00 - 3.20
8.89 (350")	5.334	7.112	33.98	62.30	-0.53 - 5.87	2.86	3.08	0.00 - 3.73
10.16 (400")	6.096	8.128	38.78	71.20	-0.61 - 6.71	3.28	3.52	0.00 - 4.27
12.70 (500")	7.620	10.160	48.40	89.00	-0.76 - 8.38	-	-	-

## Note

- A  $\pm 5\%$  error in listed projection distances may occur.  
In addition, when [KEYSTONE] is used, distance is corrected to become smaller than the specified screen size.
- The throw ratio is based on the value during projection with the projected image size of 2.54 m (100").

## Remarque

- Une erreur de  $\pm 5\%$  dans des distances de projection énumérées peut se produire.  
En outre, lorsque [CORRECTION DE TRAPÈZE] est utilisé, la distance est corrigée pour devenir inférieure à la taille d'écran spécifiée.
- Le rapport de projection est basé sur la valeur en cours de projection avec une taille de l'image projetée de 2,54 m (100").

## お知らせ

- 記載の投写距離は $\pm 5\%$ 以下の範囲内で誤差が発生します。  
また、[台形補正] 使用時は、所定の画面サイズよりも小さくなる方向で補正されます。
- スローレシオは、投写画面サイズ 100 型投写時の値を基準にしています。

Setting-up dimensions which are not given in the above table can be calculated using the formulas below. Check the projected image size SD (m) and use the following formula to determine projection distance (L).

La configuration des dimensions qui ne sont pas données dans le tableau ci-dessus peut être calculée à l'aide des formules suivantes. Vérifiez la taille de l'image projetée SD (m) et utilisez la formule suivante pour déterminer la distance de projection (L).

上記の表以外の投写寸法は次の計算式で求めることができます。画面対角サイズ SD (m) をご確認のうえ、それぞれの計算式で投写距離 (L) を求めてください。

# Appendix / Annexe / 付録 (continued / suite / つづき)

- Projection distance formulas
- Formules de distance de projection
- 投写距離計算式

The dimensions of the following table contain a slight error.

Periods are used to represent decimal points in the calculation formulas in the following table.

Les dimensions du tableau suivant peuvent présenter un léger écart.

Les points sont utilisés pour indiquer les décimales dans les formules de calcul dans le tableau suivant.

次の表内の寸法は若干の誤差があります。

(Unit / Unités / 単位 : m)

		L	
		LW	LT
ET-EMS600	When the screen aspect ratio is 16:10 Lorsque le rapport d' aspect de l'écran est 16:10 画面アスペクト比 16 : 10 のとき	=1.1559 × SD - 0.0491	=1.8130 × SD - 0.0399
	When the screen aspect ratio is 16:9 Lorsque le rapport d' aspect de l'écran est 16:9 画面アスペクト比 16 : 9 のとき	=1.1880 × SD - 0.0491	=1.8634 × SD - 0.0399
	When the screen aspect ratio is 4:3 Lorsque le rapport d' aspect de l'écran est 4:3 画面アスペクト比 4 : 3 のとき	=1.3086 × SD - 0.0491	=2.0524 × SD - 0.0399
ET-EMW200	When the screen aspect ratio is 16:10 Lorsque le rapport d' aspect de l'écran est 16:10 画面アスペクト比 16 : 10 のとき	=0.4189 × SD - 0.0435	=0.4888 × SD - 0.0473
	When the screen aspect ratio is 16:9 Lorsque le rapport d' aspect de l'écran est 16:9 画面アスペクト比 16 : 9 のとき	=0.4306 × SD - 0.0435	=0.5023 × SD - 0.0473
	When the screen aspect ratio is 4:3 Lorsque le rapport d' aspect de l'écran est 4:3 画面アスペクト比 4 : 3 のとき	=0.4742 × SD - 0.0435	=0.5533 × SD - 0.0473
ET-EMW300	When the screen aspect ratio is 16:10 Lorsque le rapport d' aspect de l'écran est 16:10 画面アスペクト比 16 : 10 のとき	=0.4772 × SD - 0.0397	=0.6031 × SD - 0.0397
	When the screen aspect ratio is 16:9 Lorsque le rapport d' aspect de l'écran est 16:9 画面アスペクト比 16 : 9 のとき	=0.4904 × SD - 0.0397	=0.6199 × SD - 0.0397
	When the screen aspect ratio is 4:3 Lorsque le rapport d' aspect de l'écran est 4:3 画面アスペクト比 4 : 3 のとき	=0.5402 × SD - 0.0397	=0.6828 × SD - 0.0397
ET-EMW400	When the screen aspect ratio is 16:10 Lorsque le rapport d' aspect de l'écran est 16:10 画面アスペクト比 16 : 10 のとき	=0.6003 × SD - 0.0518	=0.8303 × SD - 0.0460
	When the screen aspect ratio is 16:9 Lorsque le rapport d' aspect de l'écran est 16:9 画面アスペクト比 16 : 9 のとき	=0.6170 × SD - 0.0518	=0.8534 × SD - 0.0460
	When the screen aspect ratio is 4:3 Lorsque le rapport d' aspect de l'écran est 4:3 画面アスペクト比 4 : 3 のとき	=0.6795 × SD - 0.0518	=0.9400 × SD - 0.0460



# Appendix / Annexe / 付録 (continued / suite / つづき)

(Unit / Unités / 単位 : m)

		L	
		LW	LT
ET-EMW500	When the screen aspect ratio is 16:10 Lorsque le rapport d' aspect de l'écran est 16:10 画面アスペクト比 16 : 10 のとき	=0.8185 × SD - 0.0509	=1.1760 × SD - 0.0500
	When the screen aspect ratio is 16:9 Lorsque le rapport d' aspect de l'écran est 16:9 画面アスペクト比 16 : 9 のとき	=0.8413 × SD - 0.0509	=1.2087 × SD - 0.0500
	When the screen aspect ratio is 4:3 Lorsque le rapport d' aspect de l'écran est 4:3 画面アスペクト比 4 : 3 のとき	=0.9266 × SD - 0.0509	=1.3313 × SD - 0.0500
ET-EMT700	When the screen aspect ratio is 16:10 Lorsque le rapport d' aspect de l'écran est 16:10 画面アスペクト比 16 : 10 のとき	=1.8007 × SD - 0.1082	=3.5693 × SD - 0.1046
	When the screen aspect ratio is 16:9 Lorsque le rapport d' aspect de l'écran est 16:9 画面アスペクト比 16 : 9 のとき	=1.8508 × SD - 0.1082	=3.6685 × SD - 0.1046
	When the screen aspect ratio is 4:3 Lorsque le rapport d' aspect de l'écran est 4:3 画面アスペクト比 4 : 3 のとき	=2.0385 × SD - 0.1082	=4.0407 × SD - 0.1046
ET-EMT800	When the screen aspect ratio is 16:10 Lorsque le rapport d' aspect de l'écran est 16:10 画面アスペクト比 16 : 10 のとき	=3.3441 × SD + 0.3209	=6.1906 × SD + 0.2998
	When the screen aspect ratio is 16:9 Lorsque le rapport d' aspect de l'écran est 16:9 画面アスペクト比 16 : 9 のとき	=3.4371 × SD + 0.3209	=6.3627 × SD + 0.2998
	When the screen aspect ratio is 4:3 Lorsque le rapport d' aspect de l'écran est 4:3 画面アスペクト比 4 : 3 のとき	=3.7858 × SD + 0.3209	=7.0082 × SD + 0.2998
ET-EMU100	When the screen aspect ratio is 16:10 Lorsque le rapport d' aspect de l'écran est 16:10 画面アスペクト比 16 : 10 のとき	=0.2879 × SD - 0.0355	=0.3095 × SD - 0.0363
	When the screen aspect ratio is 16:9 Lorsque le rapport d' aspect de l'écran est 16:9 画面アスペクト比 16 : 9 のとき	=0.2959 × SD - 0.0355	=0.3181 × SD - 0.0363
	When the screen aspect ratio is 4:3 Lorsque le rapport d' aspect de l'écran est 4:3 画面アスペクト比 4 : 3 のとき	=0.3259 × SD - 0.0355	=0.3503 × SD - 0.0363

---

# Panasonic Corporation

Web Site : <https://panasonic.net/cns/projector/>

---

## **Panasonic System Solutions Company of North America**

Two Riverfront Plaza, Newark, NJ 07102

TEL: (877) 803 - 8492

## **Panasonic Canada Inc.**

5770 Ambler Drive, Mississauga, Ontario L4W 2T3

TEL: (905) 624 - 5010

---

## **パナソニック株式会社 コネクティッドソリューションズ社**

〒 571-8503 大阪府門真市松葉町 2 番 15 号 電話 ☎ 0120-872-601