

This zoom lens is designed for use with Panasonic's applicable projectors.

*Please use the lens only on the specified Panasonic projector.

Specifications

F value	1.80 ~ 2.35
Focal distance (f)	21.08 mm ~ 30.00 mm (53/64 ~ 1-3/16 inches)
Throw ratio	0.950~1.36:1 for PT-MZ16KL/MZ13KL/MZ10KL (16:10 aspect ratio) 0.950~1.36:1 for PT-MZ16KL/MZ13KL/MZ10KL (16:9 aspect ratio) 1.14~1.63:1 for PT-MZ16KL/MZ13KL/MZ10KL (4:3 aspect ratio)
Dimensions (W × H × D)	179 × 175 × 285 mm (7-1/16 × 6-7/8 × 11-7/32 inches)
Weight	Approximately 5.15 kg (11.35 lbs)
Applicable projector	PT-MZ16KL/MZ13KL/MZ10KL

Dimensions

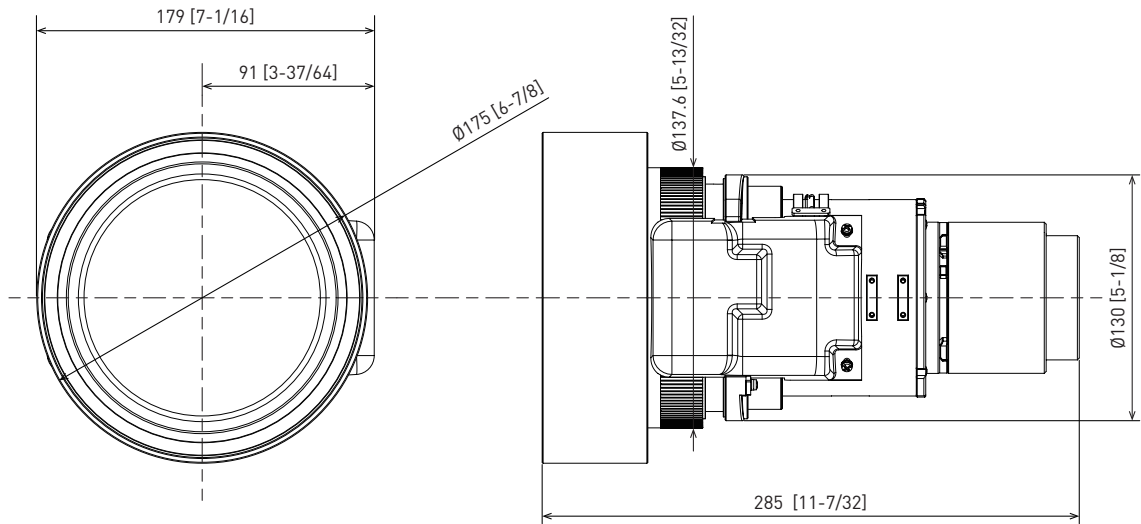
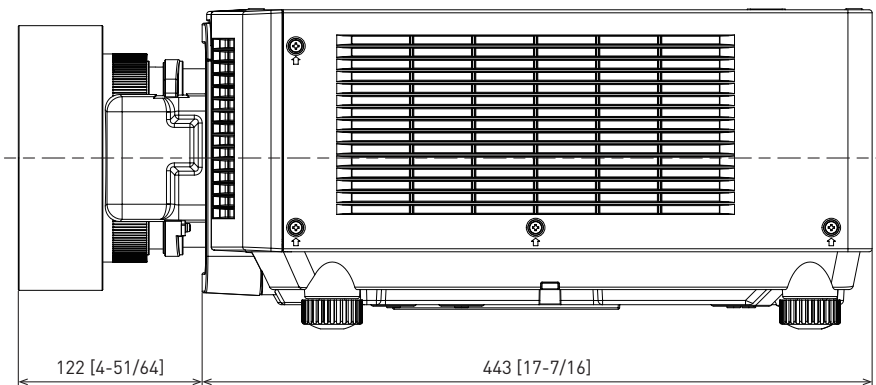


Figure attached to the [PT-MZ16KL/MZ13KL/MZ10KL] projector



unit : mm [inch]

This illustration is not drawn to scale.
Please read the projector's instruction manual for throw distances.
Weights and dimensions shown are approximate. Specifications subject to change without notice.