

Specifications

Main unit

Power supply		AC 100V-240V, 50Hz/60Hz	
Power consumption ¹	Maximum power consumption		
	On-mode power consumption (Operating mode)	[Normal]	1050 W (10.7A-4.5A) (1070 VA)
		[Eco]	900 W (TBD) * Operating Temperature: 25 °C (77 °F), Altitude: 700 m (2,297 ft), HDMI input All White (1920*1200@60) no other input, Picture mode: Dynamic, Dynamic Contrast [OFF]
		[QUIET]	700 W (TBD)
Standby mode power consumption	[Normal]	890 W (TBD)	
	[Eco]	12 W	
BTU value		Max 3,583 BTU (TBD)	
DLP™ chip	Size	[0.8 in] diagonal (16:10 aspect ratio)	
	Display system	DLP™ chip x 1	
	Number of pixels	2,304,000 pixels (1920 x 1200 dots)	
Refresh rate		240 Hz Refresh rate varies depending on scanning frequency.	
Light source		Laser diode	
Light output ¹	Operation mode	[Normal]	12,000 lm
		[Eco]	9,600 lm
		[QUIET]	9,600 lm
Time until light output declines to 50% ²	Operation mode	[Normal]	20,000 hours
		[Eco]	24,000 hours
		[QUIET]	20,000 hours
Resolution		4K (3840 x 2400 dots) (Quad Pixel Drive: ON)	
Contrast ratio ¹		20,000:1 (All White/All Black, Dynamic Contrast [3])	
Screen size (diagonal)		[70-700 in] with standard lens (C1S600)	
Center to corner zone ratio ¹		90%	
Lens	PT-REQ12B/REQ12W	Powered zoom/focus lenses (TR:1.36-2.10:1), F Value (1.84-2.31)	
	PT-REQ12LB/REQ12LW	Optional powered zoom/focus lenses	
Lens shift (From the origin point of the lens mounter)	Vertical	(Max) ±60% (with ET-C1W400, ET-C1W500, ET-C1S600, ET-C1T700) (powered) (Max) ±50% (with ET-C1U100, ET-C1W300) (powered)	
	Horizontal	(Max) ±29% (with ET-C1W400, ET-C1W500, ET-C1S600, ET-C1T700) (powered) (Max) ±23% (with ET-C1U100, ET-C1W300) (powered)	
Installation		Ceiling/floor, front/rear, free 360-degree installation	
Compatible Signal	HDMI signal input	Moving image signal resolution: 480/60p, 576/50p to 4096 x 2160 Still image signal resolution: 640 x 480 to 3840 x 2400 Dot clock frequency: 25.2 MHz to 594 MHz	
	DisplayPort	Moving image signal resolution: 720/60p to 4096 x 2160 Still image signal resolution: 640 x 480 to 3840 x 2400 Dot clock frequency: 25.2 MHz to 594 MHz	
	DIGITAL LINK ⁴ signal input	Moving image signal resolution: 480/60p, 576/50p to 4096 x 2160 Still image signal resolution: 640 x 480 to 3840 x 2400 Dot clock frequency: 25.2 MHz to 297 MHz	
	SDI signal input	HD-SDI signal 3G-SDI signal 12G-SDI signal ³	
Terminals	<HDMI 1 IN> <HDMI 2 IN>	HDMI x 2 Deep Color, compatible with HDCP2.3, 4K/60p signal ⁵	
	<DisplayPort IN>	DisplayPort x 1 Deep Color, compatible with HDCP 2.3, 4K/60p signal ⁵	
	<MULTI PROJECTOR SYNC IN>	BNC x 1 TTL high impedance	
	<MULTI PROJECTOR SYNC OUT>	BNC x 1 TTL output: Maximum 10 mA	
	<SERIAL IN>	D-sub 9-pin (female) x 1 for external control (RS-232C compliant)	
	<SERIAL OUT>	D-sub 9-pin (male) x 1 for link control (RS-232C compliant)	
	<REMOTE 1 IN>	M3 stereo mini-jack x 1 for wired remote control	
	<REMOTE 1 OUT>	M3 stereo mini-jack x 1 for link control (for wired remote control)	
<REMOTE 2 IN>	D-sub 9-pin (female) x 1 for external control (parallel)		

Terminals	<LAN>	RJ-45 x 1 for network and DIGITAL LINK connections (HDBase™ compliant), 100Base-TX, HDCP 2.3 compatible, Deep Color compatible, 4K/60p signal input ⁵ , Extron XTP
	<USB>	USB connector (Type A) x 1 for optional AJ-WM50 Series Wireless Module/USB memory stick
	<DC OUT>	USB connector (Type A) x 1 for power supply, DC 5 V, total of 2 A
	<SLOT>	SLOT x 1 for function boards, Intel® SDM compatible
Supported Internet Protocol version		IPv4, IPv6 ⁸
Power cord length		3.0 m [118 1/8 in]
Cabinet materials		Molded plastic
Dimension	Width	498 mm [19 5/8 in] (excluding protrusions)
	Height	212 mm [8 3/8 in] (with the feet at shortest position) 196 mm [7 11/16 in] (excluding feet)
	Depth	538 mm [21 3/16 in] (excluding protrusions)
Weight ⁶	PT-REQ12B/REQ12W	Approx. 28.8 kg (63.5 lbs) (with lens)
	PT-REQ12LB/REQ12LW	Approx. 26.9 kg (59.3 lbs) (without lens)
Operating noise ¹	[Normal]	39 dB
	[Eco]	39 dB
	[Quiet]	35 dB
Laser Classification	Laser Class	Class 1 (IEC/EN 60825-1:2014) China: Class 4 (IEC60825-1:2007)
	Risk Group	Risk Group 3 (IEC 62471-5:2015)
Operating environment	Operating temperature	0-45 °C (32-113 °F) ⁷
	Operating humidity	10-80% (no condensation)

Remote control unit

Power supply		3V DC (AAA/R03/LR03 battery x 2)
Operation range		Approx. 30 m [98 ft 5 in] (when operated directly in front of signal receiver)
Dimensions	Width	48 mm [1 7/8 in]
	Height	145 mm [5 23/32 in]
	Depth	27 mm [1 1/16 in]
Weight		Approx. 102 g (3.60 ozs.) including batteries

Supplied accessories

- Power cord (x 1) (x 2 for Europe / ASIA models)
- Wireless/wired remote control unit (x 1)
- Batteries for remote control (AAA/R03 or AAA/LR03 battery x 2)
- Lens cover (x 1) (Only models with lens)

Other Applications

- Multi Monitoring Control Software (for Windows)
- Logo Transfer Software (for Windows)
- Geometry Manager Pro (for Windows)
- Smart Projector Control (for iOS/Android™)
- Projector Network Setup Software (for Windows)

Supported services of Control via LAN

- Art-net
- PJLink™ (class 2)
- Crestron Connected™ V2
- Crestron XiO Cloud™
- AMX Device Discovery

Optional accessories

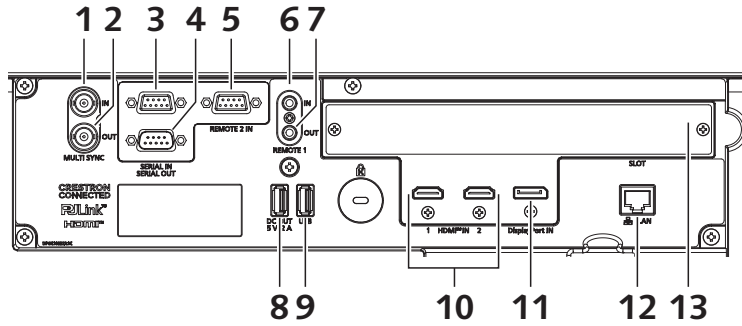
Lens	Zoom lens	ET-C1U100 (0.308-0.330:1)
		ET-C1W300 (0.550-0.690:1)
		ET-C1W400 (0.680-0.950:1)
		ET-C1W500 (0.940-1.39:1)
		ET-C1S600 (1.36-2.10:1)
		ET-C1T700 (2.07-3.38:1)
Ceiling Mount Bracket	with 6-axis adjustment for high ceilings	ET-PKD130H
	for high ceilings	ET-PKD120H
	for low ceilings	ET-PKD120S
Attachment for Ceiling Mount Bracket		ET-PKD130B
Function Board	12G-SDI Terminal Board	TY-SB01QS
	DIGITAL LINK Terminal Board	TY-SB01DL
	Wireless Presentation System Receiver Board	TY-SB01WP
DIGITAL LINK Switcher		ET-YFB200G
Digital Interface Box		ET-YFB100G
Wireless module		AJ-WM50 Series Note: Product availability may vary by country or region. The suffix at the end of the model number is omitted. Operating Temperature: 0–40 °C (32–104 °F).
Early Warning Software		ET-SWA100 Series Note: Part number suffix may differ depending on the license type.
NFC Upgrade Kit		ET-NUK10 Note: Product availability may vary by country or region.
Geometry Manager Pro Upgrade kit (preactivated)		ET-UK20
Auto Screen Adjustment Upgrade kit (preactivated)		ET-CUK10/CUK10P
Wireless Presentation System PressIT		TY-WPS1 (basic set)

Weights and dimensions shown are approximate. Specifications subject to change without notice.

- 1 Measurement, measuring conditions, and method of notation all comply with ISO/IEC 21118:2020 international standards.
- 2 Around this time, light output will have decreased by approximately 50%. IEC62087: 2008 Broadcast contents, NORMAL Mode, Dynamic Contrast [3], under conditions with 30°C (86°F), 700m (2297ft) above sea level, and 0.15 mg/m³ of particulate matter. Estimated time until light output declines to 50% varies depending on environment.
- 3 Requires TY-SB01QS Interface Board for 12G-SDI Input.
- 4 Requires TY-SB01DL Interface Board for DIGITAL LINK.
- 5 4K/60p signals are converted to the projector's resolution upon projection.
- 6 Average value. May differ depending on the actual unit.
- 7 When using the projector at an altitude lower than 2700m (8858ft) above sea level, and the operating environment temperature becomes 35°C (95°F) or higher, the light output may be reduced to protect the projector.
When using the projector at an altitude between 2700m (8858ft) and 4200m (13780ft), and the operating environment temperature becomes 25°C (77°F) or higher, the light output may be reduced to protect the projector.
- 8 Optional wireless module AJ-WM50 only supports IPv4

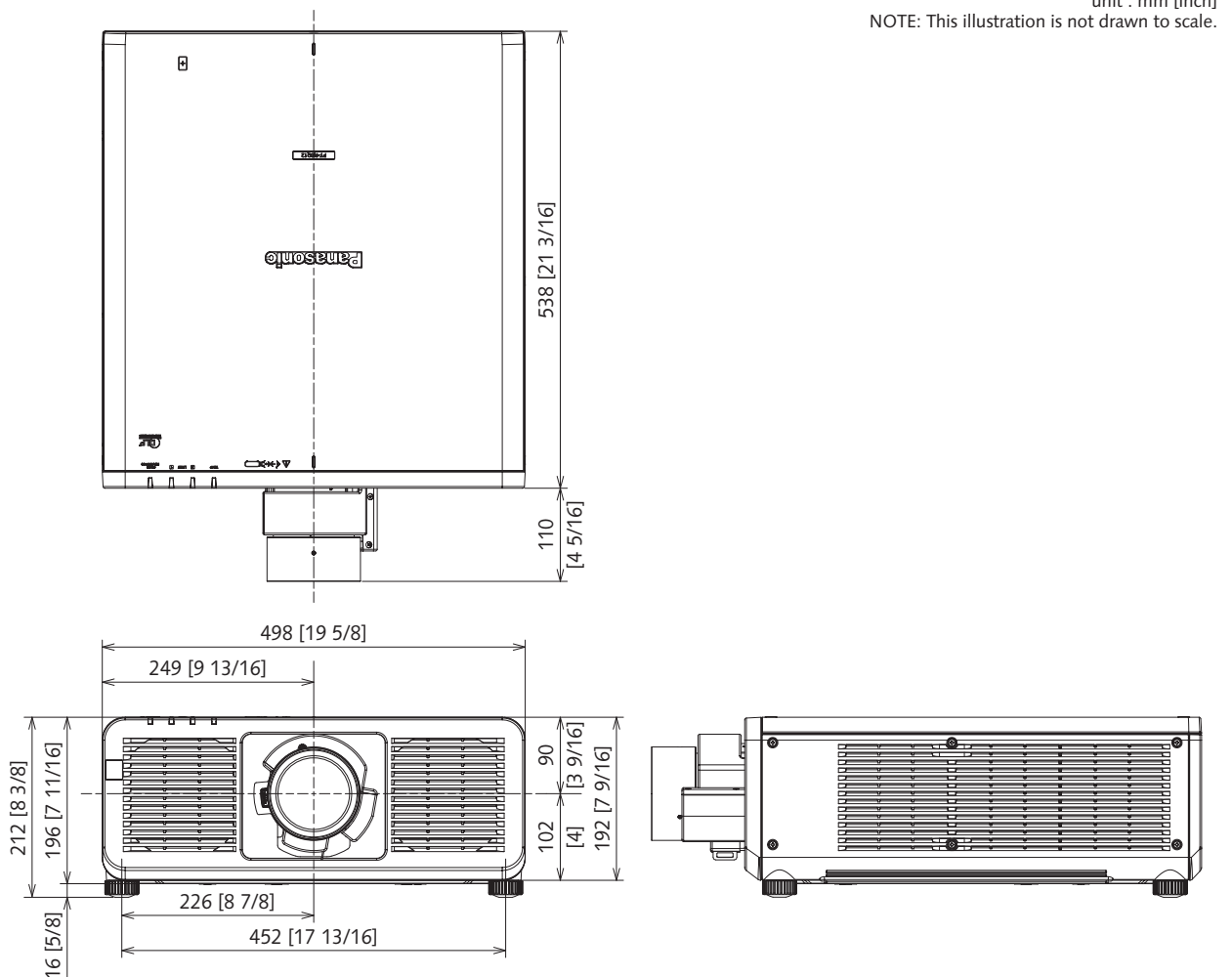
PT-REQ12B/REQ12LB/REQ12W/REQ12LW

Terminals



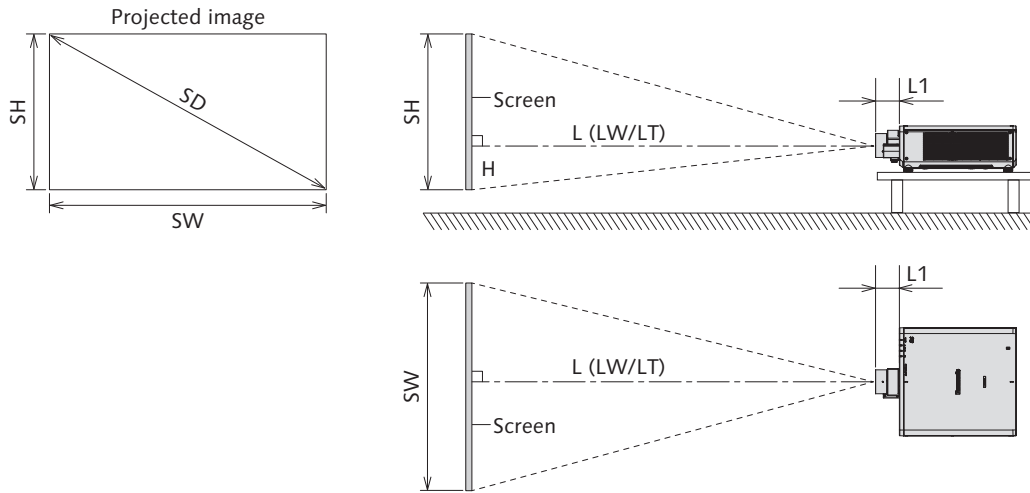
1	MULTI PROJECTOR SYNC IN	8	DC OUT
2	MULTI PROJECTOR SYNC OUT	9	USB
3	SERIAL IN	10	HDMI 1 IN / HDMI 2 IN
4	SERIAL OUT	11	DisplayPort IN
5	REMOTE 2 IN	12	LAN
6	REMOTE 1 IN	13	SLOT
7	REMOTE 1 OUT		

Dimensions



Projected image and throw distance

Install the projector referring to the projected image size and projection distance. Image size and image position can be adjusted in accordance with the screen size and screen position.



Note

- This illustration is prepared on the assumption that the projected image size and position have been aligned to fit full in the screen.
- This illustration is not drawn to scale.
- The values are approximate.

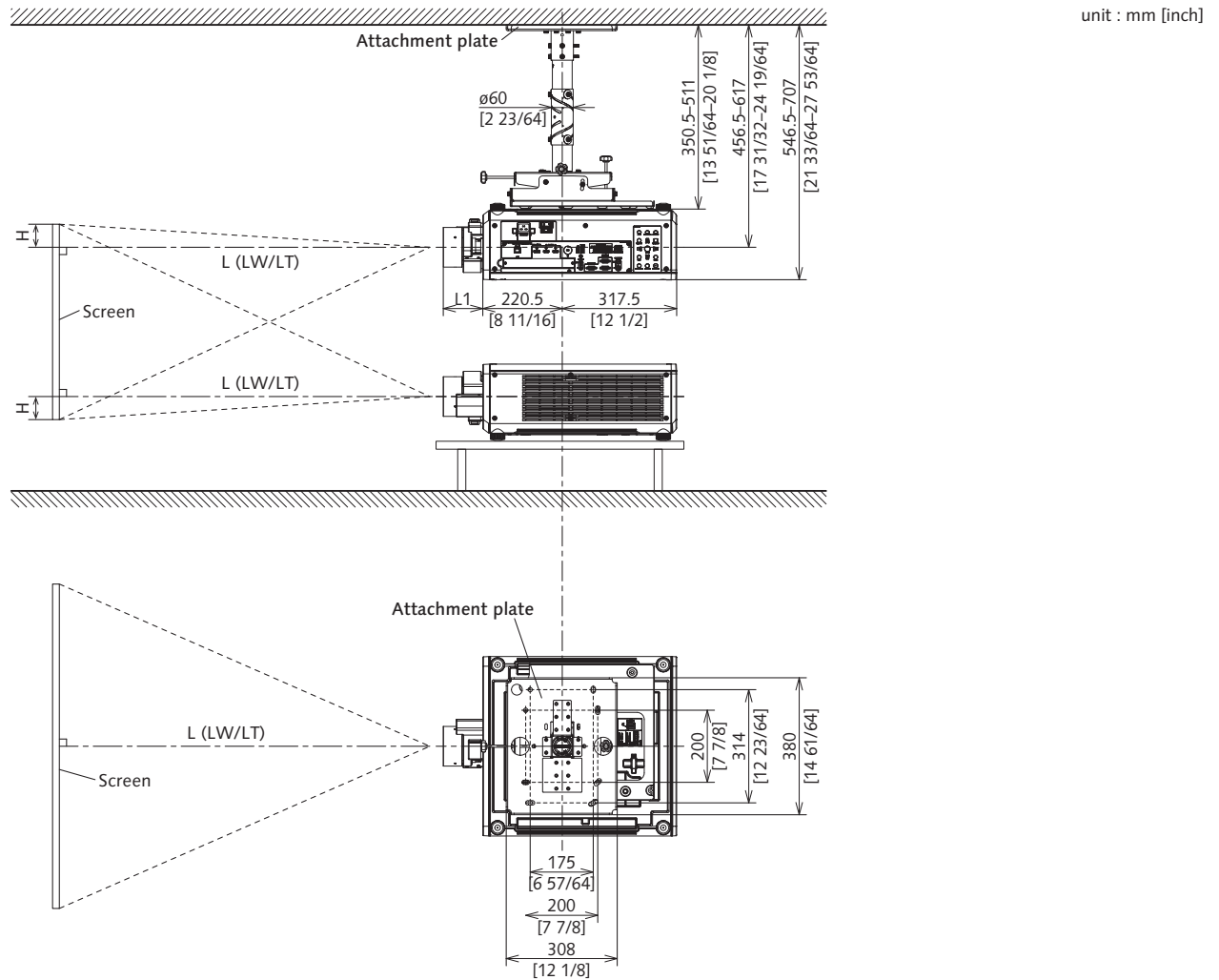
SH	Projected image height
SW	Projected image width
SD	Projected image size
H	Distance from the lens center to the bottom edge of the projected image
L	Projection distance (distance from the front end of the projection lens to the screen)
	LW Minimum projection distance when the Zoom Lens is used
	LT Maximum projection distance when the Zoom Lens is used
L1	Lens protrusion dimension (distance from the front surface of the projector to the front end of the projection lens)

unit : mm

Projection lens Model No.	Lens protrusion dimension (L1) (approximate value)
ET-C1W300	151.0
ET-C1W400	148.6
ET-C1W500	144.0
Standard zoom lens/ ET-C1S600	110.4
ET-C1T700	159.8

Standard setting position

Illustrations show the projector installed using optional ceiling mountbracket ET-PKD130H, optional bracket assembly ET-PKD130B.



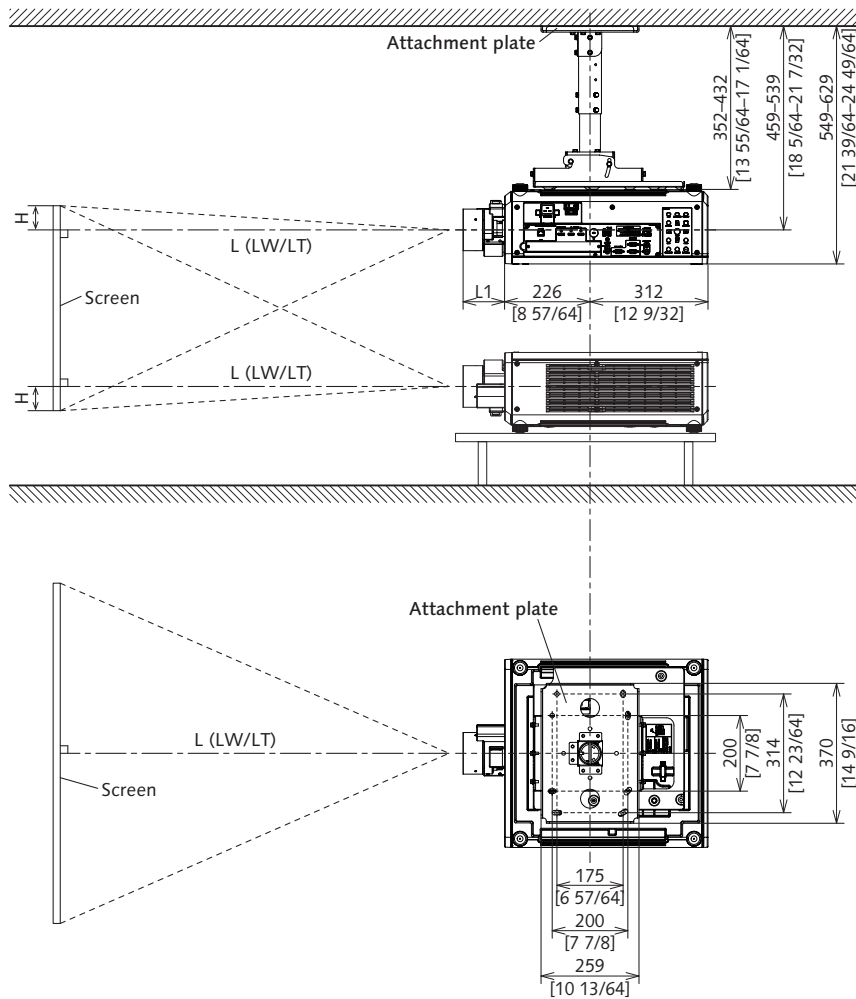
Caution

- All construction work should be done by a qualified technician.
- When mounting to the ceiling, use the special mounting bracket.
Furthermore, in order to prevent it from falling down from the ceiling, use the supplied wire on the mounting bracket.

Note

- This illustration is prepared on the assumption that the projected image size and position have been aligned to fit full in the screen.
- This illustration is not drawn to scale.
- The values are approximate.

Illustrations show the projector installed using optional ceiling mountbracket ET-PKD120H, optional bracket assembly ET-PKD130B.

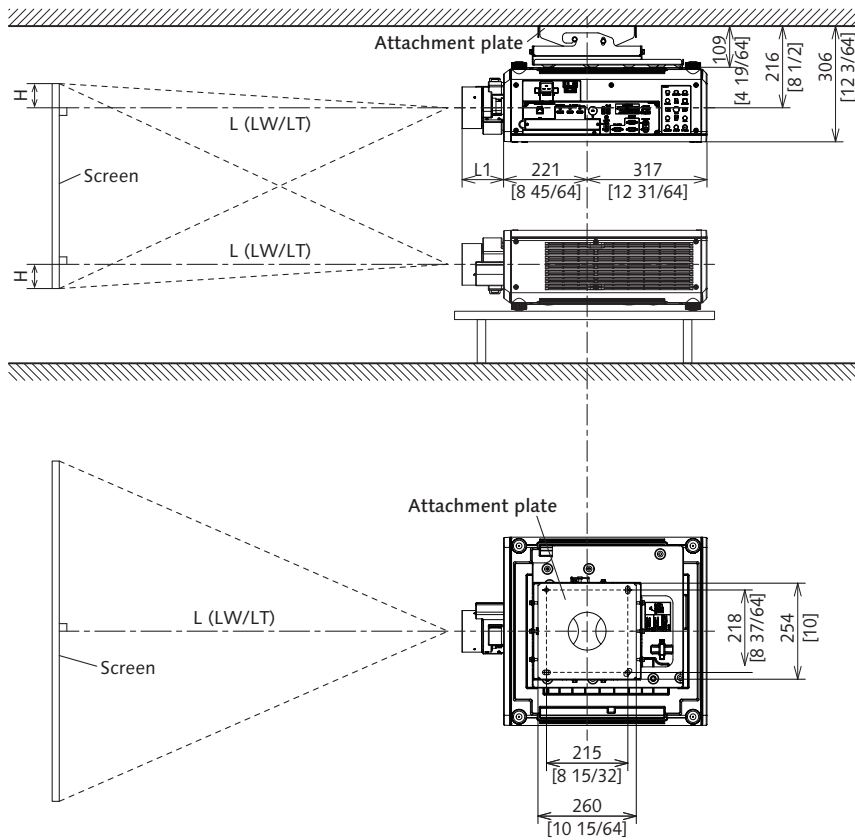
**Caution**

- All construction work should be done by a qualified technician.
- When mounting to the ceiling, use the special mounting bracket. Furthermore, in order to prevent it from falling down from the ceiling, use the supplied wire on the mounting bracket.

Note

- This illustration is prepared on the assumption that the projected image size and position have been aligned to fit full in the screen.
- This illustration is not drawn to scale.
- The values are approximate.

Illustrations show the projector installed using optional ceiling mountbracket ET-PKD120S, optional bracket assembly ET-PKD130B.

**Caution**

- All construction work should be done by a qualified technician.
- When mounting to the ceiling, use the special mounting bracket. Furthermore, in order to prevent it from falling down from the ceiling, use the supplied wire on the mounting bracket.

Note

- This illustration is prepared on the assumption that the projected image size and position have been aligned to fit full in the screen.
- This illustration is not drawn to scale.
- The values are approximate.

Projection distance

A ±5% error in listed projection distances may occur.

When [SCREEN ADJUSTMENT] is used, distance is corrected to become smaller than the specified image size.

Screen aspect ratio 16:10 (4K; 3840 x 2400/ WUXGA; 1920 x 1200)

Unit: meters

Projection lens Model No.		ET-C1W300		ET-C1W400		ET-C1W500		Standard ET-C1S600		ET-C1T700		ET-C1W400 ET-C1W500 ET-C1S600 ET-C1T700		ET-C1W300	
Throw ratio		0.550-0.690:1		0.680-0.950:1		0.940-1.39:1		1.36-2.10:1		2.07-3.38:1					
Diagonal (SD)	Height (SH)	Width (SW)	Min. (LW)	Max. (LT)	Min. (LW)	Max. (LT)	Min. (LW)	Max. (LT)	Min. (LW)	Max. (LT)	Min. (LW)	Max. (LT)	Distance from the lens center to the bottom edge of the projected image (H)		
														m	inches
1.778	70	0.942	1.508	0.819	1.029	1.010	1.421	1.408	2.081	2.031	3.147	3.092	5.070	-0.09 - 1.04	0.00 - 0.94
2.032	80	1.077	1.723	0.941	1.181	1.160	1.630	1.614	2.385	2.331	3.606	3.548	5.806	-0.11 - 1.19	0.00 - 1.08
2.286	90	1.212	1.939	1.062	1.334	1.310	1.838	1.820	2.689	2.631	4.065	4.003	6.543	-0.12 - 1.33	0.00 - 1.21
2.540	100	1.346	2.154	1.184	1.486	1.460	2.047	2.026	2.993	2.930	4.523	4.458	7.279	-0.14 - 1.48	0.00 - 1.35
3.048	120	1.615	2.585	1.427	1.791	1.761	2.464	2.439	3.600	3.530	5.441	5.368	8.751	-0.16 - 1.78	0.00 - 1.62
3.810	150	2.019	3.231	1.792	2.248	2.211	3.090	3.057	4.511	4.429	6.817	6.733	10.960	-0.20 - 2.22	0.00 - 2.02
5.080	200	2.692	4.308	2.400	3.010	2.962	4.133	4.087	6.030	5.927	9.110	9.008	14.641	-0.27 - 2.96	0.00 - 2.69
6.350	250	3.365	5.385	3.008	3.771	3.713	5.176	5.118	7.549	7.426	11.403	11.283	18.322	-0.34 - 3.70	0.00 - 3.37
7.620	300	4.039	6.462	3.616	4.533	4.464	6.219	6.148	9.067	8.925	13.696	13.559	22.003	-0.40 - 4.44	0.00 - 4.04
8.890	350	4.712	7.539	4.224	5.295	5.215	7.262	7.179	10.586	10.423	15.990	15.834	25.684	-0.47 - 5.18	0.00 - 4.71
10.160	400	5.385	8.616	4.832	6.057	5.966	8.304	8.209	12.105	11.922	18.283	18.109	29.365	-0.54 - 5.92	0.00 - 5.39
12.700	500	6.731	10.770	6.048	7.580	7.468	10.390	10.270	15.142	14.919	22.870	22.660	36.728	-0.67 - 7.40	0.00 - 6.73
15.240	600	8.077	12.923	7.264	9.104	8.970	12.476	12.331	18.180	17.916	27.456	27.210	44.090	-0.81 - 8.89	0.00 - 8.08
17.780	700	9.423	15.077	8.480	10.627	10.472	14.562	14.392	21.217	20.913	32.043	31.761	51.452	-0.94 - 10.37	0.00 - 9.42

• The throw ratio is based on the value during projection with the projected image size of 2.54 m (100 in)

Screen aspect ratio 16:10 (4K; 3840 x 2400/ WUXGA; 1920 x 1200)

Unit: feet

Projection lens Model No.		ET-C1W300		ET-C1W400		ET-C1W500		Standard ET-C1S600		ET-C1T700		ET-C1W400 ET-C1W500 ET-C1S600 ET-C1T700		ET-C1W300	
Throw ratio		0.550-0.690:1		0.680-0.950:1		0.940-1.39:1		1.36-2.10:1		2.07-3.38:1					
Diagonal (SD)	Height (SH)	Width (SW)	Min. (LW)	Max. (LT)	Min. (LW)	Max. (LT)	Min. (LW)	Max. (LT)	Min. (LW)	Max. (LT)	Min. (LW)	Max. (LT)	Distance from the lens center to the bottom edge of the projected image (H)		
														m	inches
1.778	70	3.09	4.95	2.69	3.38	3.31	4.66	4.62	6.83	6.66	10.32	10.14	16.63	-0.30 - 3.41	0.00 - 3.08
2.032	80	3.53	5.65	3.09	3.87	3.81	5.35	5.30	7.82	7.65	11.83	11.64	19.05	-0.36 - 3.90	0.00 - 3.54
2.286	90	3.98	6.36	3.48	4.38	4.30	6.03	5.97	8.82	8.63	13.34	13.13	21.47	-0.39 - 4.36	0.00 - 3.97
2.540	100	4.42	7.07	3.88	4.88	4.79	6.72	6.65	9.82	9.61	14.84	14.63	23.88	-0.46 - 4.86	0.00 - 4.43
3.048	120	5.30	8.48	4.68	5.88	5.78	8.08	8.00	11.81	11.58	17.85	17.61	28.71	-0.52 - 5.84	0.00 - 5.31
3.810	150	6.62	10.60	5.88	7.38	7.25	10.14	10.03	14.80	14.53	22.37	22.09	35.96	-0.66 - 7.28	0.00 - 6.63
5.080	200	8.83	14.13	7.87	9.88	9.72	13.56	13.41	19.78	19.45	29.89	29.55	48.03	-0.89 - 9.71	0.00 - 8.83
6.350	250	11.04	17.67	9.87	12.37	12.18	16.98	16.79	24.77	24.36	37.41	37.02	60.11	-1.12 - 12.14	0.00 - 11.06
7.620	300	13.25	21.20	11.86	14.87	14.65	20.40	20.17	29.75	29.28	44.93	44.48	72.19	-1.31 - 14.57	0.00 - 13.25
8.890	350	15.46	24.73	13.86	17.37	17.11	23.83	23.55	34.73	34.20	52.46	51.95	84.26	-1.54 - 16.99	0.00 - 15.45
10.160	400	17.67	28.27	15.85	19.87	19.57	27.24	26.93	39.71	39.11	59.98	59.41	96.34	-1.77 - 19.42	0.00 - 17.68
12.700	500	22.08	35.33	19.84	24.87	24.50	34.09	33.69	49.68	48.95	75.03	74.34	120.50	-2.20 - 24.28	0.00 - 22.08
15.240	600	26.50	42.40	23.83	29.87	29.43	40.93	40.46	59.64	58.78	90.08	89.27	144.65	-2.66 - 29.17	0.00 - 26.51
17.780	700	30.91	49.46	27.82	34.87	34.36	47.78	47.22	69.61	68.61	105.13	104.20	168.80	-3.08 - 34.02	0.00 - 30.91

• The throw ratio is based on the value during projection with the projected image size of 2.54 m (100 in)

Screen aspect ratio 16:9 (3840 x 2160/ 1920 x 1080)

Unit: meters

Projection lens Model No.		ET-C1W300		ET-C1W400		ET-C1W500		Standard ET-C1S600		ET-C1T700		ET-C1W400 ET-C1W500 ET-C1S600 ET-C1T700		ET-C1W300	
Throw ratio		0.550-0.690:1		0.680-0.950:1		0.940-1.39:1		1.36-2.10:1		2.07-3.38:1		Distance from the lens center to the bottom edge of the projected image (H)			
Diagonal (SD)	Height (SH)	Width (SW)	Min. (LW)	Max. (LT)	Min. (LW)	Max. (LT)	Min. (LW)	Max. (LT)	Min. (LW)	Max. (LT)	Min. (LW)	Max. (LT)	Distance from the lens center to the bottom edge of the projected image (H)		
															m
1.778	70	0.872	1.550	0.843	1.059	1.039	1.462	1.448	2.141	2.090	3.237	3.181	5.213	-0.15 - 1.02	-0.05 - 0.92
2.032	80	0.996	1.771	0.968	1.215	1.193	1.676	1.660	2.453	2.398	3.708	3.649	5.970	-0.17 - 1.16	-0.06 - 1.05
2.286	90	1.121	1.992	1.093	1.372	1.348	1.891	1.872	2.765	2.706	4.180	4.116	6.727	-0.19 - 1.31	-0.06 - 1.18
2.540	100	1.245	2.214	1.218	1.528	1.502	2.105	2.084	3.077	3.014	4.651	4.584	7.483	-0.21 - 1.45	-0.07 - 1.31
3.048	120	1.494	2.657	1.468	1.842	1.811	2.534	2.507	3.701	3.630	5.594	5.520	8.997	-0.25 - 1.74	-0.08 - 1.58
3.810	150	1.868	3.321	1.842	2.311	2.274	3.177	3.143	4.638	4.554	7.008	6.923	11.267	-0.31 - 2.18	-0.10 - 1.97
5.080	200	2.491	4.428	2.467	3.094	3.046	4.249	4.202	6.199	6.094	9.365	9.261	15.050	-0.42 - 2.91	-0.14 - 2.63
6.350	250	3.113	5.535	3.092	3.877	3.818	5.321	5.261	7.760	7.634	11.722	11.600	18.834	-0.52 - 3.63	-0.17 - 3.29
7.620	300	3.736	6.641	3.717	4.660	4.590	6.393	6.320	9.321	9.175	14.079	13.938	22.617	-0.62 - 4.36	-0.21 - 3.94
8.890	350	4.358	7.748	4.342	5.443	5.362	7.464	7.379	10.882	10.715	16.436	16.277	26.401	-0.73 - 5.09	-0.24 - 4.60
10.160	400	4.981	8.855	4.967	6.226	6.133	8.536	8.438	12.443	12.255	18.793	18.615	30.184	-0.83 - 5.81	-0.28 - 5.26
12.700	500	6.226	11.069	6.217	7.792	7.677	10.680	10.556	15.565	15.336	23.507	23.292	37.751	-1.04 - 7.26	-0.35 - 6.57
15.240	600	7.472	13.283	7.467	9.358	9.221	12.824	12.675	18.686	18.416	28.221	27.969	45.318	-1.25 - 8.72	-0.42 - 7.89
17.780	700	8.717	15.497	8.716	10.924	10.765	14.968	14.793	21.808	21.497	32.935	32.646	52.885	-1.45 - 10.17	-0.48 - 9.20

• The throw ratio is based on the value during projection with the projected image size of 2.54 m [100 in]

Screen aspect ratio 16:9 (3840 x 2160/ 1920 x 1080)

Unit: feet

Projection lens Model No.		ET-C1W300		ET-C1W400		ET-C1W500		Standard ET-C1S600		ET-C1T700		ET-C1W400 ET-C1W500 ET-C1S600 ET-C1T700		ET-C1W300	
Throw ratio		0.550-0.690:1		0.680-0.950:1		0.940-1.39:1		1.36-2.10:1		2.07-3.38:1		Distance from the lens center to the bottom edge of the projected image (H)			
Diagonal (SD)	Height (SH)	Width (SW)	Min. (LW)	Max. (LT)	Min. (LW)	Max. (LT)	Min. (LW)	Max. (LT)	Min. (LW)	Max. (LT)	Min. (LW)	Max. (LT)	Distance from the lens center to the bottom edge of the projected image (H)		
															m
1.778	70	2.86	5.09	2.77	3.47	3.41	4.80	4.75	7.02	6.86	10.62	10.44	17.10	-0.49 - 3.35	-0.16 - 3.02
2.032	80	3.27	5.81	3.18	3.99	3.91	5.50	5.45	8.05	7.87	12.17	11.97	19.59	-0.56 - 3.81	-0.20 - 3.44
2.286	90	3.68	6.54	3.59	4.50	4.42	6.20	6.14	9.07	8.88	13.71	13.50	22.07	-0.62 - 4.30	-0.20 - 3.87
2.540	100	4.08	7.26	4.00	5.01	4.93	6.91	6.84	10.10	9.89	15.26	15.04	24.55	-0.69 - 4.76	-0.23 - 4.30
3.048	120	4.90	8.72	4.82	6.04	5.94	8.31	8.22	12.14	11.91	18.35	18.11	29.52	-0.82 - 5.71	-0.26 - 5.18
3.810	150	6.13	10.90	6.04	7.58	7.46	10.42	10.31	15.22	14.94	22.99	22.71	36.96	-1.02 - 7.15	-0.33 - 6.46
5.080	200	8.17	14.53	8.09	10.15	9.99	13.94	13.79	20.34	19.99	30.72	30.38	49.38	-1.38 - 9.55	-0.46 - 8.63
6.350	250	10.21	18.16	10.14	12.72	12.53	17.46	17.26	25.46	25.05	38.46	38.06	61.79	-1.71 - 11.91	-0.56 - 10.79
7.620	300	12.26	21.79	12.19	15.29	15.06	20.97	20.73	30.58	30.10	46.19	45.73	74.20	-2.03 - 14.30	-0.69 - 12.93
8.890	350	14.30	25.42	14.25	17.86	17.59	24.49	24.21	35.70	35.15	53.92	53.40	86.62	-2.39 - 16.70	-0.79 - 15.09
10.160	400	16.34	29.05	16.30	20.43	20.12	28.00	27.68	40.82	40.21	61.66	61.07	99.03	-2.72 - 19.06	-0.92 - 17.26
12.700	500	20.43	36.32	20.40	25.56	25.19	35.04	34.63	51.07	50.31	77.12	76.42	123.85	-3.41 - 23.82	-1.15 - 21.55
15.240	600	24.51	43.58	24.50	30.70	30.25	42.07	41.58	61.31	60.42	92.59	91.76	148.68	-4.10 - 28.61	-1.38 - 25.89
17.780	700	28.60	50.84	28.60	35.84	35.32	49.11	48.53	71.55	70.53	108.05	107.10	173.51	-4.76 - 33.37	-1.57 - 30.18

• The throw ratio is based on the value during projection with the projected image size of 2.54 m [100 in]

Screen aspect ratio 4:3 (3200 x 2400/ 1600 x 1200)

Unit: meters

Projection lens Model No.		ET-C1W300		ET-C1W400		ET-C1W500		Standard ET-C1S600		ET-C1T700		ET-C1W400 ET-C1W500 ET-C1S600 ET-C1T700		ET-C1W300	
Throw ratio		0.660-0.830:1		0.820-1.140:1		1.130-1.67:1		1.64-2.52:1		2.49-4.06:1		Distance from the lens center to the bottom edge of the projected image (H)			
Diagonal (SD)		Height (SH)	Width (SW)	Min. (LW)	Max. (LT)	Min. (LW)	Max. (LT)	Min. (LW)	Max. (LT)	Min. (LW)	Max. (LT)	Min. (LW)	Max. (LT)		
m	inches														
1.778	70	1.067	1.422	0.931	1.170	1.149	1.614	1.599	2.362	2.308	3.572	3.513	5.751	-0.11 - 1.17	0.00 - 1.07
2.032	80	1.219	1.626	1.069	1.342	1.319	1.850	1.832	2.706	2.648	4.091	4.028	6.584	-0.12 - 1.34	0.00 - 1.22
2.286	90	1.372	1.829	1.207	1.515	1.489	2.086	2.065	3.050	2.987	4.610	4.543	7.418	-0.14 - 1.51	0.00 - 1.37
2.540	100	1.524	2.032	1.344	1.687	1.659	2.322	2.299	3.394	3.326	5.129	5.059	8.251	-0.15 - 1.68	0.00 - 1.52
3.048	120	1.829	2.438	1.620	2.032	1.999	2.795	2.765	4.082	4.005	6.168	6.089	9.918	-0.18 - 2.01	0.00 - 1.83
3.810	150	2.286	3.048	2.033	2.550	2.509	3.503	3.465	5.113	5.023	7.725	7.634	12.418	-0.23 - 2.52	0.00 - 2.29
5.080	200	3.048	4.064	2.721	3.412	3.359	4.684	4.632	6.832	6.719	10.322	10.210	16.586	-0.31 - 3.35	0.00 - 3.05
6.350	250	3.810	5.080	3.409	4.274	4.209	5.864	5.798	8.552	8.416	12.918	12.786	20.753	-0.38 - 4.19	0.00 - 3.81
7.620	300	4.572	6.096	4.098	5.137	5.060	7.045	6.965	10.271	10.112	15.514	15.362	24.920	-0.46 - 5.03	0.00 - 4.57
8.890	350	5.334	7.112	4.786	5.999	5.910	8.226	8.131	11.990	11.809	18.110	17.937	29.088	-0.53 - 5.87	0.00 - 5.33
10.160	400	6.096	8.128	5.474	6.862	6.760	9.406	9.298	13.710	13.505	20.706	20.513	33.255	-0.61 - 6.71	0.00 - 6.10
12.700	500	7.620	10.160	6.851	8.586	8.460	11.768	11.631	17.148	16.898	25.898	25.665	41.590	-0.76 - 8.38	0.00 - 7.62
15.240	600	9.144	12.192	8.227	10.311	10.161	14.129	13.964	20.587	20.291	31.091	30.816	49.924	-0.91 - 10.06	0.00 - 9.14
17.780	700	10.668	14.224	9.604	12.036	11.861	16.490	16.297	24.025	23.684	36.283	35.968	58.259	-1.07 - 11.74	0.00 - 10.67

• The throw ratio is based on the value during projection with the projected image size of 2.54 m [100 in]

Screen aspect ratio 4:3 (3200 x 2400/ 1600 x 1200)

Unit: feet

Projection lens Model No.		ET-C1W300		ET-C1W400		ET-C1W500		Standard ET-C1S600		ET-C1T700		ET-C1W400 ET-C1W500 ET-C1S600 ET-C1T700		ET-C1W300	
Throw ratio		0.660-0.830:1		0.820-1.140:1		1.130-1.67:1		1.64-2.52:1		2.49-4.06:1		Distance from the lens center to the bottom edge of the projected image (H)			
Diagonal (SD)		Height (SH)	Width (SW)	Min. (LW)	Max. (LT)	Min. (LW)	Max. (LT)	Min. (LW)	Max. (LT)	Min. (LW)	Max. (LT)	Min. (LW)	Max. (LT)		
m	inches														
1.778	70	3.50	4.67	3.05	3.84	3.77	5.30	5.25	7.75	7.57	11.72	11.53	18.87	-0.36 - 3.84	0.00 - 3.51
2.032	80	4.00	5.33	3.51	4.40	4.33	6.07	6.01	8.88	8.69	13.42	13.22	21.60	-0.39 - 4.40	0.00 - 4.00
2.286	90	4.50	6.00	3.96	4.97	4.89	6.84	6.77	10.01	9.80	15.12	14.90	24.34	-0.46 - 4.95	0.00 - 4.49
2.540	100	5.00	6.67	4.41	5.53	5.44	7.62	7.54	11.14	10.91	16.83	16.60	27.07	-0.49 - 5.51	0.00 - 4.99
3.048	120	6.00	8.00	5.31	6.67	6.56	9.17	9.07	13.39	13.14	20.24	19.98	32.54	-0.59 - 6.59	0.00 - 6.00
3.810	150	7.50	10.00	6.67	8.37	8.23	11.49	11.37	16.77	16.48	25.34	25.05	40.74	-0.75 - 8.27	0.00 - 7.51
5.080	200	10.00	13.33	8.93	11.19	11.02	15.37	15.20	22.41	22.04	33.86	33.50	54.42	-1.02 - 10.99	0.00 - 10.01
6.350	250	12.50	16.67	11.18	14.02	13.81	19.24	19.02	28.06	27.61	42.38	41.95	68.09	-1.25 - 13.75	0.00 - 12.50
7.620	300	15.00	20.00	13.44	16.85	16.60	23.11	22.85	33.70	33.18	50.90	50.40	81.76	-1.51 - 16.50	0.00 - 14.99
8.890	350	17.50	23.33	15.70	19.68	19.39	26.99	26.68	39.34	38.74	59.42	58.85	95.43	-1.74 - 19.26	0.00 - 17.49
10.160	400	20.00	26.67	17.96	22.51	22.18	30.86	30.50	44.98	44.31	67.93	67.30	109.10	-2.00 - 22.01	0.00 - 20.01
12.700	500	25.00	33.33	22.48	28.17	27.76	38.61	38.16	56.26	55.44	84.97	84.20	136.45	-2.49 - 27.49	0.00 - 25.00
15.240	600	30.00	40.00	26.99	33.83	33.34	46.35	45.81	67.54	66.57	102.00	101.10	163.79	-2.99 - 33.00	0.00 - 29.99
17.780	700	35.00	46.67	31.51	39.49	38.91	54.10	53.47	78.82	77.70	119.04	118.00	191.14	-3.51 - 38.52	0.00 - 35.01

• The throw ratio is based on the value during projection with the projected image size of 2.54 m [100 in]

Calculation of the projection distance

To use a projected image size not listed in this manual, check the projected image size SD (m) and use the respective formula to calculate the value.

The unit of all the formulae is m. (Values obtained by the following calculation formulae contain a slight error.)
When calculating the value using image size designation (value in inches), multiply the value in inches by 0.0254 and substitute it into SD in the formula.

Screen aspect ratio 16:10

Unit: m

Projection lens Model No.	Projection distance (L) formula	
	Min. (LW)	Max. (LT)
ET-C1W300	$=0.4787 \times SD - 0.0322$	$=0.5998 \times SD - 0.0376$
ET-C1W400	$=0.5913 \times SD - 0.0416$	$=0.8212 \times SD - 0.0389$
ET-C1W500	$=0.8114 \times SD - 0.0344$	$=1.1958 \times SD - 0.0448$
Standard zoom lens/ ET-C1S600	$=1.1800 \times SD - 0.0668$	$=1.8057 \times SD - 0.0631$
ET-C1T700	$=1.7915 \times SD - 0.0929$	$=2.8985 \times SD - 0.0835$

Screen aspect ratio 16:9

Unit: m

Projection lens Model No.	Projection distance (L) formula	
	Min. (LW)	Max. (LT)
ET-C1W300	$=0.4920 \times SD - 0.0322$	$=0.6165 \times SD - 0.0376$
ET-C1W400	$=0.6078 \times SD - 0.0416$	$=0.8440 \times SD - 0.0389$
ET-C1W500	$=0.8339 \times SD - 0.0344$	$=1.2291 \times SD - 0.0448$
Standard zoom lens/ ET-C1S600	$=1.2128 \times SD - 0.0668$	$=1.8559 \times SD - 0.0631$
ET-C1T700	$=1.8413 \times SD - 0.0929$	$=2.9791 \times SD - 0.0835$

Screen aspect ratio 4:3

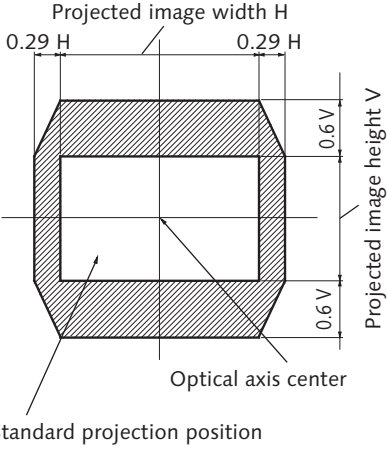
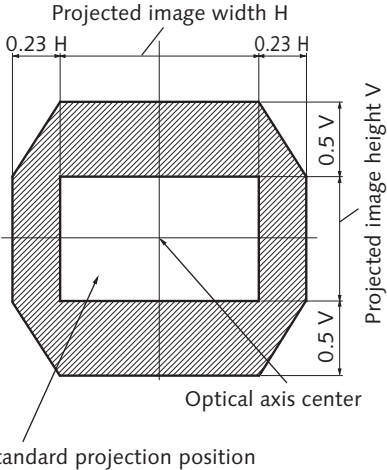
Unit: m

Projection lens Model No.	Projection distance (L) formula	
	Min. (LW)	Max. (LT)
ET-C1W300	$=0.5420 \times SD - 0.0322$	$=0.6791 \times SD - 0.0376$
ET-C1W400	$=0.6694 \times SD - 0.0416$	$=0.9297 \times SD - 0.0389$
ET-C1W500	$=0.9185 \times SD - 0.0344$	$=1.3538 \times SD - 0.0448$
Standard zoom lens/ ET-C1S600	$=1.3358 \times SD - 0.0668$	$=2.0442 \times SD - 0.0631$
ET-C1T700	$=2.0282 \times SD - 0.0929$	$=3.2813 \times SD - 0.0835$

Adjustment range by the lens position shift (optical shift)

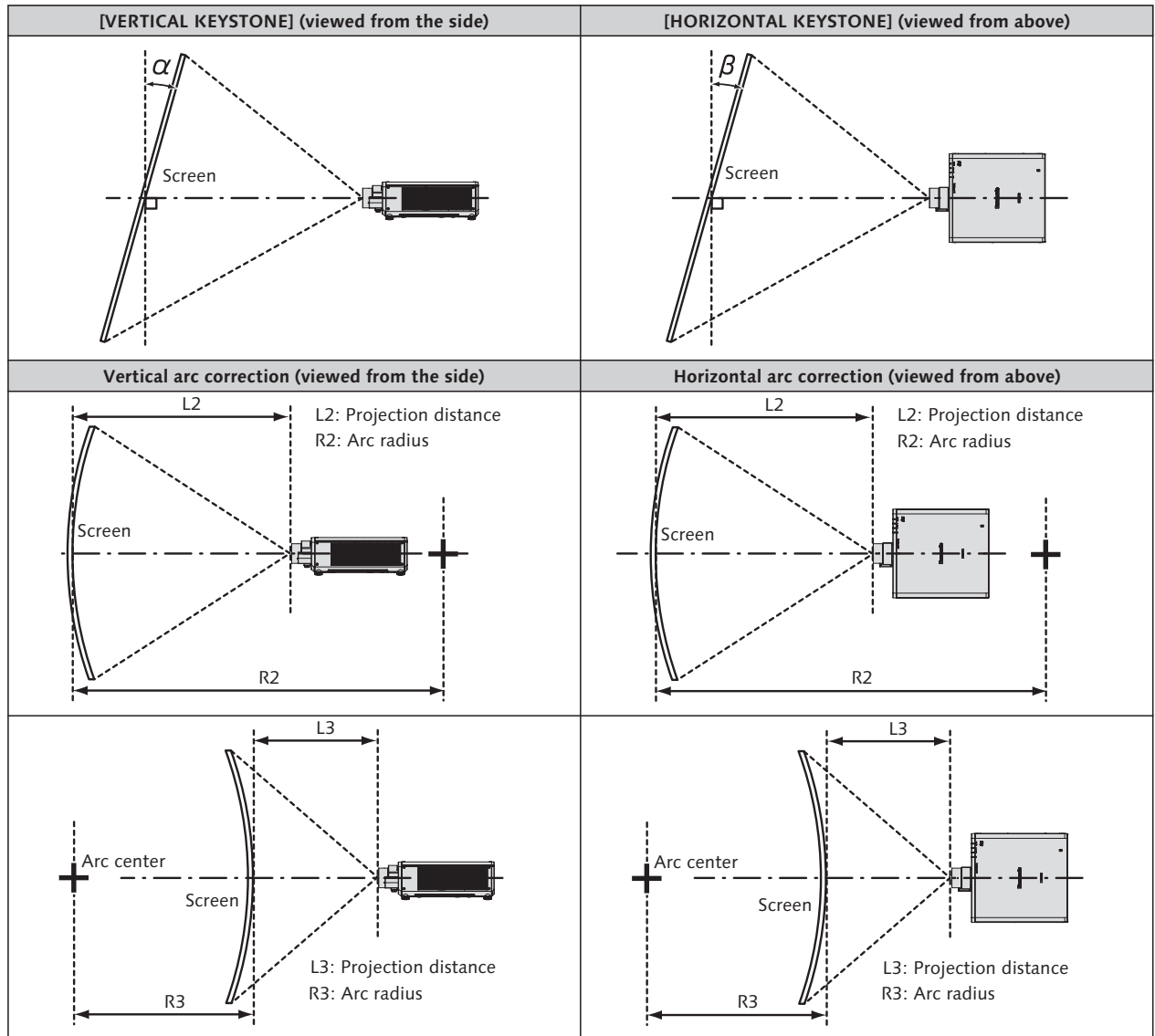
Based on the standard projection position using the optical axis shift function, the projection position can be adjusted in the range shown in the following figure.

Following figure shows the adjustment range when the projector is installed on the floor.

Projection lens Model No.	When ET-C1W400, ET-C1W500, ET-C1S600, ET-C1T700 is mounted.	When the ET-C1W300 is mounted.
Lens shift range		

- Optimal image can be achieved by installing the projector squarely in front of the screen and adjusting the lens shift lever to center.

[SCREEN ADJUSTMENT] projection range



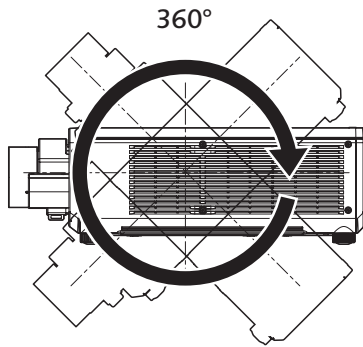
Projection lens Model No.	Only [KEYSTONE] used ¹		[KEYSTONE] and [CURVED CORRECTION] used together				Only [CURVED CORRECTION] used	
	Vertical keystone correction angle α (°)	Horizontal keystone correction angle β (°)	Vertical keystone correction angle α (°)	Horizontal keystone correction angle β (°)	Min. value of R2/L2	Min. value of R3/L3	Min. value of R2/L2	Min. value of R3/L3
ET-C1W300	±10	±5	-	-	-	-	-	-
ET-C1W400	±16	±10	-	-	-	-	-	-
ET-C1W500	±22	±15	±8	±8	1.3	3.3	0.8	1.9
Standard zoom lens/ ET-C1S600	±40	±40	±20	±15	1.3	3.3	0.8	1.9
ET-C1T700	±40	±40	±20	±15	0.9	2.0	0.5	1.1

¹ When [VERTICAL KEYSTONE] and [HORIZONTAL KEYSTONE] are used simultaneously, correction cannot be made exceeding total of 55°.

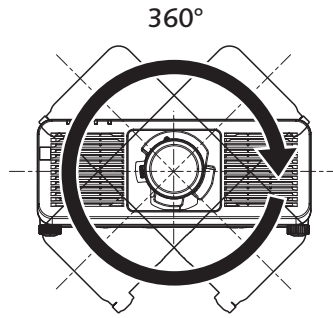
Installable angle

Install the projector at an angle within the range shown below.

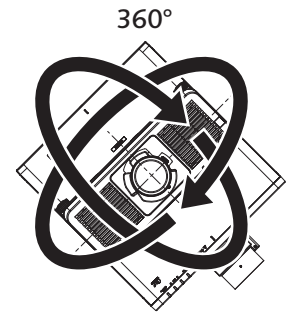
FULL 360-degree projection



Vertical 360-deg.



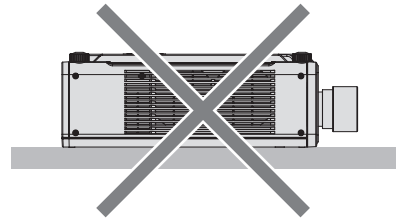
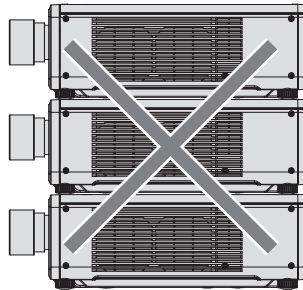
Horizontal 360-deg.



Tilting 360-deg.
(Vertical and Horizontal combination)

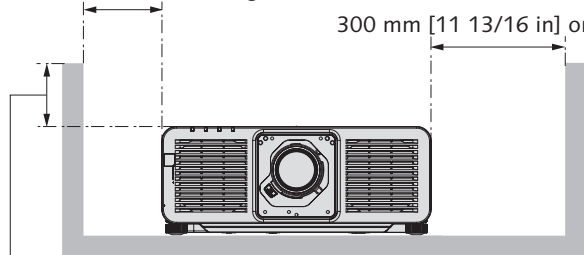
Notes on projector placement and operation

- Do not stack three or more projectors.
- Do not simultaneously use both projectors when stacked on top of each other. When stacking two projectors, use only one projector at a time and make the other as a backup device. Take a measure to prevent sliding off just in case.
- Do not use the projector supporting it by the top.



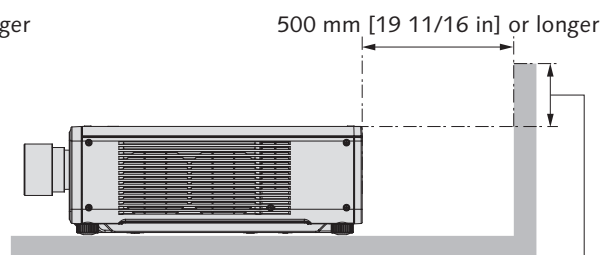
- Do not block the ventilation ports (intake and exhaust) of the projector.
- Prevent hot and cool air from the air conditioning system to blow directly into the ventilation ports (intake and exhaust) of the projector.

200 mm [7 7/8 in] or longer



100 mm [3 15/16 in] or less

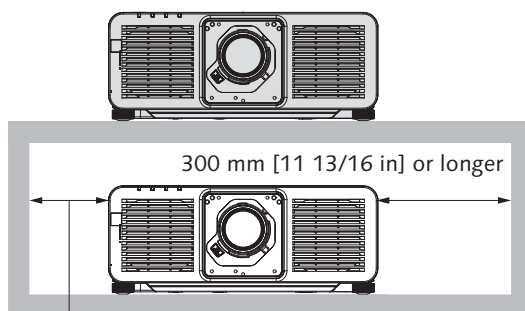
300 mm [11 13/16 in] or longer



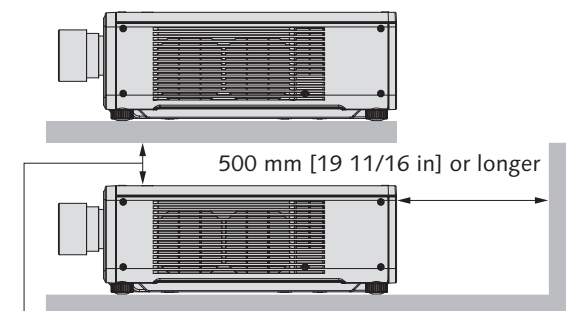
500 mm [19 11/16 in] or longer

100 mm [3 15/16 in] or less

- Do not install the projector in a confined space.
When installing the projector in a confined space, provide air conditioning or ventilation separately. Exhaust heat may accumulate when the ventilation is not enough, triggering the protection circuit of the projector.



200 mm [7 7/8 in] or longer



100 mm [3 15/16 in] or longer

- When installing and fixing the projector on a ceiling or wall using a mount, make sure that the fixing screw or power cord does not come in contact with metal section inside the ceiling or wall. Failure to observe this may result in electric shocks.
- Panasonic Connect Co., Ltd. takes no responsibility for any damage to the product caused by an inappropriate choice of location for installing the projector, even if the warranty period of the product has not expired.
- Immediately remove the product that is not in use anymore by asking a qualified technician.

List of compatible signals

The following table specifies the video signals compatible with the projector.

For details of SDI signal, refer to "List of single link SDI compatible signals". For details of SDI signal, refer to List of quad link SDI compatible signals". This projector supports the signal with ✓ in the compatible signal column.

- The content of the compatible signal column is as follows.

-V: Video signal -C: Computer signal

Signal Type	Signal name (SIGNAL FORMAT)	Resolution (Dots)	Scanning freq.		Dot clock freq. (MHz)	Compatible signal		
			Horizontal (kHz)	Vertical (Hz)		HDMI	DisplayPort	DIGITAL LINK ¹
V	480/60p	720 x 480	31.5	59.9	27.0	✓	–	✓
	576/50p	720 x 576	31.3	50.0	27.0	✓	–	✓
	720/60p	1280 x 720	45.0	60.0 ²	74.3	✓	✓	✓
	720/50p	1280 x 720	37.5	50.0	74.3	✓	✓	✓
	720/120p	1280 x 720	90.0	120.0 ²	148.5	✓	✓	✓
	1080/60i	1920 x 1080i	33.8	60.0 ²	74.3	✓	–	✓
	1080/50i	1920 x 1080i	28.1	50.0	74.3	✓	–	✓
	1080/24p	1920 x 1080	27.0	24.0 ²	74.3	✓	✓	✓
	1080/24sF	1920 x 1080	27.0	48.0 ²	74.3	✓	–	✓
	1080/25p	1920 x 1080	28.1	25.0	74.3	✓	✓	✓
	1080/30p	1920 x 1080	33.8	30.0 ²	74.3	✓	✓	✓
	1080/60p	1920 x 1080	67.5	60.0 ²	148.5	✓	✓	✓
	1080/50p	1920 x 1080	56.3	50.0	148.5	✓	✓	✓
	1080/120p	1920 x 1080	135.0	120.0 ²	297.0	✓	✓	✓
	2K/24p	2048 x 1080	27.0	24.0 ²	74.3	✓	✓	✓
	2K/25p	2048 x 1080	28.1	25.0	74.3	✓	✓	✓
	2K/30p	2048 x 1080	33.8	30.0 ²	74.3	✓	✓	✓
	2K/48p	2048 x 1080	54.0	48.0 ²	148.5	✓	✓	✓
	2K/60p	2048 x 1080	67.5	60.0 ²	148.5	✓	✓	✓
	2K/50p	2048 x 1080	56.3	50.0	148.5	✓	✓	✓
	2560 x 1080/60p	2560 x 1080	66.0	60.0 ²	198.0	✓	✓	✓
	2560 x 1080/50p	2560 x 1080	56.3	50.0	185.6	✓	✓	✓
	3840 x 2160/24p	3840 x 2160	54.0	24.0 ²	297.0	✓	✓	✓
	3840 x 2160/25p	3840 x 2160	56.3	25.0	297.0	✓	✓	✓
	3840 x 2160/30p	3840 x 2160	67.5	30.0 ²	297.0	✓	✓	✓
	3840 x 2160/60p	3840 x 2160	135.0	60.0 ²	297.0	✓ ³	–	✓ ³
		3840 x 2160	135.0	60.0 ²	594.0	✓	✓	–
	3840 x 2160/50p	3840 x 2160	112.5	50.0	297.0	✓ ³	–	✓ ³
		3840 x 2160	112.5	50.0	594.0	✓	✓	–
	4096 x 2160/24p	4096 x 2160	54.0	24.0 ²	297.0	✓	✓	✓
	4096 x 2160/25p	4096 x 2160	56.3	25.0	297.0	✓	✓	✓
	4096 x 2160/30p	4096 x 2160	67.5	30.0 ²	297.0	✓	✓	✓
	4096 x 2160/60p	4096 x 2160	135.0	60.0 ²	297.0	✓ ³	–	✓ ³
4096 x 2160		135.0	60.0 ²	594.0	✓	✓	–	
4096 x 2160/50p	4096 x 2160	112.5	50.0	297.0	✓ ³	–	✓ ³	
	4096 x 2160	112.5	50.0	594.0	✓	✓	–	
C	640 x 480/60	640 x 480	31.5	59.9	25.2	✓	✓	✓
	1024 x 768/50	1024 x 768	39.6	50.0	51.9	✓	✓	✓
	1024 x 768/60	1024 x 768	48.4	60.0	65.0	✓	✓	✓
	1280 x 800/50	1280 x 800	41.3	50.0	68.0	✓	✓	✓
	1280 x 800/60	1280 x 800	49.7	59.8	83.5	✓	✓	✓
	1280 x 1024/50	1280 x 1024	52.4	50.0	88.0	✓	–	✓
	1280 x 1024/60	1280 x 1024	64.0	60.0	108.0	✓	–	✓
	1366 x 768/50	1366 x 768	39.6	49.9	69.0	✓	–	✓
	1366 x 768/60	1366 x 768	47.7	59.8	85.5	✓	–	✓
	1400 x 1050/50	1400 x 1050	54.1	50.0	99.9	✓	✓	✓
	1400 x 1050/60	1400 x 1050	65.2	60.0	122.6	✓	✓	✓
	1440 x 900/50	1440 x 900	46.3	49.9	86.8	✓	–	✓
	1440 x 900/60	1440 x 900	55.9	59.9	106.5	✓	–	✓
	1600 x 900/50	1600 x 900	46.4	49.9	96.5	✓	✓	✓
	1600 x 900/60	1600 x 900	55.9	60.0	119.0	✓	✓	✓
	1600 x 1200/50	1600 x 1200	61.8	49.9	131.5	✓	✓	✓
	1600 x 1200/60	1600 x 1200	75.0	60.0	162.0	✓	✓	✓
	1680 x 1050/50	1680 x 1050	54.1	50.0	119.5	✓	–	✓
	1680 x 1050/60	1680 x 1050	65.3	60.0	146.3	✓	–	✓
	1920 x 1080/240	1920 x 1080	291.6	240.0	583.2	✓	✓	–
	1920 x 1200/50	1920 x 1200	61.8	49.9	158.3	✓	✓	✓
	1920 x 1200/60RB	1920 x 1200 ⁴	74.0	60.0	154.0	✓	✓	✓
2560 x 1440/50	2560 x 1440	74.1	50.0	256.3	✓	✓	✓	
2560 x 1440/60	2560 x 1440 ⁴	88.8	60.0	241.5	✓	✓	✓	
2560 x 1600/50	2560 x 1600	82.4	50.0	286.0	✓	✓	✓	

Signal Type	Signal name (SIGNAL FORMAT)	Resolution (Dots)	Scanning freq.		Dot clock freq. (MHz)	Compatible signal		
			Horizontal (kHz)	Vertical (Hz)		HDMI	DisplayPort	DIGITAL LINK ¹
C	2560 x 1600/60	2560 x 1600 ⁴	98.7	60.0	268.5	✓	✓	✓
	3440 x 1440/50	3440 x 1440 ⁴	73.7	50.0	259.4	✓	✓	–
	3440 x 1440/60	3440 x 1440 ⁴	88.9	60.0	312.8	✓	✓	–
	3840 x 2400/30	3840 x 2400 ⁴	73.0	30.0	286.2	✓	✓	✓
	3840 x 2400/50	3840 x 2400 ⁴	122.9	50.0	481.6	✓	✓	–
	3840 x 2400/60	3840 x 2400 ⁴	148.1	60.0	592.5	✓	✓	–

- 1 Requires TY-SB01DL Interface Board for DIGITAL LINK.
- 2 The signal with 1/1.001x vertical scanning frequency is also supported.
- 3 YPbPr 4:2:0 format only
- 4 VESA CVT-RB (Reduced Blanking)-compliant

Note

- A signal with a different resolution, including SDI signal, is displayed converted to the number of display dots. The number of display dots is as follows.
 - When the [QUAD PIXEL DRIVE] is set to [ON]: 3840 x 2400
 - When the [QUAD PIXEL DRIVE] is set to [OFF]: 1920 x 1200
- The "i" at the end of the resolution indicates an interlaced signal.
- When interlaced signals are connected, flickering may occur on the projected image.

List of Plug and play compatible signals

The following table specifies the video signals compatible with plug and play.

Signal with ✓ in the plug and play compatible signal column is the signal described in the EDID (extended display identification data) of the projector.

For the signal without ✓ in the plug and play compatible signal column, the resolution may not be selected on the computer even if the projector is supporting it.

Signal name (SIGNAL FORMAT)	Resolution (Dots)	Scanning freq.		Dot clock freq. (MHz)	Plug and play compatible signal								
		Horizontal (kHz)	Vertical (Hz)		HDMI			DisplayPort			DIGITAL LINK ¹		
					4K/60p ²	4K/30p	2K	4K/60p ²	4K/30p	2K	4K/60p	4K/30p ³	2K
480/60p	720 x 480	31.5	59.9	27.0	✓	✓	✓	–	–	–	✓	✓	✓
576/50p	720 x 576	31.3	50.0	27.0	✓	✓	✓	–	–	–	✓	✓	✓
720/60p	1280 x 720	45.0	60.0 ⁴	74.3	✓	✓	✓	✓	✓	✓	✓	✓	✓
720/50p	1280 x 720	37.5	50.0	74.3	✓	✓	✓	✓	✓	✓	✓	✓	✓
720/120p	1280 x 720	90.0	120.0 ⁴	148.5	–	–	–	–	–	–	–	–	–
1080/60i	1920 x 1080i	33.8	60.0 ⁴	74.3	✓	✓	✓	–	–	–	✓	✓	✓
1080/50i	1920 x 1080i	28.1	50.0	74.3	✓	✓	✓	–	–	–	✓	✓	✓
1080/24p	1920 x 1080	27.0	24.0 ⁴	74.3	✓	✓	✓	✓	✓	✓	✓	✓	✓
1080/24sF	1920 x 1080	27.0	48.0 ⁴	74.3	–	–	–	–	–	–	–	–	–
1080/25p	1920 x 1080	28.1	25.0	74.3	✓	✓	✓	✓	✓	✓	✓	✓	✓
1080/30p	1920 x 1080	33.8	30.0 ⁴	74.3	✓	✓	✓	✓	✓	✓	✓	✓	✓
1080/60p	1920 x 1080	67.5	60.0 ⁴	148.5	✓	✓	✓	✓	✓	✓	✓	✓	✓
1080/50p	1920 x 1080	56.3	50.0	148.5	✓	✓	✓	✓	✓	✓	✓	✓	✓
1080/120p	1920 x 1080	135.0	120.0 ⁴	297.0	✓	✓	–	✓	✓	–	✓	✓	–
2K/24p	2048 x 1080	27.0	24.0 ⁴	74.3	–	–	–	–	–	–	–	–	–
2K/25p	2048 x 1080	28.1	25.0	74.3	–	–	–	–	–	–	–	–	–
2K/30p	2048 x 1080	33.8	30.0 ⁴	74.3	–	–	–	–	–	–	–	–	–
2K/48p	2048 x 1080	54.0	48.0 ⁴	148.5	–	–	–	–	–	–	–	–	–
2K/60p	2048 x 1080	67.5	60.0 ⁴	148.5	–	–	–	–	–	–	–	–	–
2K/50p	2048 x 1080	56.3	50.0	148.5	–	–	–	–	–	–	–	–	–
2560 x 1080/60p	2560 x 1080	66.0	60.0 ⁴	198.0	✓	✓	–	✓	✓	–	✓	✓	–
2560 x 1080/50p	2560 x 1080	56.3	50.0	185.6	✓	✓	–	✓	✓	–	✓	✓	–
3840 x 2160/24p	3840 x 2160	54.0	24.0 ⁴	297.0	✓	✓	–	✓	✓	–	✓	✓	–
3840 x 2160/25p	3840 x 2160	56.3	25.0	297.0	✓	✓	–	✓	✓	–	✓	✓	–
3840 x 2160/30p	3840 x 2160	67.5	30.0 ⁴	297.0	✓	✓	–	✓	✓	–	✓	✓	–
3840 x 2160/60p	3840 x 2160	135.0	60.0 ⁴	297.0	✓ ⁵	–	–	–	–	–	✓ ⁵	–	–
	3840 x 2160	135.0	60.0 ⁴	594.0	✓	–	–	✓	–	–	–	–	–
3840 x 2160/50p	3840 x 2160	112.5	50.0	297.0	✓ ⁵	–	–	–	–	–	✓ ⁵	–	–
	3840 x 2160	112.5	50.0	594.0	✓	–	–	✓	–	–	–	–	–
4096 x 2160/24p	4096 x 2160	54.0	24.0 ⁴	297.0	✓	✓	–	✓	✓	–	✓	✓	–
4096 x 2160/25p	4096 x 2160	56.3	25.0	297.0	✓	✓	–	✓	✓	–	✓	✓	–
4096 x 2160/30p	4096 x 2160	67.5	30.0 ⁴	297.0	✓	✓	–	✓	✓	–	✓	✓	–
4096 x 2160/60p	4096 x 2160	135.0	60.0 ⁴	297.0	✓ ⁵	–	–	–	–	–	✓ ⁵	–	–
	4096 x 2160	135.0	60.0 ⁴	594.0	✓	–	–	✓	–	–	–	–	–
4096 x 2160/50p	4096 x 2160	112.5	50.0	297.0	✓ ⁵	–	–	–	–	–	✓ ⁵	–	–
	4096 x 2160	112.5	50.0	594.0	✓	–	–	✓	–	–	–	–	–
640 x 480/60	640 x 480	31.5	59.9	25.2	✓	✓	✓	✓	✓	✓	✓	✓	✓
1024 x 768/50	1024 x 768	39.6	50.0	51.9	–	–	–	–	–	–	–	–	–
1024 x 768/60	1024 x 768	48.4	60.0	65.0	✓	✓	✓	✓	✓	✓	✓	✓	✓
1280 x 800/50	1280 x 800	41.3	50.0	68.0	–	–	–	–	–	–	–	–	–
1280 x 800/60	1280 x 800	49.7	59.8	83.5	–	–	–	–	–	–	–	–	–
1280 x 1024/50	1280 x 1024	52.4	50.0	88.0	–	–	–	–	–	–	–	–	–
1280 x 1024/60	1280 x 1024	64.0	60.0	108.0	–	–	–	–	–	–	–	–	–
1366 x 768/50	1366 x 768	39.6	49.9	69.0	–	–	–	–	–	–	–	–	–
1366 x 768/60	1366 x 768	47.7	59.8	85.5	–	–	–	–	–	–	–	–	–
1400 x 1050/50	1400 x 1050	54.1	50.0	99.9	–	–	–	–	–	–	–	–	–
1400 x 1050/60	1400 x 1050	65.2	60.0	122.6	✓	✓	✓	✓	✓	✓	✓	✓	✓
1440 x 900/50	1440 x 900	46.3	49.9	86.8	–	–	–	–	–	–	–	–	–
1440 x 900/60	1440 x 900	55.9	59.9	106.5	–	–	–	–	–	–	–	–	–
1600 x 900/50	1600 x 900	46.4	49.9	96.5	–	–	–	–	–	–	–	–	–
1600 x 900/60	1600 x 900	55.9	60.0	119.0	✓	✓	✓	✓	✓	✓	✓	✓	✓
1600 x 1200/50	1600 x 1200	61.8	49.9	131.5	–	–	–	–	–	–	–	–	–
1600 x 1200/60	1600 x 1200	75.0	60.0	162.0	✓	✓	✓	✓	✓	✓	✓	✓	✓
1680 x 1050/50	1680 x 1050	54.1	50.0	119.5	–	–	–	–	–	–	–	–	–
1680 x 1050/60	1680 x 1050	65.3	60.0	146.3	–	–	–	–	–	–	–	–	–
1920 x 1080/240	1920 x 1080	291.6	240.0	583.2	✓	–	–	✓	–	–	–	–	–
1920 x 1200/50	1920 x 1200	61.8	49.9	158.3	–	–	–	–	–	–	–	–	–
1920 x 1200/60RB	1920 x 1200 ⁶	74.0	60.0	154.0	✓	✓	✓	✓	✓	✓	✓	✓	✓
2560 x 1440/50	2560 x 1440	74.1	50.0	256.3	–	–	–	–	–	–	–	–	–
2560 x 1440/60	2560 x 1440 ⁶	88.8	60.0	241.5	–	–	–	–	–	–	–	–	–
2560 x 1600/50	2560 x 1600	82.4	50.0	286.0	–	–	–	–	–	–	–	–	–

Signal name (SIGNAL FORMAT)	Resolution (Dots)	Scanning freq.		Dot clock freq. (MHz)	Plug and play compatible signal								
		Horizontal (kHz)	Vertical (Hz)		HDMI			DisplayPort			DIGITAL LINK ¹		
					4K/60p ²	4K/30p	2K	4K/60p ²	4K/30p	2K	4K/60p	4K/30p ³	2K
2560 x 1600/60	2560 x 1600 ⁶	98.7	60.0	268.5	✓	✓	–	✓	✓	–	✓	✓	–
3440 x 1440/50	3440 x 1440 ⁶	73.7	50.0	259.4	–	–	–	–	–	–	–	–	–
3440 x 1440/60	3440 x 1440 ⁶	88.9	60.0	312.8	–	–	–	–	–	–	–	–	–
3840 x 2400/30	3840 x 2400 ⁶	73.0	30.0	286.2	–	–	–	–	–	–	–	–	–
3840 x 2400/50	3840 x 2400 ⁶	122.9	50.0	481.6	–	–	–	–	–	–	–	–	–
3840 x 2400/60	3840 x 2400 ⁶	148.1	60.0	592.5	✓	–	–	✓	–	–	–	–	–

- 1 Requires TY-SB01DL Interface Board for DIGITAL LINK.
- 2 4K/60p indicates 4K/60p/SDR and 4K/60p/HDR.
- 3 4K/30p indicates 4K/30p/SDR and 4K/30p/HDR.
- 4 The signal with 1/1.001x vertical scanning frequency is also supported.
- 5 YPbPr 4:2:0 format only
- 6 VESA CVT-RB (Reduced Blanking)-compliant

Note

- A signal with a different resolution, including SDI signal, is displayed converted to the number of display dots. The number of display dots is as follows.
 - When the [QUAD PIXEL DRIVE] is set to [ON]: 3840 x 2400
 - When the [QUAD PIXEL DRIVE] is set to [OFF]: 1920 x 1200
- The "i" at the end of the resolution indicates an interlaced signal.
- When interlaced signals are connected, flickering may occur on the projected image.

List of Single link SDI compatible signals

The following table specifies the Single link SDI signals that the projector can project.

Requires TY-SB01QS Interface Board for 12G-SDI Input

- The content of the 4K division column is as follows.
 - IL: Interleave (transmission format of 2-Sample Interleave Division)
- The content of the signal type column is as follows.
 - V: Video signal

Signal Type	Signal name (SIGNAL FORMAT)	Resolution (Dots)	Scanning freq.		Dot clock freq. (MHz)	4K division	Format	Color format	Sampling
			Horizontal (kHz)	Vertical (Hz)					
V	1080/60i	1920 x 1080i	33.8	60.0 ¹	74.3	—	HD-SDI	YPbPr	4:2:2 10bit
		1920 x 1080i	33.8	60.0 ¹	74.3	—	3G-SDI Level-A	RGB	4:4:4 10bit
		1920 x 1080i	33.8	60.0 ¹	74.3	—	3G-SDI Level-B	RGB	4:4:4 10bit
		1920 x 1080i	33.8	60.0 ¹	74.3	—	3G-SDI Level-A	RGB	4:4:4 12bit
	1080/50i	1920 x 1080i	28.1	50.0	74.3	—	HD-SDI	YPbPr	4:2:2 10bit
		1920 x 1080i	28.1	50.0	74.3	—	3G-SDI Level-A	RGB	4:4:4 10bit
		1920 x 1080i	28.1	50.0	74.3	—	3G-SDI Level-B	RGB	4:4:4 10bit
		1920 x 1080i	28.1	50.0	74.3	—	3G-SDI Level-A	RGB	4:4:4 12bit
	1080/24p	1920 x 1080	27.0	24.0 ¹	74.3	—	HD-SDI	YPbPr	4:2:2 10bit
		1920 x 1080	27.0	24.0 ¹	74.3	—	3G-SDI Level-A	RGB	4:4:4 10bit
		1920 x 1080	27.0	24.0 ¹	74.3	—	3G-SDI Level-B	RGB	4:4:4 10bit
		1920 x 1080	27.0	24.0 ¹	74.3	—	3G-SDI Level-A	RGB	4:4:4 12bit
	1080/25p	1920 x 1080	27.0	24.0 ¹	74.3	—	3G-SDI Level-B	RGB	4:4:4 12bit
		1920 x 1080	28.1	25.0	74.3	—	HD-SDI	YPbPr	4:2:2 10bit
		1920 x 1080	28.1	25.0	74.3	—	3G-SDI Level-A	RGB	4:4:4 10bit
		1920 x 1080	28.1	25.0	74.3	—	3G-SDI Level-B	RGB	4:4:4 10bit
	1080/30p	1920 x 1080	28.1	25.0	74.3	—	3G-SDI Level-A	RGB	4:4:4 12bit
		1920 x 1080	28.1	25.0	74.3	—	3G-SDI Level-B	RGB	4:4:4 12bit
		1920 x 1080	33.8	30.0 ¹	74.3	—	HD-SDI	YPbPr	4:2:2 10bit
		1920 x 1080	33.8	30.0 ¹	74.3	—	3G-SDI Level-A	RGB	4:4:4 10bit
	1080/60p	1920 x 1080	33.8	30.0 ¹	74.3	—	3G-SDI Level-B	RGB	4:4:4 10bit
		1920 x 1080	33.8	30.0 ¹	74.3	—	3G-SDI Level-A	RGB	4:4:4 12bit
		1920 x 1080	67.5	60.0 ¹	148.5	—	3G-SDI Level-B	RGB	4:4:4 12bit
		1920 x 1080	67.5	60.0 ¹	148.5	—	3G-SDI Level-A	YPbPr	4:2:2 10bit
	1080/50p	1920 x 1080	56.3	50.0	148.5	—	3G-SDI Level-B	YPbPr	4:2:2 10bit
		1920 x 1080	56.3	50.0	148.5	—	3G-SDI Level-A	YPbPr	4:2:2 10bit
	2K/24p	2048 x 1080	27.0	24.0 ¹	74.3	—	3G-SDI Level-A	RGB	4:4:4 10bit
		2048 x 1080	27.0	24.0 ¹	74.3	—	3G-SDI Level-B	RGB	4:4:4 10bit
		2048 x 1080	27.0	24.0 ¹	74.3	—	3G-SDI Level-A	RGB	4:4:4 12bit
		2048 x 1080	27.0	24.0 ¹	74.3	—	3G-SDI Level-B	RGB	4:4:4 12bit
	2K/25p	2048 x 1080	28.1	25.0	74.3	—	3G-SDI Level-A	RGB	4:4:4 10bit
		2048 x 1080	28.1	25.0	74.3	—	3G-SDI Level-B	RGB	4:4:4 10bit
		2048 x 1080	28.1	25.0	74.3	—	3G-SDI Level-A	RGB	4:4:4 12bit
		2048 x 1080	28.1	25.0	74.3	—	3G-SDI Level-B	RGB	4:4:4 12bit
	2K/30p	2048 x 1080	28.1	25.0	74.3	—	3G-SDI Level-A	RGB	4:4:4 12bit
		2048 x 1080	33.8	30.0 ¹	74.3	—	3G-SDI Level-B	RGB	4:4:4 10bit
		2048 x 1080	33.8	30.0 ¹	74.3	—	3G-SDI Level-A	RGB	4:4:4 12bit
		2048 x 1080	33.8	30.0 ¹	74.3	—	3G-SDI Level-B	RGB	4:4:4 12bit
	2K/60p	2048 x 1080	67.5	60.0 ¹	148.5	—	3G-SDI Level-A	YPbPr	4:2:2 10bit
		2048 x 1080	67.5	60.0 ¹	148.5	—	3G-SDI Level-B	YPbPr	4:2:2 10bit
	2K/50p	2048 x 1080	56.3	50.0	148.5	—	3G-SDI Level-A	YPbPr	4:2:2 10bit
		2048 x 1080	56.3	50.0	148.5	—	3G-SDI Level-B	YPbPr	4:2:2 10bit
	3840 x 2160/24p	3840 x 2160	54.0	24.0 ¹	297.0	IL	12G-SDI Type1	YPbPr	4:2:2 12bit
		3840 x 2160	54.0	24.0 ¹	297.0	IL	12G-SDI Type1	YPbPr	4:4:4 10bit
		3840 x 2160	54.0	24.0 ¹	297.0	IL	12G-SDI Type1	YPbPr	4:4:4 12bit
		3840 x 2160	54.0	24.0 ¹	297.0	IL	12G-SDI Type1	RGB	4:4:4 10bit
	3840 x 2160/25p	3840 x 2160	54.0	24.0 ¹	297.0	IL	12G-SDI Type1	RGB	4:4:4 12bit
		3840 x 2160	56.3	25.0	297.0	IL	12G-SDI Type1	YPbPr	4:2:2 12bit
3840 x 2160		56.3	25.0	297.0	IL	12G-SDI Type1	YPbPr	4:4:4 10bit	
3840 x 2160		56.3	25.0	297.0	IL	12G-SDI Type1	YPbPr	4:4:4 12bit	
3840 x 2160/30p	3840 x 2160	56.3	25.0	297.0	IL	12G-SDI Type1	RGB	4:4:4 10bit	
	3840 x 2160	56.3	25.0	297.0	IL	12G-SDI Type1	RGB	4:4:4 12bit	
	3840 x 2160	67.5	30.0 ¹	297.0	IL	12G-SDI Type1	YPbPr	4:2:2 12bit	
	3840 x 2160	67.5	30.0 ¹	297.0	IL	12G-SDI Type1	YPbPr	4:4:4 10bit	
3840 x 2160/30p	3840 x 2160	67.5	30.0 ¹	297.0	IL	12G-SDI Type1	YPbPr	4:4:4 12bit	
	3840 x 2160	67.5	30.0 ¹	297.0	IL	12G-SDI Type1	YPbPr	4:4:4 12bit	
	3840 x 2160	67.5	30.0 ¹	297.0	IL	12G-SDI Type1	RGB	4:4:4 10bit	
	3840 x 2160	67.5	30.0 ¹	297.0	IL	12G-SDI Type1	RGB	4:4:4 12bit	

Signal Type	Signal name (SIGNAL FORMAT)	Resolution (Dots)	Scanning freq.		Dot clock freq. (MHz)	4K division	Format	Color format	Sampling	
			Horizontal (kHz)	Vertical (Hz)						
V	3840 x 2160/60p	3840 x 2160	135.0	60.0 ¹	594.0	IL	12G-SDI Type1	YPbPr	4:2:2 10bit	
	3840 x 2160/50p	3840 x 2160	112.5	50.0	594.0	IL	12G-SDI Type1	YPbPr	4:2:2 10bit	
	4096 x 2160/24p	4096 x 2160	4096 x 2160	54.0	24.0 ¹	297.0	IL	12G-SDI Type1	YPbPr	4:2:2 12bit
		4096 x 2160	4096 x 2160	54.0	24.0 ¹	297.0	IL	12G-SDI Type1	YPbPr	4:4:4 10bit
		4096 x 2160	4096 x 2160	54.0	24.0 ¹	297.0	IL	12G-SDI Type1	YPbPr	4:4:4 12bit
		4096 x 2160	4096 x 2160	54.0	24.0 ¹	297.0	IL	12G-SDI Type1	RGB	4:4:4 10bit
		4096 x 2160	4096 x 2160	54.0	24.0 ¹	297.0	IL	12G-SDI Type1	RGB	4:4:4 12bit
	4096 x 2160/25p	4096 x 2160	4096 x 2160	56.3	25.0	297.0	IL	12G-SDI Type1	YPbPr	4:2:2 12bit
		4096 x 2160	4096 x 2160	56.3	25.0	297.0	IL	12G-SDI Type1	YPbPr	4:4:4 10bit
		4096 x 2160	4096 x 2160	56.3	25.0	297.0	IL	12G-SDI Type1	YPbPr	4:4:4 12bit
		4096 x 2160	4096 x 2160	56.3	25.0	297.0	IL	12G-SDI Type1	RGB	4:4:4 10bit
		4096 x 2160	4096 x 2160	56.3	25.0	297.0	IL	12G-SDI Type1	RGB	4:4:4 12bit
	4096 x 2160/30p	4096 x 2160	4096 x 2160	67.5	30.0 ¹	297.0	IL	12G-SDI Type1	YPbPr	4:2:2 12bit
		4096 x 2160	4096 x 2160	67.5	30.0 ¹	297.0	IL	12G-SDI Type1	YPbPr	4:4:4 10bit
		4096 x 2160	4096 x 2160	67.5	30.0 ¹	297.0	IL	12G-SDI Type1	YPbPr	4:4:4 12bit
		4096 x 2160	4096 x 2160	67.5	30.0 ¹	297.0	IL	12G-SDI Type1	RGB	4:4:4 10bit
		4096 x 2160	4096 x 2160	67.5	30.0 ¹	297.0	IL	12G-SDI Type1	RGB	4:4:4 12bit
	4096 x 2160/60p	4096 x 2160	135.0	60.0 ¹	594.0	IL	12G-SDI Type1	YPbPr	4:2:2 10bit	
	4096 x 2160/50p	4096 x 2160	112.5	50.0	594.0	IL	12G-SDI Type1	YPbPr	4:2:2 10bit	

1 The signal with 1/1.001x vertical scanning frequency is also supported.

List of Quad link SDI compatible signals

The following table specifies the dual signal SDI signals that the projector can project.

Requires TY-SB01QS Interface Board for 12G-SDI Input.

- The content of the 4K division column is as follows.
 - SQ: Square (transmission format of Square Division) -IL: Interleave (transmission format of 2-Sample Interleave Division)
- The content of the signal type column is as follows.
 - V: Video signal

Signal Type	Signal name (SIGNAL FORMAT)	Resolution (Dots)	Scanning freq.		Dot clock freq. (MHz)	4K division	Format	Color format	Sampling
			Horizontal (kHz)	Vertical (Hz)					
V	3840 x 2160/24p	3840 x 2160	54.0	24.0 ¹	297.0	SQ	HD-SDI	YPbPr	4:2:2 10bit
		3840 x 2160	54.0	24.0 ¹	297.0	SQ	3G-SDI Level-A	YPbPr	4:2:2 12bit
		3840 x 2160	54.0	24.0 ¹	297.0	IL	3G-SDI Level-A	YPbPr	4:2:2 12bit
		3840 x 2160	54.0	24.0 ¹	297.0	SQ	3G-SDI Level-B	YPbPr	4:2:2 12bit
		3840 x 2160	54.0	24.0 ¹	297.0	IL	3G-SDI Level-B	YPbPr	4:2:2 12bit
		3840 x 2160	54.0	24.0 ¹	297.0	SQ	3G-SDI Level-A	YPbPr	4:4:4 10bit
		3840 x 2160	54.0	24.0 ¹	297.0	IL	3G-SDI Level-A	YPbPr	4:4:4 10bit
		3840 x 2160	54.0	24.0 ¹	297.0	SQ	3G-SDI Level-B	YPbPr	4:4:4 10bit
		3840 x 2160	54.0	24.0 ¹	297.0	IL	3G-SDI Level-B	YPbPr	4:4:4 10bit
		3840 x 2160	54.0	24.0 ¹	297.0	SQ	3G-SDI Level-A	YPbPr	4:4:4 12bit
		3840 x 2160	54.0	24.0 ¹	297.0	IL	3G-SDI Level-A	YPbPr	4:4:4 12bit
		3840 x 2160	54.0	24.0 ¹	297.0	SQ	3G-SDI Level-B	YPbPr	4:4:4 12bit
		3840 x 2160	54.0	24.0 ¹	297.0	IL	3G-SDI Level-B	YPbPr	4:4:4 12bit
		3840 x 2160	54.0	24.0 ¹	297.0	SQ	3G-SDI Level-A	RGB	4:4:4 10bit
		3840 x 2160	54.0	24.0 ¹	297.0	IL	3G-SDI Level-A	RGB	4:4:4 10bit
		3840 x 2160	54.0	24.0 ¹	297.0	SQ	3G-SDI Level-B	RGB	4:4:4 10bit
		3840 x 2160	54.0	24.0 ¹	297.0	IL	3G-SDI Level-B	RGB	4:4:4 10bit
		3840 x 2160/25p	3840 x 2160	56.3	25.0	297.0	SQ	HD-SDI	YPbPr
	3840 x 2160		56.3	25.0	297.0	SQ	3G-SDI Level-A	YPbPr	4:2:2 12bit
	3840 x 2160		56.3	25.0	297.0	IL	3G-SDI Level-A	YPbPr	4:2:2 12bit
	3840 x 2160		56.3	25.0	297.0	SQ	3G-SDI Level-B	YPbPr	4:2:2 12bit
	3840 x 2160		56.3	25.0	297.0	IL	3G-SDI Level-B	YPbPr	4:2:2 12bit
	3840 x 2160		56.3	25.0	297.0	SQ	3G-SDI Level-A	YPbPr	4:4:4 10bit
	3840 x 2160		56.3	25.0	297.0	IL	3G-SDI Level-A	YPbPr	4:4:4 10bit
	3840 x 2160		56.3	25.0	297.0	SQ	3G-SDI Level-B	YPbPr	4:4:4 10bit
	3840 x 2160		56.3	25.0	297.0	IL	3G-SDI Level-B	YPbPr	4:4:4 10bit
	3840 x 2160		56.3	25.0	297.0	SQ	3G-SDI Level-A	YPbPr	4:4:4 12bit
	3840 x 2160		56.3	25.0	297.0	IL	3G-SDI Level-A	YPbPr	4:4:4 12bit
	3840 x 2160		56.3	25.0	297.0	SQ	3G-SDI Level-B	YPbPr	4:4:4 12bit
	3840 x 2160		56.3	25.0	297.0	IL	3G-SDI Level-B	YPbPr	4:4:4 12bit
	3840 x 2160		56.3	25.0	297.0	SQ	3G-SDI Level-A	RGB	4:4:4 10bit
	3840 x 2160		56.3	25.0	297.0	IL	3G-SDI Level-A	RGB	4:4:4 10bit
	3840 x 2160		56.3	25.0	297.0	SQ	3G-SDI Level-B	RGB	4:4:4 10bit
	3840 x 2160		56.3	25.0	297.0	IL	3G-SDI Level-B	RGB	4:4:4 10bit
	3840 x 2160/30p		3840 x 2160	67.5	30.0 ¹	297.0	SQ	HD-SDI	YPbPr
		3840 x 2160	67.5	30.0 ¹	297.0	SQ	3G-SDI Level-A	YPbPr	4:2:2 12bit
		3840 x 2160	67.5	30.0 ¹	297.0	IL	3G-SDI Level-A	YPbPr	4:2:2 12bit
		3840 x 2160	67.5	30.0 ¹	297.0	SQ	3G-SDI Level-B	YPbPr	4:2:2 12bit
		3840 x 2160	67.5	30.0 ¹	297.0	IL	3G-SDI Level-B	YPbPr	4:2:2 12bit
		3840 x 2160	67.5	30.0 ¹	297.0	SQ	3G-SDI Level-A	YPbPr	4:4:4 10bit
		3840 x 2160	67.5	30.0 ¹	297.0	IL	3G-SDI Level-A	YPbPr	4:4:4 10bit
		3840 x 2160	67.5	30.0 ¹	297.0	SQ	3G-SDI Level-B	YPbPr	4:4:4 10bit
3840 x 2160		67.5	30.0 ¹	297.0	IL	3G-SDI Level-B	YPbPr	4:4:4 10bit	
3840 x 2160		67.5	30.0 ¹	297.0	SQ	3G-SDI Level-A	YPbPr	4:4:4 12bit	
3840 x 2160		67.5	30.0 ¹	297.0	IL	3G-SDI Level-A	YPbPr	4:4:4 12bit	
3840 x 2160		67.5	30.0 ¹	297.0	SQ	3G-SDI Level-B	YPbPr	4:4:4 12bit	
3840 x 2160		67.5	30.0 ¹	297.0	IL	3G-SDI Level-B	YPbPr	4:4:4 12bit	
3840 x 2160		67.5	30.0 ¹	297.0	SQ	3G-SDI Level-A	RGB	4:4:4 10bit	
3840 x 2160		67.5	30.0 ¹	297.0	IL	3G-SDI Level-A	RGB	4:4:4 10bit	
3840 x 2160		67.5	30.0 ¹	297.0	SQ	3G-SDI Level-B	RGB	4:4:4 10bit	
3840 x 2160	67.5	30.0 ¹	297.0	IL	3G-SDI Level-B	RGB	4:4:4 10bit		

Signal Type	Signal name (SIGNAL FORMAT)	Resolution (Dots)	Scanning freq.		Dot clock freq. (MHz)	4K division	Format	Color format	Sampling	
			Horizontal (kHz)	Vertical (Hz)						
V	3840 x 2160/30p	3840 x 2160	67.5	30.0 ¹	297.0	SQ	3G-SDI Level-A	RGB	4:4:4 12bit	
		3840 x 2160	67.5	30.0 ¹	297.0	IL	3G-SDI Level-A	RGB	4:4:4 12bit	
		3840 x 2160	67.5	30.0 ¹	297.0	SQ	3G-SDI Level-B	RGB	4:4:4 12bit	
		3840 x 2160	67.5	30.0 ¹	297.0	IL	3G-SDI Level-B	RGB	4:4:4 12bit	
	3840 x 2160/60p	3840 x 2160	135.0	60.0 ¹	594.0	SQ	3G-SDI Level-A	YPbPr	4:2:2 10bit	
		3840 x 2160	135.0	60.0 ¹	594.0	IL	3G-SDI Level-A	YPbPr	4:2:2 10bit	
		3840 x 2160	135.0	60.0 ¹	594.0	SQ	3G-SDI Level-B	YPbPr	4:2:2 10bit	
	3840 x 2160/50p	3840 x 2160	112.5	50.0	594.0	SQ	3G-SDI Level-A	YPbPr	4:2:2 10bit	
		3840 x 2160	112.5	50.0	594.0	IL	3G-SDI Level-A	YPbPr	4:2:2 10bit	
		3840 x 2160	112.5	50.0	594.0	SQ	3G-SDI Level-B	YPbPr	4:2:2 10bit	
		3840 x 2160	112.5	50.0	594.0	IL	3G-SDI Level-B	YPbPr	4:2:2 10bit	
	4096 x 2160/24p	4096 x 2160	54.0	24.0 ¹	297.0	SQ	HD-SDI	YPbPr	4:2:2 10bit	
		4096 x 2160	54.0	24.0 ¹	297.0	SQ	3G-SDI Level-A	YPbPr	4:2:2 12bit	
		4096 x 2160	54.0	24.0 ¹	297.0	IL	3G-SDI Level-A	YPbPr	4:2:2 12bit	
		4096 x 2160	54.0	24.0 ¹	297.0	SQ	3G-SDI Level-B	YPbPr	4:2:2 12bit	
		4096 x 2160	54.0	24.0 ¹	297.0	IL	3G-SDI Level-B	YPbPr	4:2:2 12bit	
		4096 x 2160	54.0	24.0 ¹	297.0	SQ	3G-SDI Level-A	YPbPr	4:4:4 10bit	
		4096 x 2160	54.0	24.0 ¹	297.0	IL	3G-SDI Level-A	YPbPr	4:4:4 10bit	
		4096 x 2160	54.0	24.0 ¹	297.0	SQ	3G-SDI Level-B	YPbPr	4:4:4 10bit	
		4096 x 2160	54.0	24.0 ¹	297.0	IL	3G-SDI Level-B	YPbPr	4:4:4 10bit	
		4096 x 2160	54.0	24.0 ¹	297.0	SQ	3G-SDI Level-A	YPbPr	4:4:4 12bit	
		4096 x 2160	54.0	24.0 ¹	297.0	IL	3G-SDI Level-A	YPbPr	4:4:4 12bit	
		4096 x 2160	54.0	24.0 ¹	297.0	SQ	3G-SDI Level-B	YPbPr	4:4:4 12bit	
		4096 x 2160	54.0	24.0 ¹	297.0	IL	3G-SDI Level-B	YPbPr	4:4:4 12bit	
		4096 x 2160	54.0	24.0 ¹	297.0	SQ	3G-SDI Level-A	RGB	4:4:4 10bit	
		4096 x 2160	54.0	24.0 ¹	297.0	IL	3G-SDI Level-A	RGB	4:4:4 10bit	
		4096 x 2160	54.0	24.0 ¹	297.0	SQ	3G-SDI Level-B	RGB	4:4:4 10bit	
		4096 x 2160	54.0	24.0 ¹	297.0	IL	3G-SDI Level-B	RGB	4:4:4 10bit	
		4096 x 2160/25p	4096 x 2160	56.3	25.0	297.0	SQ	HD-SDI	YPbPr	4:2:2 10bit
			4096 x 2160	56.3	25.0	297.0	SQ	3G-SDI Level-A	YPbPr	4:2:2 12bit
			4096 x 2160	56.3	25.0	297.0	IL	3G-SDI Level-A	YPbPr	4:2:2 12bit
	4096 x 2160		56.3	25.0	297.0	SQ	3G-SDI Level-B	YPbPr	4:2:2 12bit	
	4096 x 2160		56.3	25.0	297.0	IL	3G-SDI Level-B	YPbPr	4:2:2 12bit	
	4096 x 2160		56.3	25.0	297.0	SQ	3G-SDI Level-A	YPbPr	4:4:4 10bit	
	4096 x 2160		56.3	25.0	297.0	IL	3G-SDI Level-A	YPbPr	4:4:4 10bit	
	4096 x 2160		56.3	25.0	297.0	SQ	3G-SDI Level-B	YPbPr	4:4:4 10bit	
	4096 x 2160		56.3	25.0	297.0	IL	3G-SDI Level-B	YPbPr	4:4:4 10bit	
	4096 x 2160		56.3	25.0	297.0	SQ	3G-SDI Level-A	YPbPr	4:4:4 12bit	
	4096 x 2160		56.3	25.0	297.0	IL	3G-SDI Level-A	YPbPr	4:4:4 12bit	
	4096 x 2160		56.3	25.0	297.0	SQ	3G-SDI Level-B	YPbPr	4:4:4 12bit	
	4096 x 2160		56.3	25.0	297.0	IL	3G-SDI Level-B	YPbPr	4:4:4 12bit	
	4096 x 2160		56.3	25.0	297.0	SQ	3G-SDI Level-A	RGB	4:4:4 10bit	
	4096 x 2160		56.3	25.0	297.0	IL	3G-SDI Level-A	RGB	4:4:4 10bit	
	4096 x 2160		56.3	25.0	297.0	SQ	3G-SDI Level-B	RGB	4:4:4 10bit	
	4096 x 2160		56.3	25.0	297.0	IL	3G-SDI Level-B	RGB	4:4:4 10bit	
	4096 x 2160/30p		4096 x 2160	67.5	30.0 ¹	297.0	SQ	HD-SDI	YPbPr	4:2:2 10bit
			4096 x 2160	67.5	30.0 ¹	297.0	SQ	3G-SDI Level-A	YPbPr	4:2:2 12bit
			4096 x 2160	67.5	30.0 ¹	297.0	IL	3G-SDI Level-A	YPbPr	4:2:2 12bit
		4096 x 2160	67.5	30.0 ¹	297.0	SQ	3G-SDI Level-B	YPbPr	4:2:2 12bit	
		4096 x 2160	67.5	30.0 ¹	297.0	IL	3G-SDI Level-B	YPbPr	4:2:2 12bit	
4096 x 2160		67.5	30.0 ¹	297.0	SQ	3G-SDI Level-A	YPbPr	4:4:4 10bit		
4096 x 2160		67.5	30.0 ¹	297.0	IL	3G-SDI Level-A	YPbPr	4:4:4 10bit		
4096 x 2160		67.5	30.0 ¹	297.0	SQ	3G-SDI Level-B	YPbPr	4:4:4 10bit		
4096 x 2160		67.5	30.0 ¹	297.0	IL	3G-SDI Level-B	YPbPr	4:4:4 10bit		
4096 x 2160		67.5	30.0 ¹	297.0	SQ	3G-SDI Level-A	YPbPr	4:4:4 12bit		
4096 x 2160		67.5	30.0 ¹	297.0	IL	3G-SDI Level-A	YPbPr	4:4:4 12bit		
4096 x 2160		67.5	30.0 ¹	297.0	SQ	3G-SDI Level-B	YPbPr	4:4:4 12bit		
4096 x 2160		67.5	30.0 ¹	297.0	IL	3G-SDI Level-B	YPbPr	4:4:4 12bit		
4096 x 2160		67.5	30.0 ¹	297.0	SQ	3G-SDI Level-A	RGB	4:4:4 10bit		
4096 x 2160		67.5	30.0 ¹	297.0	IL	3G-SDI Level-A	RGB	4:4:4 10bit		

Signal Type	Signal name (SIGNAL FORMAT)	Resolution (Dots)	Scanning freq.		Dot clock freq. (MHz)	4K division	Format	Color format	Sampling
			Horizontal (kHz)	Vertical (Hz)					
V	4096 x 2160/30p	4096 x 2160	67.5	30.0 ¹	297.0	IL	3G-SDI Level-A	RGB	4:4:4 10bit
		4096 x 2160	67.5	30.0 ¹	297.0	SQ	3G-SDI Level-B	RGB	4:4:4 10bit
		4096 x 2160	67.5	30.0 ¹	297.0	IL	3G-SDI Level-B	RGB	4:4:4 10bit
		4096 x 2160	67.5	30.0 ¹	297.0	SQ	3G-SDI Level-A	RGB	4:4:4 12bit
		4096 x 2160	67.5	30.0 ¹	297.0	IL	3G-SDI Level-A	RGB	4:4:4 12bit
		4096 x 2160	67.5	30.0 ¹	297.0	SQ	3G-SDI Level-B	RGB	4:4:4 12bit
	4096 x 2160/60p	4096 x 2160	135.0	60.0 ¹	594.0	SQ	3G-SDI Level-A	YPbPr	4:2:2 10bit
		4096 x 2160	135.0	60.0 ¹	594.0	IL	3G-SDI Level-A	YPbPr	4:2:2 10bit
		4096 x 2160	135.0	60.0 ¹	594.0	SQ	3G-SDI Level-B	YPbPr	4:2:2 10bit
		4096 x 2160	135.0	60.0 ¹	594.0	IL	3G-SDI Level-B	YPbPr	4:2:2 10bit
	4096 x 2160/50p	4096 x 2160	112.5	50.0	594.0	SQ	3G-SDI Level-A	YPbPr	4:2:2 10bit
		4096 x 2160	112.5	50.0	594.0	IL	3G-SDI Level-A	YPbPr	4:2:2 10bit
		4096 x 2160	112.5	50.0	594.0	SQ	3G-SDI Level-B	YPbPr	4:2:2 10bit
		4096 x 2160	112.5	50.0	594.0	IL	3G-SDI Level-B	YPbPr	4:2:2 10bit

1 The signal with 1/1.001x vertical scanning frequency is also supported.