



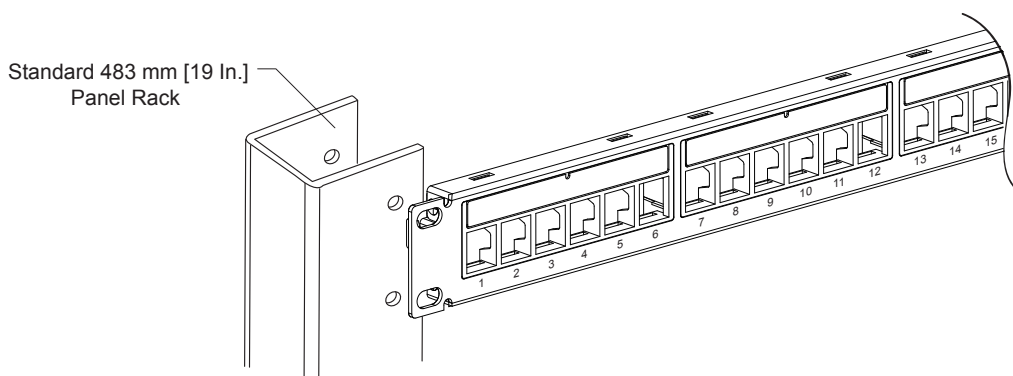
SCP Part No. 324U

UNLOADED 24 PORT UNSHIELDED PATCH PANEL w/CABLE MANAGEMENT- FOR UTP CABLES- USE WITH RJ45 KEYSTONE JACKS- BLACK - 1 EA/BOX

MODULAR BLANK JACK PANEL INSTRUCTIONS

1. INTRODUCTION

This guide sheet contains all the installation procedures about UTP Empty Panel. Any 19" (483mm) wide equipment rack or standing/ wall mounting equipment cabinet as shown in Figure 1 can simply accommodate this optimum panel. High density designed panel accepts up to 24 single RJ45 connection modules and brings optimum use of a 1U Panel.



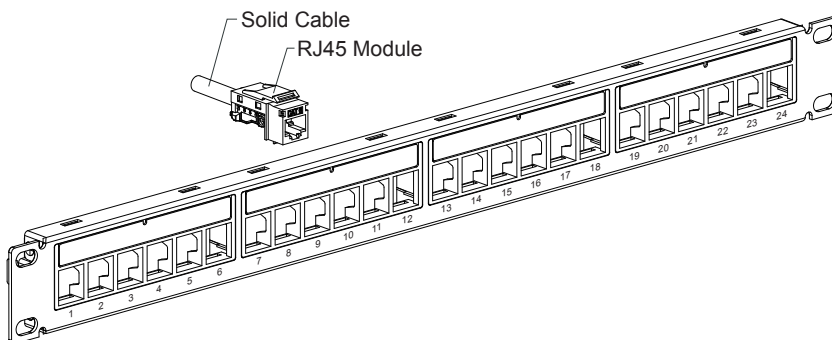
<Figure 1>

2. DESCRIPTION

This 19" 24-Port UTP empty panel provides 24-port openings for RJ45 modules or Multimedia Snap-In Modules.

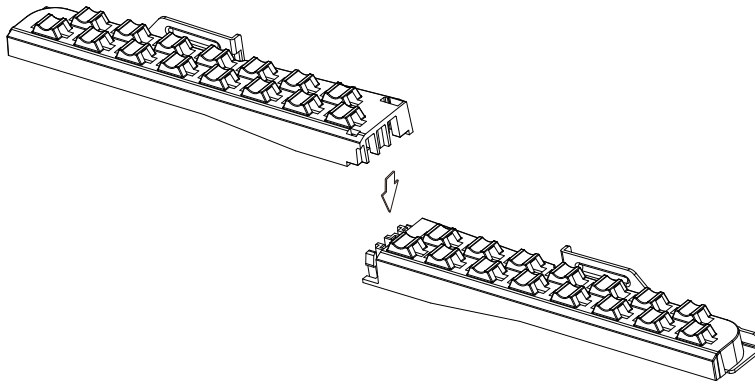
3. INSTALLATION

- 3.1 Mount the panel to the desired position on a 19" ready rack or equivalent as shown in Figure 1.
- 3.2 Follow the RJ45 module's installation instruction to finish cable termination on each RJ45 modules.
- 3.3. Position the cable assembled RJ45 module from back of panel and then snap in the RJ45 modules into the RJ45 window all the way down until the latch on module is locked to panel as shown in Figure 2. Follow the installation in sequence until all required RJ45 modules are installed.



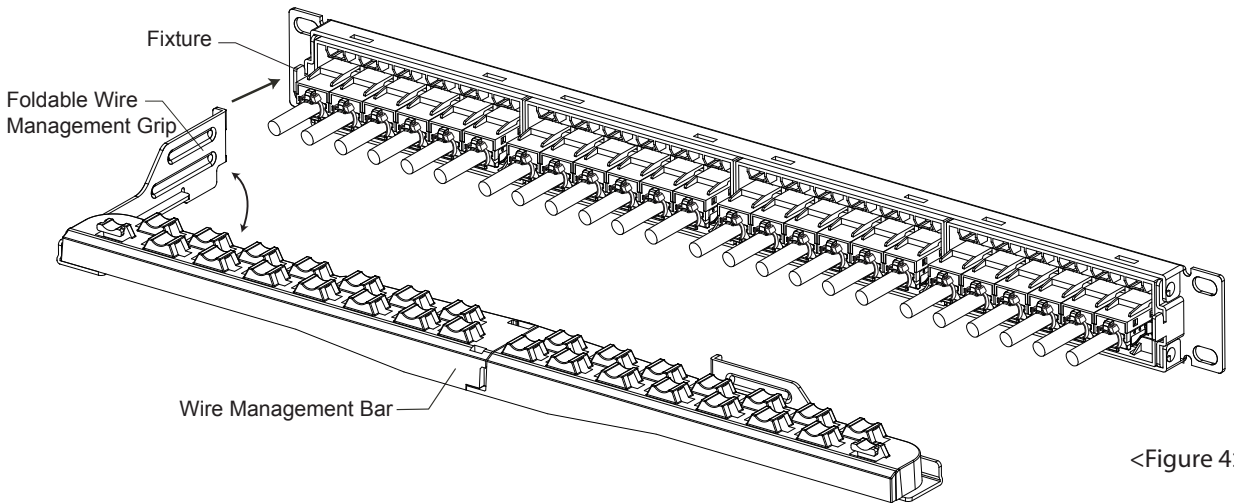
<Figure 2>

4. Assemble the cable management as shows.



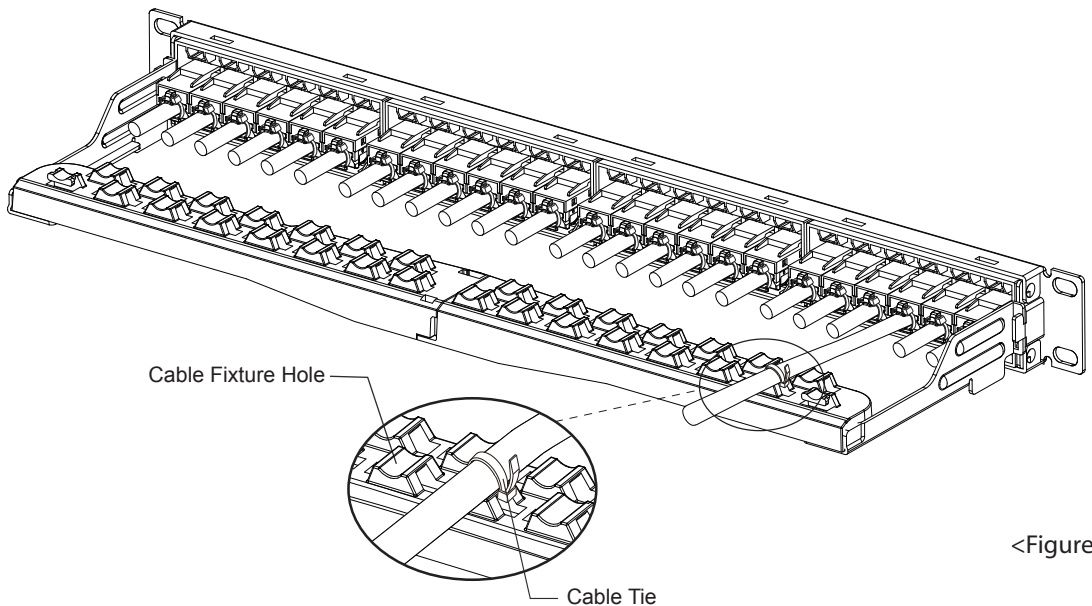
<Figure 3>

5. Expand the Foldable Wire Management Grip, hook the grips into fixture at both ends of the patch panel.



<Figure 4>

6. Fix the solid cables to the cable fixture hole by cable ties.



<Figure 5>