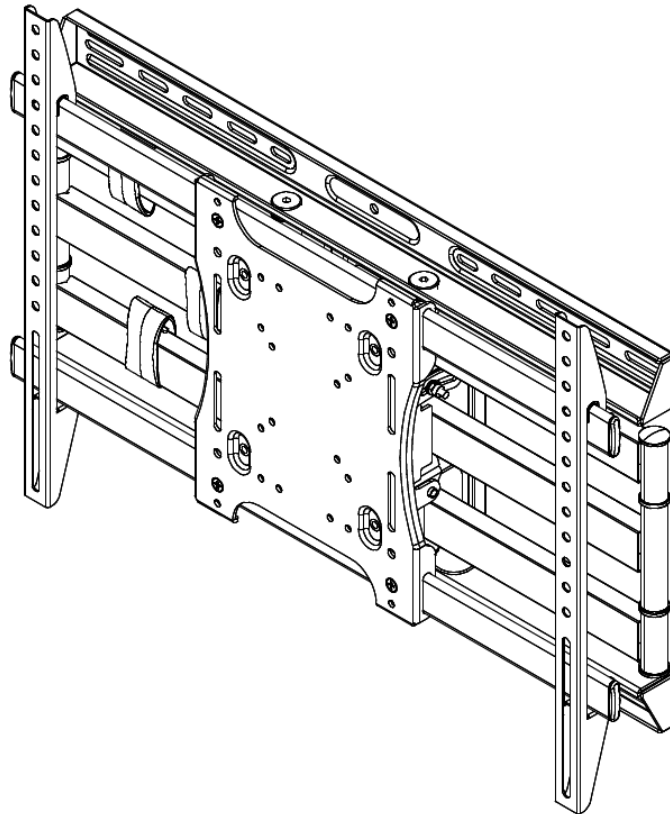




SM-CB-ART2-L
Strong™ Carbon Series
Universal Articulating Mount With Dual Arms



INSTALLATION MANUAL

CAUTION

The maximum supported weight of this wall mount is 150 lbs (68.04 kg). Use with heavier than the maximum weight indicated may result in instability causing possible injury.

ATTENTION

Le poids maximum de ce support mural est de 68 kg (150 lbs). L'utilisation avec un poids plus haut que le poids maximum indiqué peut provoquer une instabilité et ainsi des blessures.

WARNING

Ensure these instructions are thoroughly understood before attempting installation. If unsure of any part of the installation process, contact a professional installer for assistance.

The wall or mounting surface must be capable of supporting the combined weight of the mount and the display; otherwise the structure must be reinforced. Installer is responsible for verifying the wall/mounting surface and the anchors used can support the total load of the installation.

Safety gear and proper tools must be used. Failure to do so can result in property damage and/or serious injury.

A minimum of two people is required for this installation and it is highly recommended that this product be installed by qualified professionals.

Follow all instructions and recommendations regarding suitable locations for display installation. Consult the display equipment's documentation for information relative to its requirements.

ATTENTION

Assurez-vous que ces instructions sont bien comprises avant de commencer l'installation. Si vous n'êtes pas certain sur une partie du processus d'installation, contactez un installateur professionnel pour obtenir de l'aide.

Le mur ou la surface de montage doit être capable de supporter le poids combiné du support et de l'écran ; sinon la structure doit être renforcée. L'installateur est responsable de la vérification du mur / de la surface de montage et les ancrages utilisés peuvent supporter le poids total de l'installation.

Un équipement de sécurité et des outils appropriés doivent être utilisés. Sinon, il y pourrait avoir des dommages matériels et / ou des blessures graves

Un minimum de deux personnes est requis pour cette installation et il est fortement recommandé que ce produit soit installé par des professionnels qualifiés.

Suivez toutes les instructions et recommandations concernant les lieux appropriés pour l'installation de l'écran. Consultez la documentation de l'écran pour obtenir des informations à propos des exigences.

Supported Vesa Patterns										
		Horizontal Measurement (mm)								
		75	100	200	300	400	500	600	700	800
Vertical Measurement (mm)	75	M, L, XL								
	100		M, L, XL	M, L, XL	L, XL	L, XL	L, XL	L, XL	XL	XL
	200		M, L, XL	M, L, XL	L, XL	L, XL	L, XL	L, XL	XL	XL
	300			M, L, XL	M, L, XL	L, XL	L, XL	L, XL	XL	XL
	400			M, L, XL	L, XL	M, L, XL	L, XL	L, XL	XL	XL
	500				XL	XL	XL	XL	XL	XL
	600				XL	XL	XL	XL	XL	XL

SPECIFICATIONS

- Maximum Load:
 - 150 lbs (68.04 kg) - SM-CB-ART2-L
- Maximum Extension:
 - Large - 26"
 - X-Large - 31"
- Wire Management
- Pan/Swivel Range: 180°
- Tilt Range: -5° /+ 15°





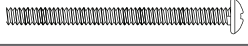
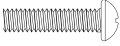







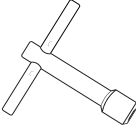
BOX CONTENTS

- Wall Arm Assembly (1)
- Horizontal Mounting Bars (2, Installed)
- Fixed TV Bracket (2)
- Adapter Plate (Installed)
- Cable Clips (3, Installed)
- Hardware Kit (1)
- Mounting Template (1)

TOOLS REQUIRED

- Power Drill
- 3/32" & 5/16" Drill Bits
- Level
- 1/2" (13mm) Wrench
- Hammer
- Stud Finder
- Phillips Screw Driver

HARDWARE

IMAGE	DESCRIPTION	ITEM	QUANTITY
BAG 1			
	Lag Bolt	(A) 8 × 63 mm	5
	Lag Washer	(B) 8.4 × 19 × 2 mm	5
	Concrete Anchor	(C) 10 × 50 mm	5
	Screw	(D) M6 × 20 mm	4
	Screw	(E) M6 × 40 mm	4
	Screw	(F) M8 × 20 mm	4
BAG 2			
	Screw	(G) M8 × 40 mm	4
	Screw	(H) M8 × 50 mm	4
	Spacer	(I) 8.5 × 15 × 5 mm	4
	Spacer	(J) 8.5 × 17.5 × 19 mm	4
	Spacer	(K) 8.5 × 17.5 × 22 mm	4
BAG 3			
	M6 Washer	(L) 6.4 × 18 × 2 mm	8
	M8 Washer	(M) 8.4 × 20 × 2 mm	8
	Socket Wrench	(N) 10 × 58 mm	1

INSTALLATION

Layout and Drilling

1. Determine general location of the display.

2. Use a stud finder to find the nearest wall studs if applicable and mark their location.

NOTE: Stud sizes must be a minimum of 2"x4" and covered with no more than 3/8" thick dry wall.

3. Tape template flat and level to wall surface, aligning the template's slots with the stud markings on the wall.

NOTE: Template corners fold up to catch debris.

4. Use a pen or pointed object to mark bore locations.

ATTENTION: Before drilling, verify there is a minimum of 1-3/8" of concrete thickness to be used for the concrete anchors. Ensure to mount in a solid part of the block, generally 1" minimum from the side of the block. Cinder block must meet ASTM C-90 specifications.

ATTENTION: Concrete must be 2500-3000 psi density minimum. Lighter density concrete may not hold concrete anchor.

ATTENTION: A standard electric drill on slow setting should be used to drill the holes instead of a hammer drill to avoid breaking out the back of the hole when entering a void or cavity.

5. Drill holes (Figure 1):

NOTE: Use 3/32" bit for drilling into wooden studs (x4).

NOTE: Use 5/16" bit for drilling into concrete wall (x6).

NOTE: Two additional holes and provided anchors are needed for concrete installs.

ATTENTION: Be sure to drill holes centered within studs. Do not drill into mortar joints.

Wall Mounting of Arm Assembly

1. If needed, hammer concrete anchors (C) into wall (Figure 1).

2. Apply washers (B) to lag bolts (A).

3. Hold Arm Assembly in place while applying lag bolts (A) with washers (B).

NOTE: A properly mounted Arm Assembly will be oriented so that its Keyed Notches side of the Arm Assembly Head Mount is upward.

4. Tighten bolts snugly without overtightening.

CAUTION: Overtightening can damage the bolts and reduce their holding strength. Refer to the mounting template for specifics.

Mounting to a Concrete Wall

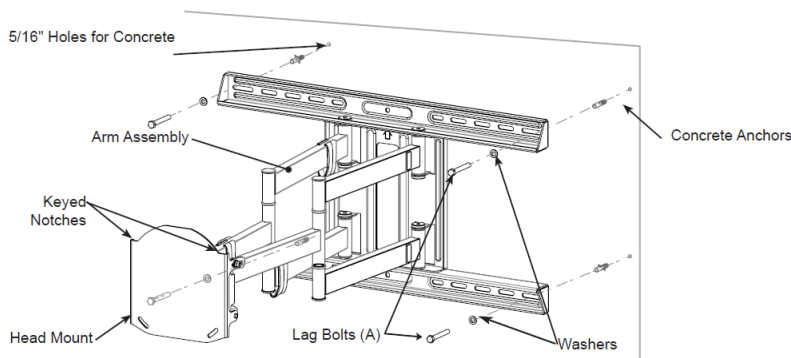


Figure 1

Mounting to a Wood Stud Wall

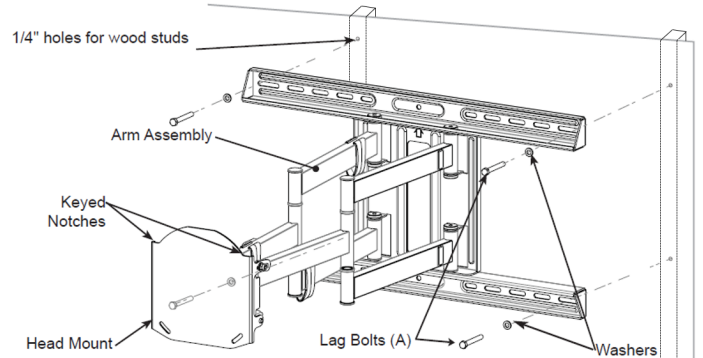


Figure 1.2

Assemble Display Bracket

1. Slide the fixed TV brackets onto each end of the Horizontal Mounting Bars (Figure 2).

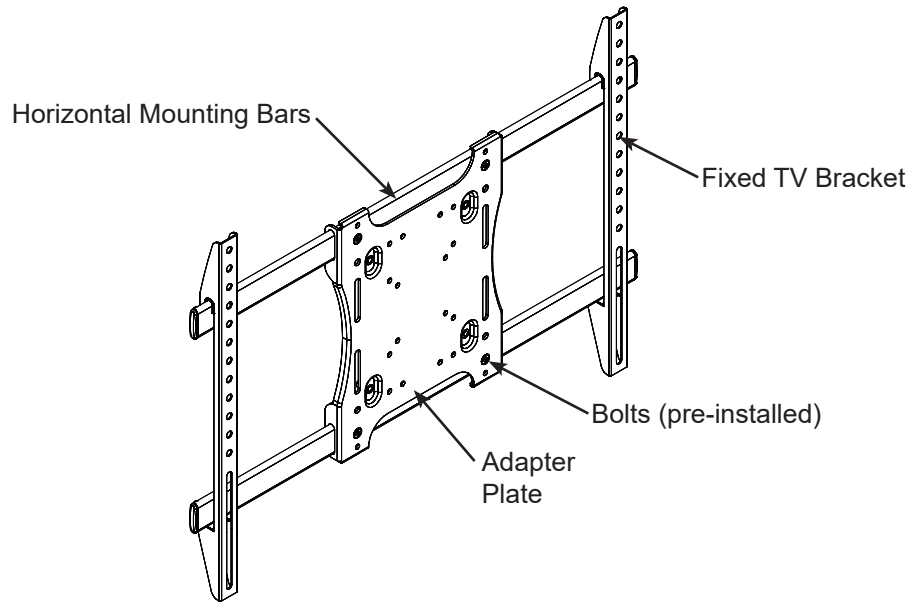


Figure 2

Mount Display Bracket to Display Panel

1. Place the assembled Display Bracket on the back of the display with one Adapter Bracket aligned with a set of vertical mounting holes (Figure 3).
2. Slide the other Adapter Bracket in or out until it aligns with the second set of vertical mounting holes.
NOTE: The Adapter Plate should be horizontally centered on the back of the flat panel display.
NOTE: There are eight positions for flexibility. Move the Adapter Brackets to desired location. Adapter Brackets can be flipped around (if required).
3. Attach the Adapter Brackets using four mounting bolts (D - H) and four washers (L or M).
NOTE: Bolt size will depend on thread pattern and hole depth of the flat panel being installed.
4. Once aligned, tighten all screws down with a Phillips Head Screw Driver.

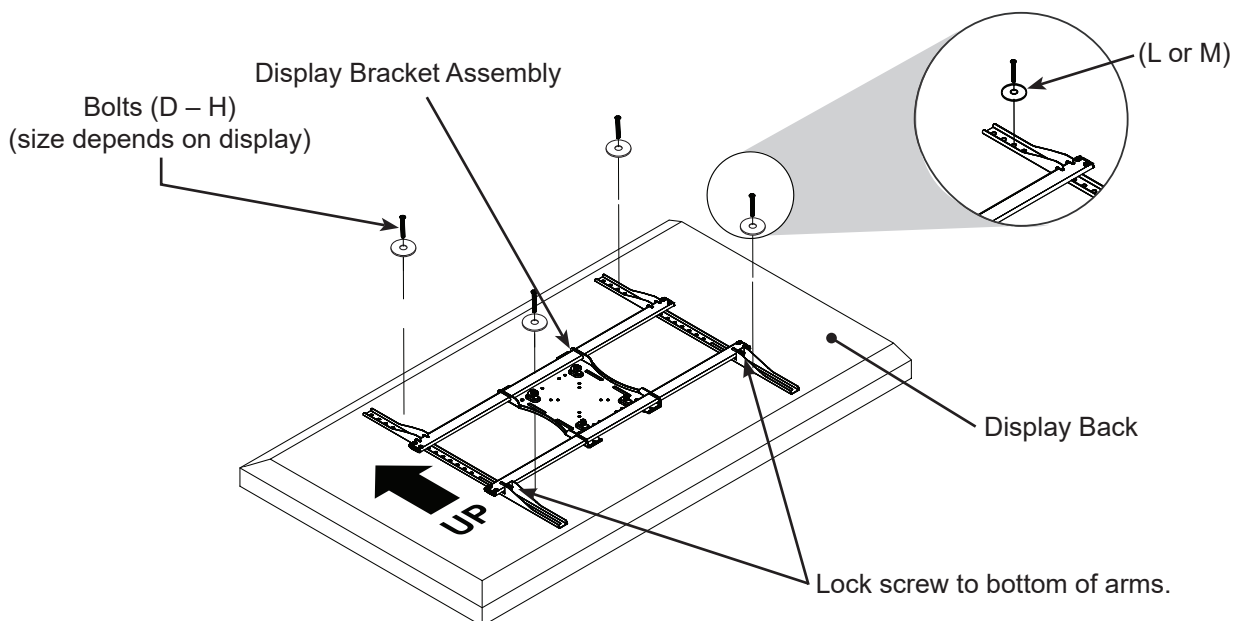


Figure 3

Attach Screen to Arm Assembly

1. Remove pre-installed hex nuts and nylon washers from bottom bolts on adapter plate using the provided socket wrench (N).
2. Lift the display and hook the two pre-installed bolts in grooves on top of the Mounting Head (Figure 4).
3. Insert bottom two bolts (where hex nuts were previously installed) in bottom two holes of the Mounting Head.
4. Re-install hex nuts and nylon washers securing mount head to arms.

ATTENTION: This procedure requires two persons. Ensure that the arm is set to its maximum negative tilt prior to attaching the display.

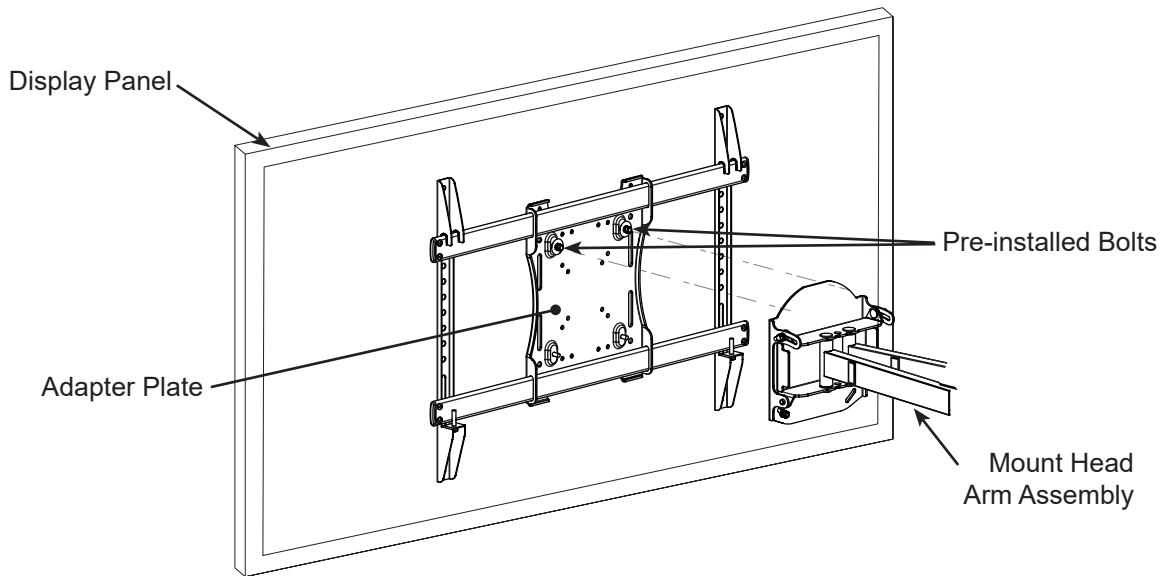


Figure 4

Cable Cover Attachment

1. Route electrical and data cables along the Arm Assembly and secure in place using the provided Cable Covers (Figure 5).

NOTE: Ensure enough slack is provided to allow for vertical and horizontal movement before attaching the Cable Covers.

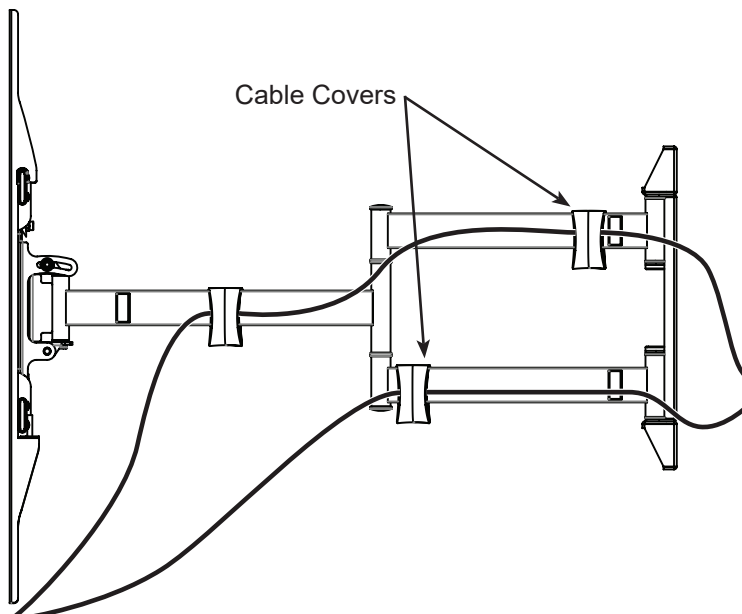


Figure 5

ADJUSTMENTS

Tilt Adjustment

1. Using the provided socket wrench (N), loosen tilt lock bolts each side of mount head (only enough to allow controlled adjustment) (Figure 6).
2. Adjust tilt.
3. Tighten locking Tilt Levers.

NOTE: Once the tilt levers are locked, the position of the levers can be adjusted without loosening or tightening the unit by pulling the levers outward and then repositioning them to a vertical, less obtrusive position.

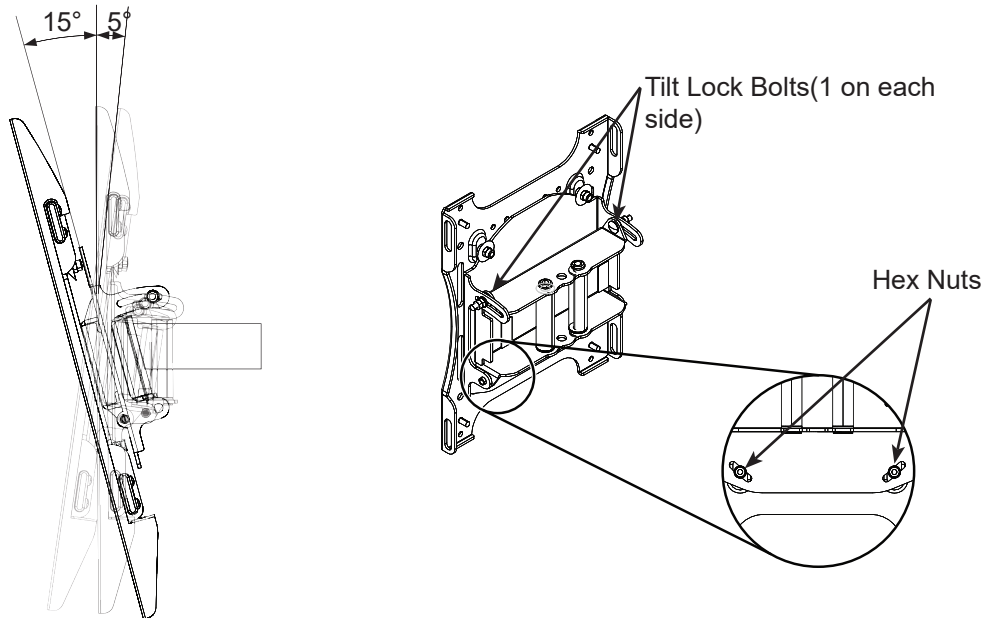


Figure 6

Horizontal Adjustment

1. To adjust the horizontal angle of the display, first slightly loosen the bottom two hex nuts with provided socket wrench (N) on back side of the Mount Head. Then firmly hold opposite corners of the display and gently turn it into the desired position. When level, re-tighten hex nuts to lock in position (Figure 7).

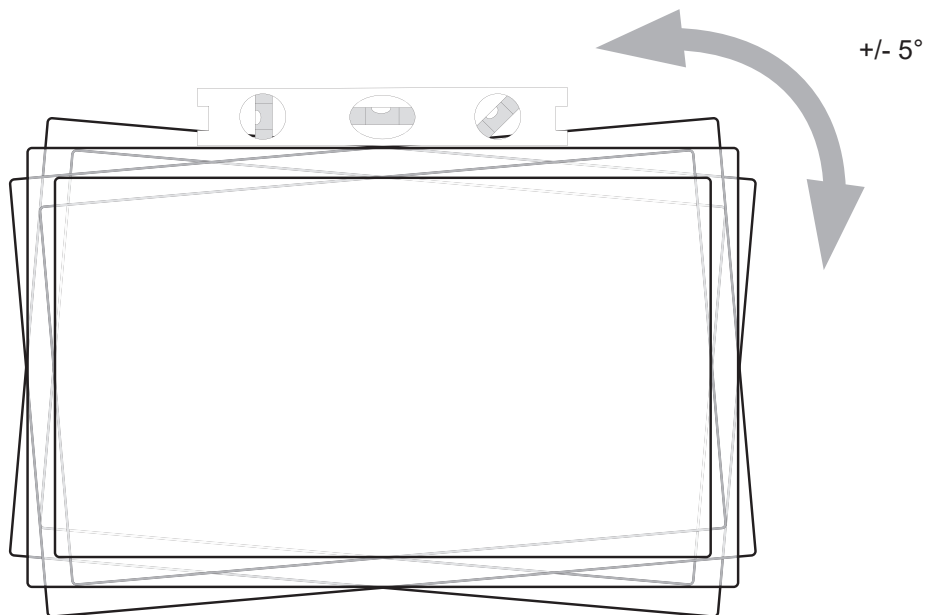


Figure 7

CONTACTING TECHNICAL SUPPORT

Phone: (866) 838-5052

Email: techsupport@snapav.com

LIFETIME LIMITED WARRANTY



Strong™ Mounts have a Lifetime Limited Warranty. This warranty includes parts and labor repairs on all components found to be defective in material or workmanship under normal conditions of use. This warranty shall not apply to products which have been abused, modified or disassembled. Products to be repaired under this warranty must be returned to Snap AV or a designated service center with prior notification and an assigned return authorization (RA) number.



190703_1400
© 2019 STRONG