

WATERFALL AUDIO

SOUND DESIGNERS

MADE IN FRANCE



DATA SHEET

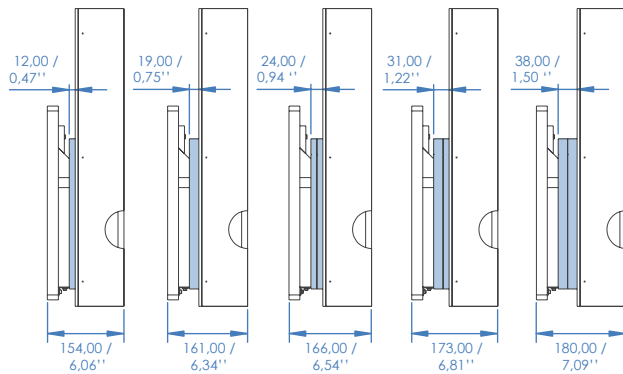
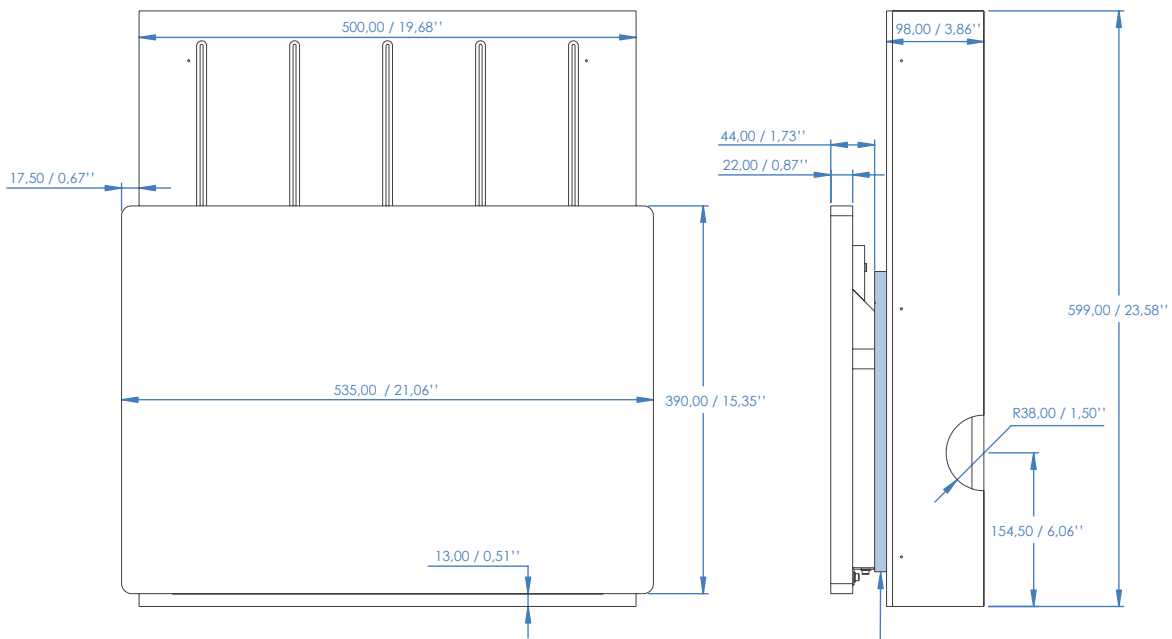
INTEGRABLE SUBWOOFER FLEX200

KEY POINTS

- Flexible Subwoofer dedicated to integration with multiple applications:
 - To be built as " first mount " into "dry wall" made of 13mm or 18mm panel (or a mix of panels; panel's thickness possible from 12mm to 38mm as standard). A minimum 10 cm depth into partition is required (see assembly instructions manual)
 - Installation into custom made furniture (made from 12mm to 38mm panels)
 - Placement under furniture such as bed, sofa or any furniture (minimum space height 15.5 cm)
 - On Wall positioning possible as well. (Note that painting of the Sub to desired color is not included.)
- New innovating and design concept:
 - "Designer friendly" look: similar to a radiator with its white painted front cover, can also be painted to your own color.
 - Optimal performances: driver and bass reflex simultaneously radiating from the front panel directly into the room for natural bass response
 - Great installation process: driver and amplifier are fitted when the project is clear of dust and any other risk of damage or theft.
 - Easy maintenance if needed (driver and amplifier are directly accessible).
- Exclusive X-Guard technology (driver's cone excursion control) providing powerful and natural low frequencies.
- Easy installation & setup :
 - Integrated 200W amplifier, can also be moved to a rack (optional)
 - Installation and connections flexibility for Hifi or Home cinema (amplifier/integrated pre-amplifier with or without pre-out exit)
 - Wide tuning possibilities:
 - *Phase inverter*
 - *Variable frequency cut off*
 - *Variable slopes: 24 or 12 dB/oct or LFE mode (for Home cinema use)*
- Dual voltage choice: 110 V / 220 V

AUDIO APPLICATIONS

- HiFi as bass support for our satellites : Serio, Hurricane Evo & Elora LR Evo (2.1 configuration)
- Home Cinema Subwoofer for Hurricane Evo and Serio (Pack 1 & 2)
- Suitable for rooms 15 to 30 m² / 160 to 320 ft²



Variable thickness available :
 12 / 19 / 24 / 31 / 38mm
 0.47" / 0.75" / 0.94" / 1.22" / 1.50"

Frame dimensions :
 302 mm (H) x 477 mm (W)
 11.89" (H) x 18.78" (W)

TECHNICAL DETAILS

TYPE	Active / bass reflex
INTEGRATED AMPLIFIER	200 Watts / X-GUARD Technology
PEAK POWER	250 Watts
FREQUENCY RESPONSE (+/- 3 dB)	40 Hz - 150 Hz
PHASE CONTROL	Reverser 0 / 180°
CROSSOVER FREQUENCIES	Variable 40 to 150 Hz or LFE mode
BASS DRIVER	1 x 180mm / 7" ATOHM D180
DIMENSIONS (width x depth x height in mm)	500 x (Variable from 98 to 180) x 599
WEIGHT Kg / approx. lbs	22,5 kg / 55,12 Lbs


WATERFALL AUDIO

ZA les praderies - 83 570 Carcès - France

Phone : **+33 (0)4 98 05 11 30**

export@waterfallaudio.com

Made in France. 5 years warranty on speakers, 2 years warranty on amplifiers (parts & service).
 We operate a policy of continuous improvement and reserve the right to amend designs and specifications without prior notice.

 All drivers are developed and manufactured by ATOHM (France).