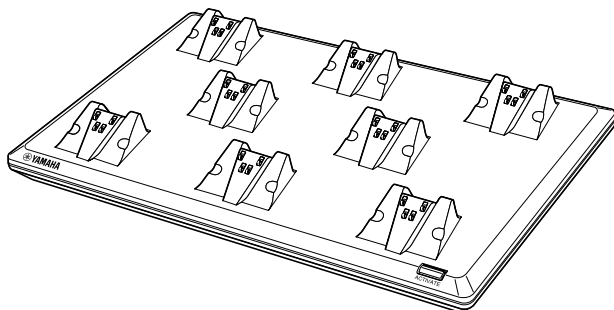




MICROPHONE CHARGER
CHARGEUR POUR MICROPHONE

RM-WCH-8



- EN** Owner's Manual
- DE** Benutzerhandbuch
- FR** Mode d'emploi
- ES** Manual de instrucciones
- PT** Manual do Proprietário
- IT** Manuale di istruzioni
- JA** 取扱説明書（保証書付き）

English

Deutsch

Français

Español

Português

Italiano

日本語



CAUTION

RISK OF ELECTRIC SHOCK
DO NOT OPEN



CAUTION:
TO REDUCE THE RISK OF ELECTRIC SHOCK,
DO NOT REMOVE COVER (OR BACK).
NO USER-SERVICEABLE PARTS INSIDE.
REFER SERVICING TO QUALIFIED SERVICE PERSONNEL.

Explanation of Graphical Symbols



The lightning flash with arrowhead symbol, within an equilateral triangle, is intended to alert you to the presence of uninsulated "dangerous voltage" within the product's enclosure that may be of sufficient magnitude to constitute a risk of electric shock to persons.



The exclamation point within an equilateral triangle is intended to alert you to the presence of important operating and maintenance (servicing) instructions in the literature accompanying the appliance.

IMPORTANT SAFETY INSTRUCTIONS

1. Read these instructions.
2. Keep these instructions.
3. Heed all warnings.
4. Follow all instructions.
5. Do not use this apparatus near water.
6. Clean only with dry cloth.
7. Do not block any ventilation openings. Install in accordance with the manufacturer's instructions.
8. Do not install near any heat sources such as radiators, heat registers, stoves, or other apparatus (including amplifiers) that produce heat.
9. Do not defeat the safety purpose of the polarized or grounding-type plug. A polarized plug has two blades with one wider than the other. A grounding type plug has two blades and a third grounding prong. The wide blade or the third prong are provided for your safety. If the provided plug does not fit into your outlet, consult an electrician for replacement of the obsolete outlet.
10. Protect the power cord from being walked on or pinched particularly at plugs, convenience receptacles, and the point where they exit from the apparatus.
11. Only use attachments/accessories specified by the manufacturer.
12. Use only with the cart, stand, tripod, bracket, or table specified by the manufacturer, or sold with the apparatus. When a cart is used, use caution when moving the cart/apparatus combination to avoid injury from tip-over.
13. Unplug this apparatus during lightning storms or when unused for long periods of time.
14. Refer all servicing to qualified service personnel. Servicing is required when the apparatus has been damaged in any way, such as power-supply cord or plug is damaged, liquid has been spilled or objects have fallen into the apparatus, the apparatus has been exposed to rain or moisture, does not operate normally, or has been dropped.



WARNING

TO REDUCE THE RISK OF FIRE OR ELECTRIC SHOCK, DO NOT EXPOSE THIS APPARATUS TO RAIN OR MOISTURE.



ATTENTION
RISQUE DE CHOC
ELECTRIQUE-NE PAS OUVRIR



ATTENTION:
POUR RÉDUIRE LES RISQUES D'ÉLECTROCUTION, NE PAS RETIRER LE CAPOT (OU LE DOS). NE CONTIENT PAS DE PIÈCES NÉCESSITANT L'INTERVENTION DE L'UTILISATEUR. POUR TOUTE INTERVENTION, FAIRE APPEL À DES PROFESSIONNELS QUALIFIÉS.

Explication des symboles



L'éclair avec une flèche à l'intérieur d'un triangle équilatéral est destiné à attirer l'attention de l'utilisateur sur la présence d'une « tension dangereuse » non isolée à l'intérieur de l'appareil, pouvant être suffisamment élevée pour constituer un risque d'électrocution.



Le point d'exclamation à l'intérieur d'un triangle équilatéral est destiné à attirer l'attention de l'utilisateur sur la présence d'instructions importantes sur l'emploi ou la maintenance (réparation) de l'appareil dans la documentation fournie.

PRÉCAUTIONS CONCERNANT LA SÉCURITÉ

1. Lire ces instructions.
2. Conserver ces instructions.
3. Tenir compte de tous les avertissements.
4. Suivre toutes les instructions.
5. Ne pas utiliser ce produit à proximité d'eau.
6. Nettoyer uniquement avec un chiffon propre et sec.
7. Ne pas bloquer les orifices de ventilation. Installer l'appareil
8. Ne pas installer l'appareil à proximité d'une source de chaleur comme un radiateur, une bouche de chaleur, un poêle ou tout autre appareil (y compris un amplificateur) produisant de la chaleur.
9. Ne pas modifier le système de sécurité de la fiche polarisée ou de la fiche de terre. Une fiche polarisée dispose de deux broches dont une est plus large que l'autre. Une fiche de terre dispose de deux broches et d'une troisième pour le raccordement à la terre. Cette broche plus large ou cette troisième broche est destinée à assurer la sécurité de l'utilisateur. Si la fiche équipant l'appareil n'est pas compatible avec les prises de courant disponibles, faire remplacer les prises par un électricien.
10. Acheminer les cordons d'alimentation de sorte qu'ils ne soient pas piétinés ni coincés, en faisant tout spécialement attention aux fiches, prises de courant et au point de sortie de l'appareil.
11. Utiliser exclusivement les fixations et accessoires spécifiés par le fabricant.
12. Utiliser exclusivement le chariot, le stand, le trépied, le support ou la table recommandés par le fabricant ou vendus avec cet appareil. Si l'appareil est posé sur un chariot, déplacer le chariot avec précaution pour éviter tout risque de chute et de blessure.
13. Débrancher l'appareil en cas d'orage ou lorsqu'il doit rester hors service pendant une période prolongée.
14. Confier toute réparation à un personnel qualifié. Faire réparer l'appareil s'il a subi tout dommage, par exemple si la fiche ou le cordon d'alimentation est endommagé, si du liquide a coulé ou des objets sont tombés à l'intérieur de l'appareil, si l'appareil a été exposé à la pluie ou à de l'humidité, si l'appareil ne fonctionne pas normalement ou est tombé.



AVERTISSEMENT
POUR RÉDUIRE LES RISQUES
D'INCENDIE OU DE DÉCHARGE
ÉLECTRIQUE, N'EXPOSEZ PAS CET
APPAREIL À LA PLUIE OU À L'HUMIDITÉ.

CONTENTS

PRECAUTIONS	5
NOTICE	8
INFORMATION	10
INTRODUCTION	12
Included items	12
Reference manuals.....	12
Before use	13
CONTROLS AND FUNCTIONS	14
Top panel	14
Bottom panel	16
MAIN SPECIFICATIONS	17

The model number, serial number, power requirements, etc., may be found on or near the name plate, which is at the bottom of the unit. You should note this serial number in the space provided below and retain this manual as a permanent record of your purchase to aid identification in the event of theft.

Model No.

Serial No.

PRECAUTIONS

PLEASE READ CAREFULLY BEFORE PROCEEDING

Please keep this manual in a safe place for future reference.

Yamaha cannot be held responsible for damage caused by improper use or modifications to the product, or data that is lost or destroyed.



WARNING

Always follow the basic precautions listed below to avoid the possibility of serious injury or even death from electrical shock, short-circuiting, damages, fire or other hazards. These precautions include, but are not limited to, the following:

If you notice any abnormality

- If any of the following problems occur, immediately disconnect the electric plug from the outlet.
 - The power cord or plug becomes frayed or damaged.
 - Unusual smells or smoke are emitted.
 - Some object, or water has been dropped into the product.
 - Cracks or other visible damage appear on the product.Then have the product inspected or repaired by qualified Yamaha service personnel.

Power supply

- Do not damage the power cord. Failure to observe this precaution could result in fire, electric shock, or damage to the product.
 - Do not place heavy objects on the cord.
 - Do not process the cord in any way.
 - Do not apply excessive force to the cord.
 - Be sure to keep the cord away from anything hot.
- Only use the voltage specified as correct for the product. The required voltage is printed on the name plate of the product.
- Use the specified adaptor/power cord only. Using the wrong adaptor can result in damage to the product or overheating.

- Do not use the supplied adaptor/power cord with other devices. Otherwise, fire, burns or damage to the product may be caused.
- Check the electric plug periodically and remove any dirt or dust which may have accumulated on it.
- Make sure to fully insert the electric plug to prevent electric shocks or fire.
- When setting up the product, make sure that the AC outlet you are using is easily accessible. If some trouble or malfunction occurs, immediately disconnect the plug from the outlet. As long as the power cord is not unplugged from the wall AC outlet, the product will not be disconnected from the power source.
- Remove the electric plug from the outlet when the product is not to be used for extended periods of time.
- Do not touch the product or the electric plug during an electrical storm.

Do not open

- This product contains no user-serviceable parts. Do not attempt to disassemble the internal parts or modify them in any way.

Water warning

- Do not expose the product to rain, use it near water or in damp or wet conditions, or place on it any containers (such as vases, bottles or glasses) containing liquids which might spill into any openings.
- Never insert or remove an electric plug with wet hands.

Fire warning

- Do not place any burning items or open flames near the product, since they may cause a fire.

Wireless unit

- Do not use this product near medical devices or inside medical facilities. Radio waves from this product may affect electro-medical devices.
- Do not use this product within 15 cm (6 in) of persons with a heart pacemaker implant or a defibrillator implant. Radio waves from this product may affect electro-medical devices, such as a heart pacemaker implant or defibrillator implant.

Maintenance

- Remove the power plug from the AC outlet when cleaning the product.

Charging

- Charge within the specified charging temperature range. Charging at a temperature outside the range may cause leakage, explosion, fire, or damage.



CAUTION

Always follow the basic precautions listed below to avoid the possibility of physical injury to you or others. These precautions include, but are not limited to, the following:

Power supply

- Do not cover or wrap the AC adaptor with a cloth or blanket.
- When removing the electric plug from the product or an outlet, always hold the plug itself and not the cord. Pulling by the cord can damage it.

Location and connection

- Do not place the product in an unstable position or a location with excessive vibration, where it might accidentally fall and cause injury.
- Keep this product out of reach of children. This product is not suitable for use in locations where children are likely to be present.
- Do not place the product in a location where it may come into contact with corrosive gases or salt air. Doing so may result in malfunction.
- Before moving the product, remove the connected AC adaptor.

Handling caution

- Do not rest your weight on the product or place heavy objects on it.

NOTICE

To avoid the possibility of malfunction/damage to the product, damage to data, or damage to other property, follow the notices below.

Handling and maintenance

- Do not use the product in the vicinity of a TV, radio, or other electric products. Otherwise, the product, TV, or radio may generate noise.
- Do not use the product in the vicinity of a microwave oven. Otherwise, there is a risk of electromagnetic interference with wireless communication.
- Install the product in a location away from other electronic devices. Installing this product near other electronic devices may cause the quality of received radio waves to suffer and communication to become unstable.
- Do not install the product in a location where magnetic fields are strong. Otherwise, it might cause the product to malfunction.
- Do not connect devices that generate noise to the same power supply line that this product is connected to. Otherwise, damage or malfunctions may occur.
- Do not expose the product to excessive dust or vibration, or extreme cold or heat, in order to prevent the possibility of disfiguration, unstable operation, or damage to the internal components.
- Do not install in locations where temperature changes are severe. Otherwise, condensation may form on the inside or the surface of the product, causing it to break.
- If there is reason to believe that condensation might have occurred, leave the product for several hours without turning on the power until the condensation has completely dried out, in order to prevent possible damage.
- Do not touch the interior of a port with your fingers or any metallic object.

- Do not place vinyl, plastic or rubber objects on the product, since this might cause alteration or discoloration.
- When cleaning the product, use a dry and soft cloth. Do not use paint thinners, solvents, cleaning fluids, or chemical-impregnated wiping cloths, since this might cause alteration or discoloration.

INFORMATION

About functions/data bundled with the product

- Warning: Operation of this product in a residential environment could cause radio interference.
- This product is compatible with the 1.9 GHz DECT standard. If the product is used in an environment where CS digital broadcasting is being received or PHS is used, radio waves may interfere with each other, affecting broadcasting and communication.
- A small amount of current is flowing, even when the microphone is not being charged. When you are not using the product for a long time, make sure you unplug the power cord from the wall AC outlet.
- Refer to the website below for the licensing terms of the open source software used in this product.

U.S.A. and Canada



<https://uc.yamaha.com/support/>

Other countries

<https://download.yamaha.com/>

About this manual

- This Manual uses the following signal words for the important information:

 WARNING	This content indicates “risk of serious injury or death.”
 CAUTION	This content indicates “risk of injury.”
NOTICE	Indicates content that you must observe in order to prevent the product from malfunctioning, being damaged, or operating incorrectly, and to avoid data loss.
IMPORTANT	Indicates content that you must know in order to operate and use the product correctly.
NOTE	Indicates information that is related to operation and use. Read this for your reference.

- The illustrations as shown in this manual are for instructional purposes only.
- Yamaha continuously makes improvements and updates to the software included in this product. You can download the latest software from the Yamaha website.
- Warning: Unauthorized copying of this document in part or in its entirety is prohibited.

About transfer/disposal

- If you transfer the product to a third party, pass this manual and accessories along with it.
- This product contains recyclable components. When disposing of this product, please contact the appropriate local authorities.

INTRODUCTION

Thank you for purchasing the Yamaha RM-WCH-8 microphone charger. This unit is a dedicated charger for Yamaha wireless microphones (RM-WOM/RM-WDR/RM-WGL/RM-WGS). Be sure to read this manual before using the unit.

Included items

- P16V2.4A-R (AC adaptor) :1
- Power cord :1 or 3
- Owner's Manual (this document) :1

NOTE : The number of power cords varies depending on the region of purchase.

Reference manuals

For details on the functions and specifications of this unit, read the Reference Manual for the RM Series Wireless Microphone System. This publication is available on the Yamaha website.

U.S.A. and Canada

<https://uc.yamaha.com/support/>

Other countries

<https://download.yamaha.com/>

Before use

This unit does not have a power button. For your safety, follow the steps below to start up the unit.

1. Connect the AC adaptor and power cord.

If three power cords are included, select the one with the power plug corresponding to the outlet being used.

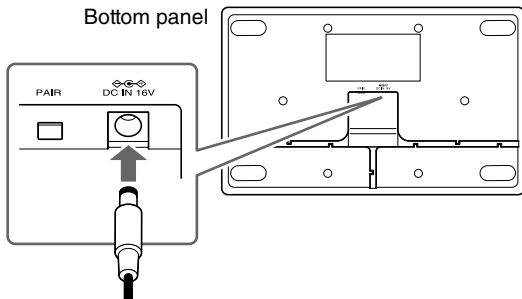


WARNING : Use the supplied adaptor/power cord only. Using the wrong adaptor/power cord can result in damage to the product or overheating.

: Do not use the supplied adaptor/power cord with other devices.

Otherwise, fire, burns or damage to the product may be caused.

2. Connect the AC adaptor to this unit.

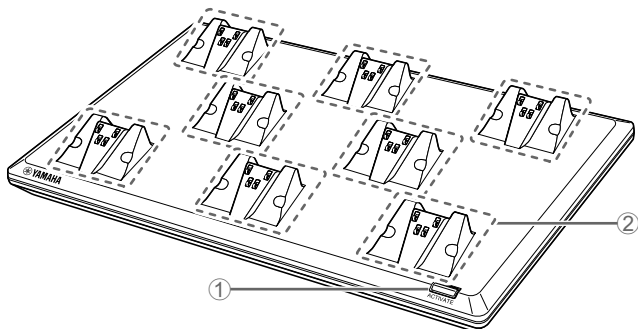


3. Insert the power plug into the electrical outlet.

This unit starts up.

CONTROLS AND FUNCTIONS

Top panel

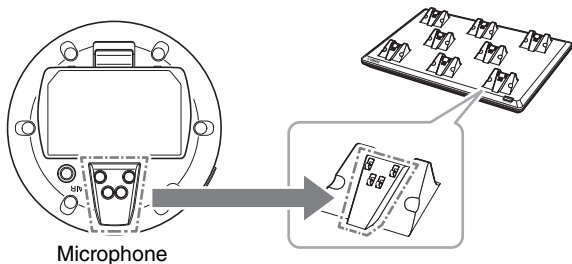


① **ACTIVATE** button/indicator

Use to pair the access point with the microphones placed in the holders. For details, refer to the Reference Manual.

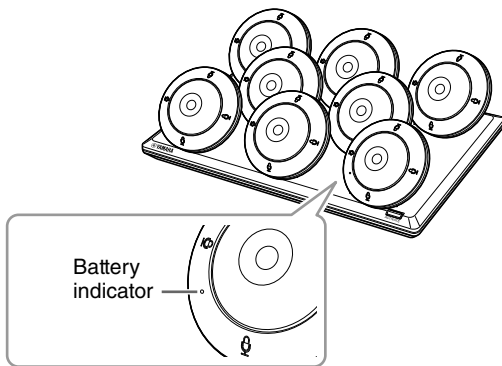
② **Microphone holders**

Press the holes on the bottom of the microphone against the tabs on the holder to magnetically secure the microphone and start charging it.



Microphone

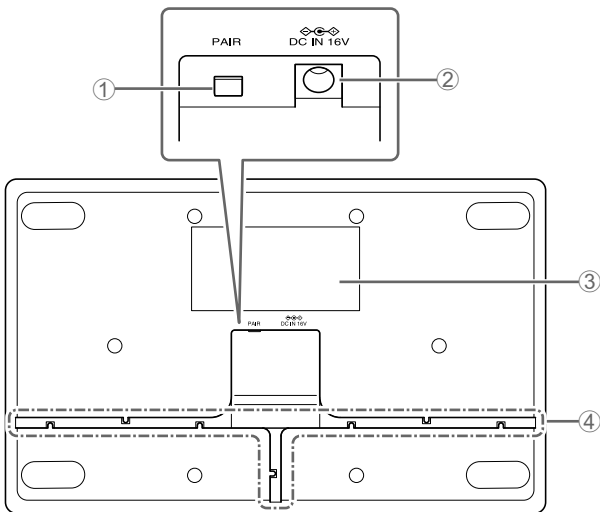
- NOTE** : Up to eight microphones can be charged at the same time.
- : The charging status (remaining operating time) is indicated by the Battery indicator on the microphone.



Indicator	Remaining operating time
Lit red	Less than 3 hours
Lit orange	3 hours to less than 15 hours
Lit green	15 hours or more

When charging is finished, the indicator goes off.

Bottom panel



① PAIR button

Use to pair this unit with the access point.
For details, refer to the Reference Manual.

② AC adaptor jack

Connect the included AC adaptor.

③ Product label


Provides information about this unit and marks of conformity with various standards.

④ Cable slots

Use for routing the DC cord of the AC adaptor.

MAIN SPECIFICATIONS

General specifications

Dimensions	W 304.0 mm × D 188.0 mm × H 41.5 mm	
Weight	800 g	
Power requirement	P16V2.4A-R (AC adaptor) Output: 16.0 V DC, 2.4 A 	
Maximum power consumption	16 V, 2.0 A	
In operation	Temperature	0 °C – 40 °C
	Humidity	20% – 85% (no condensation)
Storage	Temperature	–20 °C – 60 °C
	Humidity	10% – 90% (no condensation)
Indicator	Activate	
Accessories	<ul style="list-style-type: none"> • P16V2.4A-R (AC adaptor) :1 • Power cord :1 or 3 • Owner's Manual (this document):1 	

Wireless specifications

Supported standard	1.9 GHz DECT standard
Radio frequency	<ul style="list-style-type: none">• USA/Canada: 1920.0 MHz – 1930.0 MHz• Europe/Northern Europe/UK/Australia/New Zealand: 1880.0 MHz – 1900.0 MHz• Japan: 1893.5 MHz – 1906.1 MHz
Maximum output power (EIRP)	<ul style="list-style-type: none">• USA/Canada: 23.5 dBm• Europe/Northern Europe/UK/Australia/New Zealand/Japan: 26.5 dBm
Antenna (built-in)	Supports space diversity
Use	Control between access point and charger
Maximum coverage distance	50 m (depends on the usage environment)
Encryption method	AES (256-bit)

The contents of this manual apply to the latest specifications as of the publishing date. To obtain the latest manual, access the Yamaha website then download the manual file.

Information for users on collection and disposal of old equipment:

This symbol on the products, packaging, and/or accompanying documents means that used electrical and electronic products should not be mixed with general household waste.

For proper treatment, recovery and recycling of old products, please take them to applicable collection points, in accordance with your national legislation.

By disposing of these products correctly, you will help to save valuable resources and prevent any potential negative effects on human health and the environment which could otherwise arise from inappropriate waste handling.

For more information about collection and recycling of old products, please contact your local municipality, your waste disposal service or the point of sale where you purchased the items.

For business users in the European Union:

If you wish to discard electrical and electronic equipment, please contact your dealer or supplier for further information.

Information on Disposal in other Countries outside the European Union:

This symbol is only valid in the European Union. If you wish to discard these items, please contact your local authorities or dealer and ask for the correct method of disposal.

This transmitter must not be co-located or operated in conjunction with any other antenna or transmitter.

This equipment complies with FCC radiation exposure limits set forth for an uncontrolled environment and meets the FCC radio frequency (RF) Exposure Guidelines. This equipment should be installed and operated keeping the radiator at least 20 cm or more away from person's body.

This equipment complies with ISED radiation exposure limits set forth for an uncontrolled environment and meets RSS-102 of the ISED radio frequency (RF) Exposure rules. This equipment should be installed and operated keeping the radiator at least 20cm or more away from person's body.

This device contains licence-exempt transmitter(s)/receiver(s) that comply with Innovation, Science and Economic Development Canada's licence-exempt RSS(s). Operation is subject to the following two conditions:

1. This device may not cause interference.
2. This device must accept any interference, including interference that may cause undesired operation of the device.

COMPLIANCE INFORMATION STATEMENT (Supplier's declaration of conformity procedure)

Responsible Party: Yamaha Unified Communications, Inc.
Address: 144 North Rd, Suite 3250 Sudbury,
MA 01776
Telephone: 800-326-1088
Type of Equipment: Microphone Charger
Model Name: RM-WCH-8

This device complies with Part 15 of the FCC Rules.
Operation is subject to the following conditions:

- 1) this device may not cause harmful interference, and
- 2) this device must accept any interference received including interference that may cause undesired operation.

FCC INFORMATION (U.S.A.)

1. **IMPORTANT NOTICE: DO NOT MODIFY THIS UNIT!**

This product, when installed as indicated in the instructions contained in this manual, meets FCC requirements.

Modifications not expressly approved by Yamaha may void your authority, granted by the FCC, to use the product.

- ### 2. **IMPORTANT:**
- When connecting this product to accessories and/or another product use only high quality shielded cables. Cable/s supplied with this product **MUST** be used. Follow all installation instructions. Failure to follow instructions could void your FCC authorization to use this product in the USA.

- ### 3. **NOTE:**
- This equipment has been tested and found to comply with the limits for a Class A digital device, pursuant to Part 15 of the FCC rules. These limits are designed to provide reasonable protection against harmful interference when the equipment is operated in a commercial environment. This equipment generates, uses and can radiate radio frequency energy and, if not installed and used in accordance with the instruction manual, may cause harmful interference to radio communications. Operation of this equipment in a residential area is likely to cause harmful interference in which case the user will be required to correct the interference at his own expense.

INHALTSVERZEICHNIS

VORSICHTSMAßNAHMEN	23
ACHTUNG.....	26
INFORMATION	28
EINLEITUNG.....	30
Lieferumfang.....	30
Referenzhandbücher	30
Vor dem Einsatz	31
BEDIENUNGSELEMENTE UND DEREN FUNKTION	32
Oberseite	32
Unterseite	34
TECHNISCHE DATEN	35

Die Nummer des Modells, die Seriennummer, der Leistungsbedarf usw. sind auf dem Typenschild, das sich auf der Unterseite des Geräts befindet, oder in der Nähe davon angegeben. Sie sollten diese Seriennummer an der unten vorgesehenen Stelle eintragen und dieses Handbuch als dauerhaften Beleg für Ihren Kauf aufbewahren, um im Fall eines Diebstahls die Identifikation zu erleichtern.

Modell Nr.

Seriennr.

VORSICHTSMAßNAHMEN

EMPFOHLENE LEKTÜRE VOR DEM WEITERFAHREN

Vorliegendes Handbuch für spätere Nachschlagzwecke sorgfältig aufbewahren.

Yamaha haftet weder für Schäden, die auf unsachgemäße Benutzung oder Veränderungen des Geräts zurückzuführen sind, noch für den Verlust oder die Zerstörung von Daten.



WARNUNG

Beachten Sie stets die nachfolgend aufgeführten Vorsichtsmaßnahmen, um schwere Verletzungen oder tödliche Unfälle durch elektrischen Schlag, Kurzschluss, Brand oder andere Gefahren zu vermeiden. Folgende Vorsichtsmaßregeln stellen keine vollständige Aufzählung dar.

Ungewöhnliche Vorkommnisse

- Tritt eines der folgenden Probleme auf, ziehen Sie sofort den Netzstecker aus der Steckdose ab.
 - Das Netzkabel bzw. der Netzstecker ist ausgefranst oder beschädigt.
 - Das Gerät erzeugt einen ungewöhnlichen Geruch oder Rauch.
 - Ein Gegenstand oder Wasser ist in das Gerät eingedrungen.
 - Das Gerät weist Risse oder andere sichtbare Schäden auf.Das Gerät anschließend von qualifiziertem Yamaha Kundendienstpersonal prüfen oder reparieren lassen.

Stromversorgung

- Beschädigen Sie das Netzkabel nicht. Andernfalls könnte ein Brand, elektrischer Schlag oder Beschädigung des Geräts erfolgen.
 - Keine schweren Gegenstände auf das Netzkabel setzen.
 - Das Netzkabel in keiner Weise umrüsten.
 - Das Netzkabel nicht strapazieren.
 - Das Netzkabel von Hitzequellen fernhalten.

- Versorgen Sie ausschließlich die für das Gerät vorgegebene Spannung. Die erforderliche Spannung ist auf dem Typschild des Geräts angegeben.
- Verwenden Sie ausschließlich das vorgegebene Netzteil/Netzkabel. Der Einsatz eines falschen Adapters kann eine Beschädigung oder Überhitzung des Geräts verursachen.
- Das zugehörige Netzteil/Netzkabel darf nicht mit anderen Geräten eingesetzt werden. Anderenfalls könnte ein Brand, Verbrennungen oder eine Beschädigung des Geräts verursacht werden.
- Prüfen Sie regelmäßig den Zustand des Netzsteckers und entfernen Sie jeglichen Schmutz oder Staub, der sich darauf angesammelt hat.
- Der Netzstecker muss vollständig eingesteckt werden, um Stromschläge oder Brände zu vermeiden.
- Achten Sie beim Aufstellen des Geräts darauf, dass sich eine Netzsteckdose in der Nähe befindet. Sollten Probleme oder eine Störung auftreten, ziehen Sie den Netzstecker umgehend von der Netzsteckdose ab. Solange das Netzkabel noch an der Steckdose angeschlossen ist, ist das Gerät nicht von der Stromversorgung getrennt.
- Ziehen Sie den Netzstecker aus der Steckdose, wenn das Gerät längere Zeit nicht verwendet werden soll.
- Berühren Sie während eines Gewitters weder das Gerät noch den Netzstecker.

Nicht öffnen

- Dieses Gerät enthält keine vom Benutzer zu wartenden Teile. Die inneren Bauteile weder zerlegen noch in irgendeiner Weise modifizieren.

Gefahr durch Wasser

- Schützen Sie das Gerät vor Regen, Wasser und Feuchtigkeit, und stellen Sie keine mit Flüssigkeiten befüllten Behälter (wie Vasen, Flaschen oder Gläser) darauf ab, deren Inhalt in die Öffnungen auslaufen könnte.
- Den Netzstecker niemals mit nassen Händen in die Steckdose stecken oder daraus abziehen.

Brandschutz

- Halten Sie brennende Gegenstände und offene Flammen vom Gerät fern, um einen Brand zu vermeiden.

Kabellose Komponenten

- Verwenden Sie dieses Gerät nicht in der Nähe von medizinischen Geräten oder in medizinischen Einrichtungen. Funkwellen von diesem Gerät können medizinische Geräte stören.
- Personen mit Herzschrittmacher- oder Defibrillator-Implantat müssen mindestens 15 cm von diesem Gerät entfernt bleiben. Funkwellen von diesem Gerät können medizinische Geräte wie Herzschrittmacher- oder Defibrillator-Implantate stören.

Wartung

- Bevor Sie das Gerät reinigen, ziehen Sie den Netzstecker aus der Steckdose ab.

Laden

- Das Aufladen muss innerhalb des vorgegebenen Temperaturbereichs erfolgen. Das Laden bei einer Temperatur außerhalb des Bereichs kann Flüssigkeitsaustritt, Überhitzung, Brand oder Beschädigung verursachen.



VORSICHT

Befolgen Sie stets die unten aufgeführten Grundvorsichtsmaßnahmen, um mögliche Verletzungen der eigenen oder anderer Personen zu vermeiden. Folgende Vorsichtsmaßnahmen stellen keine vollständige Aufzählung dar.

Stromversorgung

- Das Netzteil nicht mit einem Tuch oder einer Decke abdecken oder einwickeln.
- Wenn Sie den Netzstecker vom Gerät oder aus der Netzsteckdose abziehen, stets am Stecker selbst ziehen, niemals am Kabel. Durch Ziehen am Netzkabel kann dieses beschädigt werden.

Einsatzort und Verbindungen

- Stellen Sie das Gerät nicht in eine un stabile Lage oder an einem Ort mit übermäßigen Vibrationen, an dem es versehentlich abstürzen und Verletzungen verursachen könnte.
- Halten Sie dieses Gerät außer Reichweite von Kindern. Dieses Gerät eignet sich nicht für den Einsatz an Orten, wo sich Kinder aufhalten könnten.
- Setzen Sie das Gerät nicht an einem Ort ein, wo es korrosiven Gasen oder salzhaltiger Luft ausgesetzt sein könnte. Dadurch kann es zu Fehlfunktionen kommen.
- Trennen Sie das Gerät vom Netzteil, bevor Sie es versetzen.

Vorsichtsmaßnahmen während der Benutzung

- Sie sollten sich weder auf das Gerät abstützen noch schwere Gegenstände darauf abstellen.

ACHTUNG

Beachten Sie folgende Hinweise, um eine Störung bzw. Beschädigung des Geräts, den Verlust von Daten oder andere Sachschäden zu vermeiden.

Umgang und Wartung

- Setzen Sie dieses Gerät nicht in der Nähe eines Fernsehgeräts, Radios oder anderen elektrischen Geräts ein. Andernfalls könnte das Gerät, Fernsehgerät oder Radio Störungen verursachen.
- Setzen Sie dieses Gerät nicht in der Nähe eines Mikrowellenherds ein. Anderenfalls könnte die drahtlose Kommunikation von elektromagnetischen Störungen beeinflusst werden.
- Stellen Sie das Gerät von anderen elektronischen Geräten entfernt auf. Wird dieses Gerät in der Nähe anderer elektronischer Geräte aufgestellt, kann der Empfang von Funkwellen beeinträchtigt und die Kommunikation gestört werden.
- Stellen Sie das Gerät von starken Magnetfeldern entfernt auf. Anderenfalls könnte die Funktion des Geräts beeinträchtigt werden.



- Schließen Sie keine störungsverursachenden Geräte an dieselbe Stromleitung an, mit der dieses Gerät verbunden ist. Anderenfalls könnte Beschädigung oder Störung verursacht werden.
- Setzen Sie das Gerät weder übermäßigem Staub, Vibrationen noch extremer Kälte oder Hitze aus, um eine äußere Schädigung, Betriebsstörungen oder eine Beschädigung innerer Bauteile zu vermeiden.
- Das Gerät nicht an Orten mit starken Temperaturänderungen anbringen. Andernfalls kann sich Kondensation auf der Innenseite oder Oberfläche des Geräts bilden und Beschädigung verursachen.
- Wenn es Grund zur Annahme gibt, dass Kondensation aufgetreten sein könnte, lassen Sie das Gerät zum Schutz vor möglichen Schäden mehrere Stunden lang ausgeschaltet, bis die Kondensation vollständig ausgetrocknet ist.
- Finger und metallische Gegenstände aus dem Inneren der Anschlussbuchsen fernhalten.
- Halten Sie Gegenstände aus Vinyl, Kunststoff oder Gummi fern, andernfalls könnte das Gerät verformt oder verfärbt werden.
- Reinigen Sie das Gerät mit einem trockenen, weichen Tuch. Verwenden Sie keine mit Verdünner, Lösungsmittel, Reiniger oder anderen Chemikalien befeuchtete Wischtücher, um Verformung oder Verfärbung zu vermeiden.

Über mit dem Gerät gebündelte Funktionen/Daten

- Warnung: Der Betrieb dieses Geräts in Wohngebieten kann Funkstörungen verursachen.
- Dieses Gerät unterstützt den 1,9-GHz-DECT-Standard. Wird das Gerät in einer Umgebung eingesetzt, wo CS-Digitalrundfunk empfangen oder PHS verwendet wird, können sich die Funkwellen gegenseitig stören und der Rundfunk oder die Kommunikation beeinträchtigt werden.
- Auch wenn Sie das Mikrofon nicht geladen wird, wird eine minimale Strommenge aufgenommen. Wird das Gerät längere Zeit nicht benutzt, sollten Sie den Netzstecker von der Netzsteckdose abziehen.
- Die Lizenzbedingungen für die in diesem Produkt verwendete Open-Source-Software findet sich auf der folgenden Website.
Für USA und Kanada
<https://uc.yamaha.com/support/>
Für andere Länder
<https://download.yamaha.com/>

Über dieses Handbuch

- Folgende Signalwörter weisen auf wichtige Informationen in vorliegendem Handbuch hin.

 WARNUNG	Dieser Inhalt weist auf „unmittelbares Risiko schwerer Verletzungen oder Todesgefahr“ hin.
 VORSICHT	Der zugehörige Inhalt weist auf „ein Risiko schwerer Verletzungen“ hin.
ACHTUNG	Verweist auf Informationen, die zu beachten sind, um Gerätepannen, -schäden oder -störungen sowie Datenverluste zu verhindern.
WICHTIG	Verweist auf Informationen, die für eine ordnungsgemäße Bedienung und Benutzung des Geräts erforderlich sind.
HINWEIS	Verweist auf Informationen zur Bedienung und Benutzung. Lesen Sie diese nach Bedarf.

- Die Abbildungen in diesem Handbuch dienen lediglich zur Veranschaulichung.
- Yamaha verbessert und aktualisiert die in diesem Gerät enthaltene Software kontinuierlich. Sie können die neueste Software von der Yamaha-Website herunterladen.
- Warnung: Das unbefugte Kopieren dieses Dokuments, ob ganz oder teilweise, ist untersagt.

Bei Übergabe/Entsorgung

- Falls Sie dieses Gerät an eine andere Person weitergeben, legen Sie vorliegendes Handbuch und das Zubehör bei.
- Dieses Gerät enthält recycelbare Komponenten. Wenden Sie sich für die Entsorgung dieses Geräts bitte an die zuständigen örtlichen Behörden.

EINLEITUNG

Vielen Dank für den Kauf eines Mikrofon-Ladegeräts RM-WCH-8 von Yamaha. Es handelt sich hierbei um ein spezielles Ladegerät für Drahtlosmikrofone von Yamaha (RM-WOM/RM-WDR/RM-WGL/RM-WGS).

Lesen Sie das vorliegende Handbuch sorgfältig durch, bevor Sie das Gerät einsetzen.

Lieferumfang

- P16V2.4A-R (Netzteil) :1
- Netzkabel :1 bzw. 3
- Vorliegende Benutzerhandbuch :1

HINWEIS : Die Anzahl Netzkabel hängt vom Erwerbort ab.

Referenzhandbücher

Ausführliche Informationen zu den Funktionen und technischen Daten finden sich im Referenzhandbuch für das Drahtlosmikrofonsystem der RM-Serie. Das Dokument ist auf der Yamaha-Website verfügbar.

Für USA und Kanada

<https://uc.yamaha.com/support/>

Für andere Länder

<https://download.yamaha.com/>

Vor dem Einsatz

Dieses Gerät weist keinen Ein/Aus-Schalter auf. Das Gerät wird wie folgt sicher gestartet.

1. Das Netzgerät und das Netzkabel anschließen.

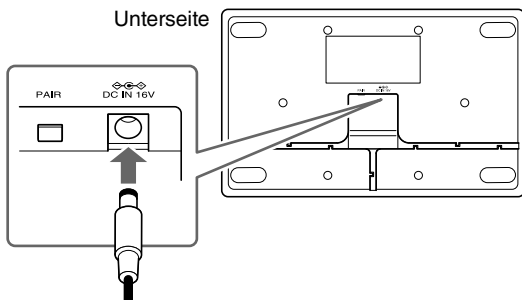
Falls drei Netzkabel vorliegen, wählen Sie dasjenige, dessen Netzstecker der verwendeten Steckdose entspricht.



WARNUNG : Verwenden Sie ausschließlich das zugehörige Netzteil/Netzkabel. Der Einsatz eines falschen Netzteils/Netzkabels kann eine Beschädigung oder Überhitzung des Geräts verursachen.

: Das zugehörige Netzteil/Netzkabel darf nicht mit anderen Geräten eingesetzt werden. Anderenfalls könnte ein Brand, Verbrennungen oder eine Beschädigung des Geräts verursacht werden.

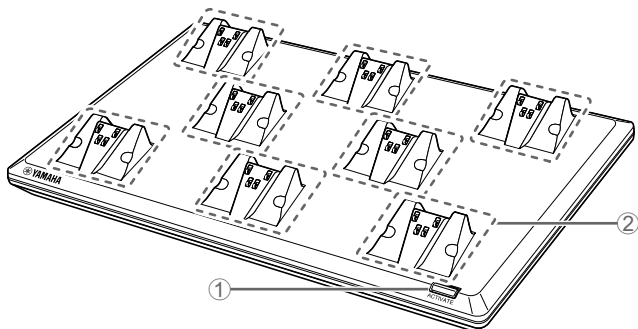
2. Schließen Sie das Netzgerät an dieses Gerät an.



3. Stecken Sie den Netzstecker in die Steckdose ein.

Das Gerät startet.

Oberseite

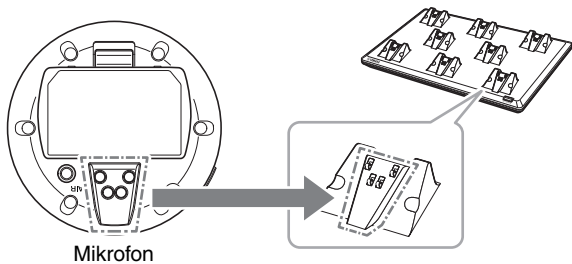


① Taste/Anzeige ACTIVATE

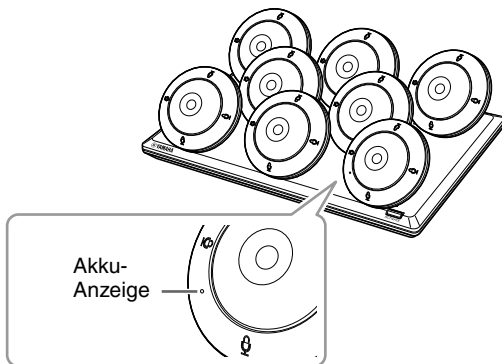
Zum Paaren des Access Points mit den in den Haltern angebrachten Mikrofonen. Einzelheiten finden sich im Referenzhandbuch.

② Mikrofonhalter

Um das Mikrofon magnetisch anzubringen und den Ladevorgang zu beginnen, die Öffnungen an der Unterseite des Mikrofons an den Halternasen andrücken.

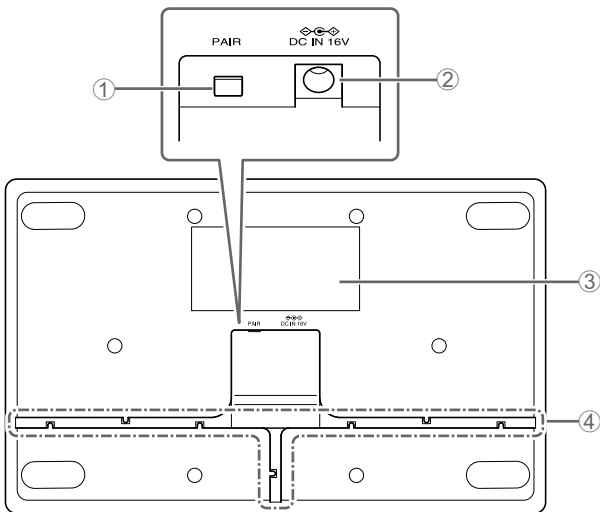


- HINWEIS** : Bis zu acht Mikrofone können gleichzeitig aufgeladen werden.
- : Der Ladestatus (verbleibende Betriebszeit) wird durch die Akku-Anzeige am Mikrofon angezeigt.



Anzeige	Verbleibende Betriebszeit
Leuchtet rot	Unter 3 Stunden
Leuchtet orange	3 bis unter 15 Stunden
Leuchtet grün	Mindestens 15 Stunden

Nach Abschluss des Ladevorgangs erlischt die Anzeige.



① Taste PAIR

Zum Pairen mit dem Access Point.

Einzelheiten finden sich im Referenzhandbuch.

② Netzteilbuchse

Zum Anschließen des zugehörigen Netzteils.

③ Typschild


Informiert über das Gerät und Prüfzeichen für verschiedene Standards.

④ Kabelführungsaussparungen

Zum Verlegen des DC-Kabels vom Netzteil.

TECHNISCHE DATEN

Technische Daten – Allgemein

Abmessungen	B 304,0 mm × T 188,0 mm × H 41,5 mm	
Gewicht	800 g	
Leistungsanforderungen	P16V2.4A-R (Netzteil) Ausgang: 16,0 VDC, 2,4 A 	
Maximale Leistungsaufnahme	16 V, 2,0 A	
Im Betrieb	Temperatur	0 °C – 40 °C
	Luftfeuchtigkeit	20% – 85% (nichtkondensierend)
Lagerung	Temperatur	-20 °C – 60 °C
	Luftfeuchtigkeit	10% – 90% (nichtkondensierend)
Anzeige	ACTIVATE	
Zubehör	<ul style="list-style-type: none">• P16V2.4A-R (Netzteil) :1• Netzkabel :1 bzw. 3• Vorliegende Benutzerhandbuch:1	

Technische Daten – Drahtloskommunikation

Unterstützter Standard	1,9 GHz DECT
Funkfrequenz	<ul style="list-style-type: none">• USA/Kanada: 1920,0 MHz – 1930,0 MHz• Europa/Nordeuropa/Großbritannien/ Australien/Neuseeland: 1880,0 MHz – 1900,0 MHz• Japan: 1893,5 MHz – 1906,1 MHz
Maximale Ausgangsleistung (EIRP)	<ul style="list-style-type: none">• USA/Kanada: 23,5 dBm• Europa/Nordeuropa/Großbritannien/ Australien/Neuseeland/Japan: 26,5 dBm
Antenne (integriert)	Unterstützt Raumdiversität
Einsatz	Steuerung zwischen Access Point und Ladegerät
Maximale Reichweite	50 m (je nach Einsatzumgebung)
Verschlüsselungsmethode	AES (256 Bits)

Der Inhalt dieser Bedienungsanleitung gilt für die neuesten technischen Daten zum Zeitpunkt der Veröffentlichung. Um die neueste Version der Anleitung zu erhalten, rufen Sie die Website von Yamaha auf und laden Sie dann die Datei mit der Bedienungsanleitung herunter.

Verbraucherinformation zur Sammlung und Entsorgung alter Elektrogeräte



Befindet sich dieses Symbol auf den Produkten, der Verpackung und/oder beiliegenden Unterlagen, so sollten benutzte elektrische Geräte nicht mit dem normalen Haushaltsabfall entsorgt werden.

In Übereinstimmung mit Ihren nationalen Bestimmungen bringen Sie alte Geräte bitte zur fachgerechten Entsorgung, Wiederaufbereitung und Wiederverwendung zu den entsprechenden Sammelstellen.

Durch die fachgerechte Entsorgung der Elektrogeräte helfen Sie, wertvolle Ressourcen zu schützen, und verhindern mögliche negative Auswirkungen auf die menschliche Gesundheit und die Umwelt, die andernfalls durch unsachgerechte Müllentsorgung auftreten könnten.

Für weitere Informationen zum Sammeln und Wiederaufbereiten alter Elektrogeräte kontaktieren Sie bitte Ihre örtliche Stadt- oder Gemeindeverwaltung, Ihren Abfallentsorgungsdienst oder die Verkaufsstelle der Artikel.

Information für geschäftliche Anwender in der Europäischen Union:

Wenn Sie Elektrogeräte ausrangieren möchten, kontaktieren Sie bitte Ihren Händler oder Zulieferer für weitere Informationen.

Entsorgungsinformation für Länder außerhalb der Europäischen Union:

Dieses Symbol gilt nur innerhalb der Europäischen Union. Wenn Sie solche Artikel ausrangieren möchten, kontaktieren Sie bitte Ihre örtlichen Behörden oder Ihren Händler und fragen Sie nach der sachgerechten Entsorgungsmethode.

TABLE DES MATIÈRES

PRÉCAUTIONS D'USAGE	39
AVIS	42
INFORMATIONS	44
INTRODUCTION	46
Éléments inclus dans l'emballage	46
Manuels de référence	46
Avant l'utilisation	47
COMMANDES ET FONCTIONS	48
Panneau supérieur	48
Panneau inférieur	50
SPÉCIFICATIONS PRINCIPALES	51

Le numéro de modèle, le numéro de série, l'alimentation requise, etc., se trouvent sur ou près de la plaque signalétique du produit, située dans la partie inférieure de l'unité. Notez le numéro de série dans l'espace fourni ci-dessous et conservez ce manuel en tant que preuve permanente de votre achat afin de faciliter l'identification du produit en cas de vol.

N° de modèle

N° de série

PRÉCAUTIONS D'USAGE

LISEZ ATTENTIVEMENT CES INFORMATIONS AVANT L'INSTALLATION

Conservez ce manuel en lieu sûr pour toute référence ultérieure.

Yamaha ne peut être tenu responsable des dommages matériels causés par une mauvaise manipulation ou des modifications du produit, ou de la perte ou destruction de données.



AVERTISSEMENT

Respectez toujours les précautions élémentaires énumérées ci-dessous afin d'éviter les risques de blessures graves ou même mortelles causées par une électrocution, un court-circuit, des dommages, un incendie ou d'autres risques. Ces précautions incluent mais sans s'y limiter les risques suivants:

En cas d'anomalie

- Si un des problèmes suivants survient, débranchez immédiatement la fiche du cordon d'alimentation de la prise de courant.
 - Le cordon d'alimentation ou sa fiche est effiloché ou endommagé.
 - Le produit émet une odeur bizarre ou de la fumée.
 - Un objet ou de l'eau a pénétré à l'intérieur du produit.
 - Des fissures ou d'autres dommages sont visibles sur le produit.Faites immédiatement inspecter ou réparer le produit par un technicien Yamaha qualifié.

Alimentation

- N'endommagez pas le cordon d'alimentation. Le non-respect de cette consigne peut causer un incendie, une électrocution ou un endommagement du produit.
 - Ne posez pas d'objets lourds sur le cordon.
 - Ne modifiez pas le cordon de quelque manière que ce soit.
 - N'exercez pas une force excessive sur le cordon.
 - Veillez à garder le cordon à l'écart de toute source de chaleur.

- Alimentez uniquement le produit à la tension spécifiée. La tension d'alimentation requise est indiquée sur la plaque de modèle du produit.
- Utilisez exclusivement l'adaptateur secteur/le cordon d'alimentation spécifiés. L'utilisation de tout autre adaptateur peut endommager le produit ou causer une surchauffe.
- Veillez à ne pas utiliser l'adaptateur secteur/le cordon d'alimentation fournis avec d'autres appareils. Sinon, cela pourrait causer un incendie, des brûlures ou un endommagement du produit.
- Vérifiez périodiquement l'état de la prise électrique, dépoussiérez-la et nettoyez-la en prenant soin de retirer toutes les impuretés qui pourraient s'y accumuler.
- Veillez à insérer à fond la fiche du cordon d'alimentation pour éviter des chocs électriques ou un incendie.
- Lors de l'installation du produit, assurez-vous que la prise secteur que vous comptez utiliser est facilement accessible. En cas de problème ou de dysfonctionnement, débranchez immédiatement la fiche de la prise secteur. Tant que la fiche d'alimentation est branchée à la prise secteur, le produit reste connecté à la source d'alimentation.
- Débranchez la fiche d'alimentation de la prise secteur si vous ne comptez pas utiliser le produit pendant une période prolongée.
- Ne touchez pas le produit ni sa fiche d'alimentation durant un orage.

N'ouvrez pas le boîtier du produit.

- Ce produit ne contient aucun composant réparable par l'utilisateur. N'essayez jamais de démonter ni de modifier de quelque manière les composants internes.

Avertissement relatif à la présence d'eau

- N'exposez pas le produit à la pluie, ne l'utilisez pas près d'une source d'eau ou dans un milieu humide et ne déposez pas dessus des récipients (tels que des vases, des bouteilles ou des verres) contenant des liquides qui risqueraient de s'infiltrer par les ouvertures.
- N'essayez jamais de retirer ou d'insérer une fiche électrique avec les mains mouillées.

Prévention contre les incendies

- Ne placez pas d'objets brûlants ou de flammes nues à proximité du produit, au risque de provoquer un incendie.

Appareil sans fil

- N'utilisez pas ce produit à proximité d'appareils médicaux ou au sein d'installations médicales. Les ondes radio transmises par ce produit peuvent affecter les appareils électro-médicaux.
- N'utilisez pas ce produit à moins de 15 cm des personnes disposant d'un stimulateur cardiaque ou d'un défibrillateur. Les ondes radio émanant de ce produit peuvent affecter le fonctionnement des équipements électro-médicaux tels que les stimulateurs cardiaques ou les défibrillateurs cardiaques.

Entretien

- Retirez la fiche d'alimentation de la prise secteur avant de procéder au nettoyage du produit.

Charge

- Chargez en respectant la plage de température de charge spécifiée. Charger à une température en dehors de la plage prescrite pourrait causer une fuite de liquide, une explosion, un incendie ou des dommages.



ATTENTION

Respectez toujours les précautions élémentaires énumérées ci-dessous afin d'éviter les risques de blessures corporelles pour l'utilisateur ou d'autres personnes. Ces précautions incluent mais sans s'y limiter les risques suivants:

Alimentation

- Ne couvrez pas et n'entourez pas l'adaptateur secteur avec un chiffon ou une couverture.
- Veillez à toujours saisir la fiche elle-même, et non le cordon, pour la retirer du produit ou de la prise secteur. Tirer sur le cordon d'alimentation pourrait l'endommager.

Emplacement et connexions

- Ne posez pas le produit sur une surface instable ou soumise à de fortes vibrations, car il risquerait de tomber et de causer des blessures.
- Conservez ce produit hors de portée des enfants. N'utilisez pas ce produit dans des endroits où il serait à la portée des enfants.
- Ne placez pas le produit dans un endroit où il pourrait entrer en contact avec des gaz corrosifs ou de l'air à haute teneur en sel. Cela pourrait provoquer des dysfonctionnements.
- Avant de déplacer le produit, débranchez l'adaptateur secteur connecté.

Précautions d'utilisation

- Ne posez pas d'objets lourds et ne reposez jamais le poids de votre corps sur le produit.

AVIS

Pour éviter les risques de dysfonctionnement/d'endommagement du produit, la perte de données ou des dommages matériels, suivez les consignes ci-dessous.

Manipulation et entretien

- N'utilisez pas le produit à proximité d'un téléviseur, d'une radio ou d'autres appareils électriques. La proximité du téléviseur, de la radio ou d'autres appareils risquerait de générer du bruit.
- N'utilisez pas le produit à proximité d'un four à micro-ondes. Sinon, cela pourrait causer des interférences électromagnétiques avec la communication sans fil.
- Installez le produit à l'écart d'autres appareils électroniques. L'installation de ce produit à proximité d'autres appareils électroniques pourrait affecter la qualité de réception des ondes radio et rendre la communication instable.
- N'installez pas le produit dans un endroit exposé à des champs magnétiques puissants. Sinon, cela pourrait causer un dysfonctionnement du produit.

- Ne branchez pas des appareils générant du bruit à la ligne secteur à laquelle ce produit est branché. Sinon, cela pourrait causer un endommagement ou un dysfonctionnement du produit.
- N'exposez pas le produit à une poussière ou des vibrations excessives, ni à des températures très élevées ou très basses pour éviter un endommagement de la finition, un fonctionnement instable ou un endommagement des composants internes.
- N'utilisez pas le produit dans des endroits soumis à des changements extrêmes de température. Sinon, la formation de condensation à l'intérieur ou à la surface extérieure du produit pourrait l'endommager.
- Si vous suspectez la présence de condensation, laissez le produit hors tension pendant plusieurs heures jusqu'à ce que la condensation ait complètement disparu, afin d'éviter les risques de dommages.
- Ne touchez jamais l'intérieur d'un connecteur et n'y insérez jamais aucun objet métallique.
- Ne posez pas d'objets en vinyle, plastique ou caoutchouc sur le produit, car cela pourrait altérer ou décolorer sa finition.
- Utilisez un chiffon doux et sec pour le nettoyage du produit. N'utilisez jamais de diluant à peinture, de solvant, de liquide de nettoyage ni de chiffon de lavage chimique, car cela pourrait altérer ou décolorer la finition du boîtier.



INFORMATIONS

À propos des fonctions/données fournies avec le produit

- Avertissement: Le fonctionnement de ce produit dans une zone résidentielle pourrait causer des interférences radio.
- Ce produit est conforme à la norme DECT de 1,9 GHz. Si ce produit est utilisé dans un environnement où des signaux de radiodiffusion numérique CS sont reçus ou des dispositifs PHS utilisés, les ondes radio pourraient interférer entre elles et affecter la radiodiffusion et la communication.
- Une faible quantité de courant transite, même quand aucun micro n'est en charge. Si vous ne comptez pas utiliser le produit pendant une période prolongée, débranchez son cordon d'alimentation de la prise secteur.
- Consultez le site Internet suivant pour des informations sur les conditions de licence du logiciel libre utilisé avec ce produit.
États-Unis et Canada
<https://uc.yamaha.com/support/>
Autres pays
<https://download.yamaha.com/>

À propos de ce manuel

- Dans ce manuel, les informations importantes sont repérées par les intitulés suivants:

 AVERTISSEMENT	Ce contenu indique « un risque de blessures graves ou de mort ».
 ATTENTION	Ce contenu indique « un risque de blessures ».
AVIS	Indique des consignes que vous devez respecter afin d'éviter toute défaillance, dommage ou dysfonctionnement du produit et toute perte de données.
IMPORTANT	Indique des informations cruciales pour une utilisation et un fonctionnement corrects du produit.
NOTE	Indique des informations complémentaires liées à l'utilisation et au fonctionnement du produit. Ces informations sont fournies pour votre référence.

- Les illustrations figurant dans ce manuel servent uniquement à expliciter les instructions.
- Yamaha apporte régulièrement des améliorations et offre des mises à jour du logiciel inclus dans ce produit. Vous pouvez télécharger la version la plus récente du logiciel sur le site internet de Yamaha.
- Avertissement: Toute copie non autorisée de ce document, partielle ou intégrale, est interdite.

À propos du transfert de propriété/de la mise au rebut

- Si vous transférez le produit à un tiers, veillez à lui fournir également ce manuel et les accessoires du produit.
- Ce produit contient des composants recyclables. Au moment de la mise au rebut de ce produit, veuillez contacter les autorités compétentes de votre région.

INTRODUCTION

Nous vous remercions d'avoir choisi le chargeur pour microphone Yamaha RM-WCH-8. Cet appareil est un chargeur dédié aux microphones sans fil Yamaha (RM-WOM/RM-WDR/RM-WGL/RM-WGS).

Veillez à lire entièrement ce manuel avant d'utiliser le produit.

Éléments inclus dans l'emballage

- P16V2.4A-R (adaptateur secteur): 1
- Cordon d'alimentation : 1 ou 3
- Mode d'emploi (ce document) : 1

NOTE : Le nombre de cordons d'alimentation fournis dépend de la région d'achat.

Manuels de référence

Pour des détails sur les fonctions et les caractéristiques de cet appareil, lisez le Manuel de référence du système de micro sans fil de la série RM. Ce document est aussi disponible sur le site internet de Yamaha.

États-Unis et Canada

<https://uc.yamaha.com/support/>

Autres pays

<https://download.yamaha.com/>

Avant l'utilisation

Cet appareil n'est pas équipé d'un bouton d'alimentation. Pour votre sécurité, suivez les étapes ci-dessous pour démarrer l'appareil.

1. Branchez l'adaptateur secteur et le cordon d'alimentation.

Si trois cordons d'alimentation sont fournis avec l'appareil, utilisez celui dont la fiche est adaptée à la prise de courant utilisée.

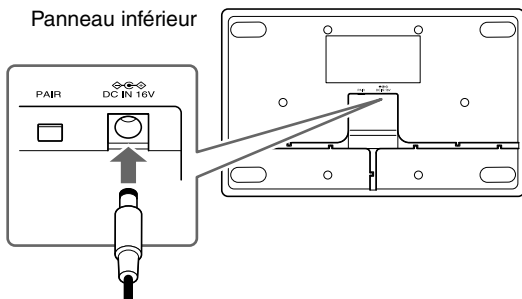


AVERTISSEMENT : Utilisez exclusivement l'adaptateur secteur et le cordon d'alimentation fournis. L'utilisation de tout autre adaptateur ou cordon d'alimentation peut endommager le produit ou causer une surchauffe.

: Veillez à ne pas utiliser l'adaptateur secteur/ le cordon d'alimentation fournis avec d'autres appareils.

Sinon, cela pourrait causer un incendie, des brûlures ou un endommagement du produit.

2. Raccordez l'adaptateur secteur à cette unité.

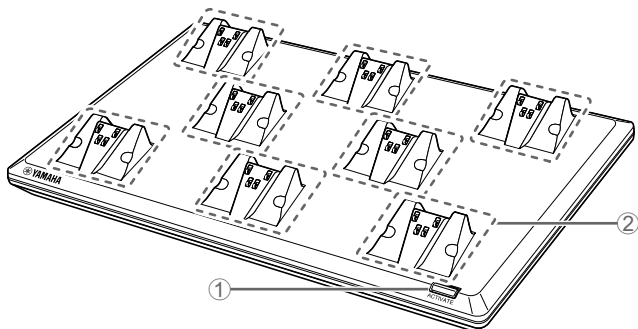


3. Insérez la fiche du cordon d'alimentation dans une prise de courant.

L'unité est mise sous tension.

COMMANDES ET FONCTIONS

Panneau supérieur

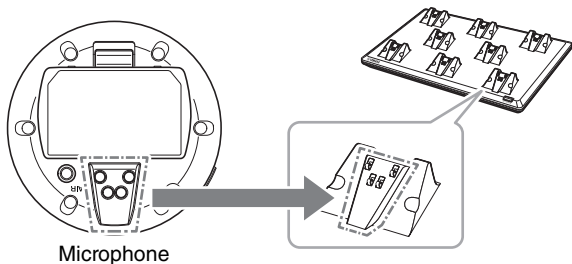


① Bouton/témoin ACTIVATE

Sert à appairer le point d'accès avec les micros placés dans les logements pour micros. Pour plus d'informations, reportez-vous au Manuel de référence.

② Logements pour micros

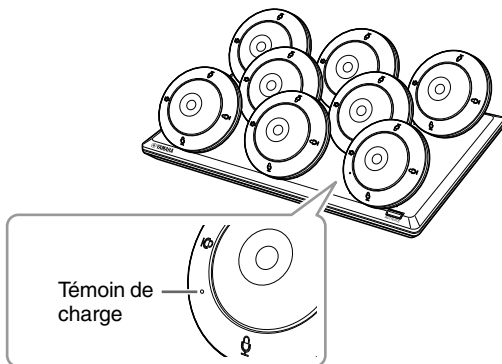
Appuyez les orifices sur le dessous du microphone contre les projections du logement pour fixer le microphone grâce à un aimant et démarrer sa charge.



Microphone

NOTE : Vous pouvez charger simultanément jusqu'à huit microphones.

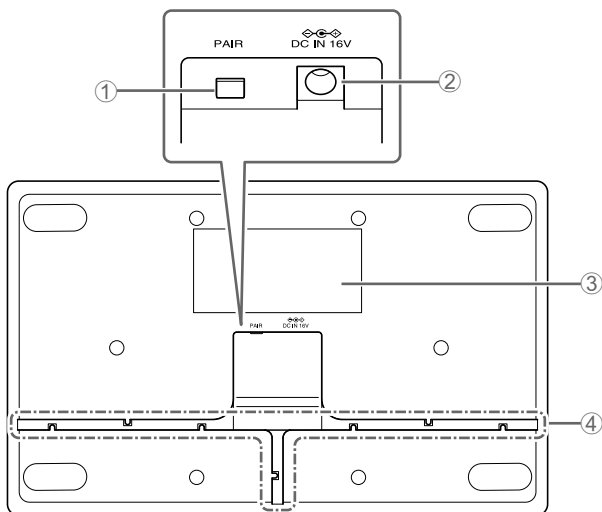
: L'état de charge (et donc la durée résiduelle d'utilisation) est indiqué par le témoin de charge du microphone.



Témoin	Durée résiduelle d'utilisation
Allumé en rouge	Moins de 3 heures
Allumé en orange	Entre 3 et 15 heures
Allumé en vert	15 heures ou plus

Quand la charge est terminée, le témoin s'éteint.

Panneau inférieur



① Bouton PAIR

Sert à appairer cet appareil avec le point d'accès.

Pour plus d'informations, reportez-vous au Manuel de référence.

② Prise pour adaptateur secteur

Branchez ici l'adaptateur secteur fourni.

③ Étiquette de modèle


Fournit des informations sur cet appareil et des symboles de conformité à diverses normes.

④ Passe-câble

Il sert à acheminer le câble d'alimentation de l'adaptateur secteur.

SPÉCIFICATIONS PRINCIPALES

Spécifications générales

Dimensions	L 304,0 mm × P 188,0 mm × H 41,5 mm	
Poids	800 g	
Spécifications d'alimentation	P16V2.4A-R (adaptateur secteur) Sortie: 16,0 V CC, 2,4 A 	
Consommation maximale	16 V, 2,0 A	
Durant le fonctionnement	Température	0 °C – 40 °C
	Humidité	20% – 85% (sans condensation)
Remisage	Température	-20 °C – 60 °C
	Humidité	10% – 90% (sans condensation)
Témoin	Activation	
Accessoires	<ul style="list-style-type: none">• P16V2.4A-R (adaptateur secteur) : 1• Cordon d'alimentation : 1 ou 3• Mode d'emploi (ce document) : 1	

Caractéristiques sans fil

Norme prise en charge	1,9 GHz DECT
Fréquence radio	<ul style="list-style-type: none">• États-Unis/Canada: 1920.0 – 1930.0 MHz• Europe/Europe du Nord/R.-U./Australie/ Nouvelle-Zélande: 1880.0 – 1900.0 MHz• Japon: 1893.5 – 1906.1 MHz
Puissance de transmission maximum (EIRP)	<ul style="list-style-type: none">• États-Unis/Canada: 23,5 dBm• Europe/Europe du Nord/R.-U./Australie/ Nouvelle-Zélande/Japon: 26,5 dBm
Antenne (intégrée)	Diversité d'antenne prise en charge
Applications	Commande entre le point d'accès et le chargeur
Portée maximum	50 m (selon l'environnement d'utilisation)
Méthode de cryptage	AES (256 bits)

Le contenu de ce mode d'emploi s'applique aux dernières caractéristiques techniques connues à la date de publication du manuel. Pour obtenir la version la plus récente du manuel, accédez au site Web de Yamaha puis téléchargez le fichier du manuel concerné.

Informations concernant la collecte et le traitement des déchets d'équipements électriques et électroniques



Le symbole sur les produits, l'emballage et/ou les documents joints signifie que les produits électriques ou électroniques usagés ne doivent pas être mélangés avec les déchets domestiques habituels.

Pour un traitement, une récupération et un recyclage appropriés des déchets d'équipements électriques et électroniques, veuillez les déposer aux points de collecte prévus à cet effet, conformément à la réglementation nationale.

En vous débarrassant correctement des déchets d'équipements électriques et électroniques, vous contribuerez à la sauvegarde de précieuses ressources et à la prévention de potentiels effets négatifs sur la santé humaine qui pourraient advenir lors d'un traitement inapproprié des déchets.

Pour plus d'informations à propos de la collecte et du recyclage des déchets d'équipements électriques et électroniques, veuillez contacter votre municipalité, votre service de traitement des déchets ou le point de vente où vous avez acheté les produits.

Pour les professionnels dans l'Union européenne:

Si vous souhaitez vous débarrasser des déchets d'équipements électriques et électroniques, veuillez contacter votre vendeur ou fournisseur pour plus d'informations.

Informations sur la mise au rebut dans d'autres pays en dehors de l'Union européenne:

Ce symbole est seulement valable dans l'Union européenne. Si vous souhaitez vous débarrasser de déchets d'équipements électriques et électroniques, veuillez contacter les autorités locales ou votre fournisseur et demander la méthode de traitement appropriée.

Cet équipement est conforme aux limites d'exposition aux rayonnements énoncées pour un environnement non contrôlé et respecte les règles d'exposition aux fréquences radioélectriques (RF) CNR-102 de l'ISDE. Cet équipement doit être installé et utilisé en gardant une distance de 20 cm ou plus entre le radiateur et le corps humain.

L'émetteur/récepteur exempt de licence contenu dans le présent appareil est conforme aux CNR d'Innovation, Sciences et Développement économique Canada applicables aux appareils radio exempts de licence. L'exploitation est autorisée aux deux conditions suivantes:

1. L'appareil ne doit pas produire de brouillage;
2. L'appareil doit accepter tout brouillage radioélectrique subi, même si le brouillage est susceptible d'en compromettre le fonctionnement.

CONTENIDO

PRECAUCIONES	57
AVISO	60
INFORMACIÓN	62
INTRODUCCIÓN	64
Elementos incluidos.....	64
Manuales de referencia	64
Antes del uso.....	65
CONTROLES Y FUNCIONES	66
Panel superior	66
Panel inferior.....	68
ESPECIFICACIONES PRINCIPALES	69

El número de modelo, el número de serie, los requisitos de alimentación, etc. pueden encontrarse en la placa de identificación o cerca de ella. Esta placa se encuentra en la parte inferior de la unidad. Debe anotar dicho número en el espacio proporcionado a continuación y conservar este manual como comprobante permanente de su compra para facilitar la identificación en caso de robo.

Nº de modelo

Nº de serie

PRECAUCIONES

LEA ATENTAMENTE LA SIGUIENTE INFORMACIÓN ANTES DE CONTINUAR.

Conserve este manual en un lugar seguro como referencia futura.

Yamaha no se hace responsable de los daños causados por un uso inapropiado o modificaciones del producto, ni de los datos perdidos o destruidos.



ADVERTENCIA

Siga siempre las precauciones básicas descritas a continuación para evitar la posibilidad de lesiones graves o mortales por descarga eléctrica, cortocircuito, daños, incendio u otros peligros. Entre estas precauciones se incluyen, entre otras, las siguientes:

Si observa cualquier anomalía

- Si se produce cualquiera de los siguientes problemas, desconecte de inmediato el enchufe de la toma.
 - El cable o el enchufe de alimentación están deshilachados o dañados.
 - Se emiten humo u olores inusuales.
 - Un objeto o agua han caído al interior del producto.
 - Aparecen grietas u otros daños visibles en el producto.Pida al Servicio técnico cualificado de Yamaha que inspeccione o repare el producto.

Alimentación

- Evite dañar el cable de alimentación. Si no se cumple esta precaución, puede producirse un incendio, una descarga eléctrica o daños en el producto.
 - No coloque objetos pesados sobre el cable.
 - No modifique el cable de ninguna manera.
 - No aplique una fuerza excesiva sobre el cable.
 - Asegúrese de mantener el cable alejado de cualquier objeto caliente.

- Utilice únicamente el voltaje especificado como correcto para el producto. El voltaje necesario está impreso en la placa de identificación del producto.
- Utilice únicamente el adaptador/cable de alimentación especificados. El uso de un adaptador incorrecto puede provocar daños en el producto o sobrecalentamiento.
- No utilice el adaptador/cable de alimentación suministrados con otros dispositivos. De lo contrario, se puede provocar un incendio, quemaduras o daños en el producto.
- Compruebe periódicamente el enchufe y quite la suciedad o el polvo que pudiera haberse acumulado en él.
- Asegúrate de insertar completamente el enchufe para evitar descargas eléctricas o incendios.
- Cuando instale el producto, asegúrese de que se puede acceder fácilmente a la toma de CA que utilice. Si se produce algún problema o funcionamiento defectuoso, desconecte de inmediato el enchufe de la toma. Mientras el cable de alimentación no se desenchufe de la toma de CA de la pared, el producto no se desconectará de la alimentación.
- Extraiga el enchufe de la toma cuando no se vaya a utilizar el producto durante un periodo prolongado.
- No toque el producto ni el enchufe durante una tormenta eléctrica.

No abrir

- Este producto no contiene piezas que pueda reparar el usuario. No intente desmontar las piezas internas ni modificarlas de manera alguna.

Advertencia sobre el agua

- No exponga el producto a la lluvia, ni lo use cerca del agua o en lugares donde haya mucha humedad o donde pueda gotear agua, ni le ponga encima recipientes (como jarrones, botellas o vasos) que contengan líquido, ya que podrían derramarse y penetrar por las aberturas.
- Nunca enchufe o desenchufe un cable eléctrico con las manos mojadas.

Advertencia sobre el contacto con fuego

- No coloque objetos ardientes ni llamas abiertas cerca del producto, ya que existe riesgo de incendio.

Unidad inalámbrica

- No utilice este producto cerca de dispositivos médicos ni dentro de instalaciones sanitarias. Las ondas de radiofrecuencia de este producto pueden afectar a los dispositivos de electromedicina.
- No utilice este producto a menos de 15 cm de personas que tengan implantado un marcapasos o un desfibrilador. Las ondas de radiofrecuencia que emite este producto pueden afectar a los dispositivos de electromedicina implantados, como marcapasos o desfibriladores.

Mantenimiento

- Desconecte el enchufe de alimentación de la toma de CA al limpiar el producto.

Carga

- Cárguela con el intervalo de temperatura de carga especificado. Si se carga a una temperatura que está fuera del intervalo, se pueden producir fugas, explosiones, incendios o daños.



ATENCIÓN

Siga siempre las precauciones básicas descritas a continuación para evitar la posibilidad de que usted u otras personas sufran lesiones físicas. Entre estas precauciones se incluyen, entre otras, las siguientes:

Alimentación

- No cubra ni envuelva el adaptador de CA con una tela o manta.
- Al retirar el enchufe del producto o de una toma, tire siempre del enchufe y no del cable. Si tira del cable, podría dañarlo.

Ubicación y conexión

- No coloque el producto en una posición inestable o en una ubicación con vibraciones excesivas, donde pueda caerse accidentalmente y provocar lesiones.
- Mantenga este producto fuera de alcance de los niños. Este producto no es adecuado para su uso en lugares donde es probable que haya niños.
- No coloque el producto en un lugar donde pueda entrar en contacto con gases corrosivos o aire salobre. Si ocurriera, podría dar lugar a un funcionamiento defectuoso.
- Antes de trasladar el producto, retire el adaptador de CA conectado.

Precauciones de uso

- No se apoye en el producto ni coloque objetos pesados encima.

AVISO

Para evitar la posibilidad de un fallo de funcionamiento o de que se produzcan daños en el producto, en los datos o en otros objetos, siga los avisos que se indican a continuación.

Manipulación y mantenimiento

- No utilice el producto cerca de televisores, radios u otros aparatos eléctricos. De lo contrario, el aparato, el televisor o la radio podrían generar ruido.
- No utilice el producto cerca de un horno microondas. De lo contrario, existe el riesgo de que se produzcan interferencias electromagnéticas con la comunicación inalámbrica.
- Instale el producto en una ubicación alejada de otros dispositivos electrónicos. Si instala este producto cerca de otros dispositivos electrónicos, puede provocar que la calidad de las ondas de radio recibidas se vea afectada y que la comunicación se vuelva inestable.

- No instale el producto en una ubicación en la que los campos magnéticos sean intensos. De lo contrario, podría provocar un fallo de funcionamiento del producto.
- No conecte dispositivos que generen ruido a la misma línea de alimentación a la que está conectado este producto. De lo contrario, se pueden producir daños o fallos de funcionamiento.
- No exponga el producto a un exceso de polvo o vibraciones, ni a calor o frío intensos, para evitar la posibilidad de que se deforme, de que se dañen los componentes internos o de un funcionamiento inestable.
- No lo coloque en lugares con cambios de temperatura acusados. De lo contrario, puede formarse condensación en el interior o en la superficie del producto, lo que provocará su rotura.
- Si hay motivos para creer que se ha producido condensación, deje el producto apagado durante varias horas hasta que la condensación se haya secado por completo, para evitar posibles daños.
- No toque el interior de un puerto con los dedos o con objetos metálicos.
- No coloque objetos de vinilo, plástico o goma sobre el producto, ya que podrían alterarlo o decolorarlo.
- Cuando limpie el producto, utilice un paño seco y suave. No use diluyentes de pintura, disolventes, líquidos limpiadores ni paños impregnados con productos químicos, ya que podrían provocar alteraciones o decoloración.

INFORMACIÓN

Acerca de las funciones/datos incluidos con el producto

- Advertencia: El uso de este producto en un entorno residencial podría provocar interferencias de radio.
- Este producto es compatible con el estándar DECT de 1,9 GHz. Si el producto se utiliza en un entorno en el que se reciben emisiones digitales CS o se utiliza PHS, las ondas de radio pueden interferir entre sí y afectar a las emisiones y la comunicación.
- Aunque el micrófono no se esté cargando, seguirá fluyendo una pequeña cantidad de corriente. Si no va utilizar el producto durante un periodo prolongado, asegúrese de desenchufar el cable de alimentación de la toma de CA de la pared.
- Consulte en el sitio web que figura a continuación para ver las condiciones de licencia del software de código abierto utilizado en este producto.

EE. UU. y Canadá



<https://uc.yamaha.com/support/>

Otros países

<https://download.yamaha.com/>

Acerca de este manual

- Este manual utiliza las siguientes palabras indicadoras para la información importante:

 ADVERTENCIA	Este contenido está relacionado con “riesgo de lesiones graves o muerte”.
 ATENCIÓN	Este contenido está relacionado con “riesgo de lesiones”.
AVISO	Indica contenido que debe cumplir para evitar fallos de funcionamiento, daños o un funcionamiento incorrecto del producto, así como para evitar la pérdidas de datos.
IMPORTANTE	Indica contenido que debe conocer para operar y utilizar el producto correctamente.
NOTA	Indica información relacionada con el funcionamiento y el uso. Lea este contenido como referencia.

- Las ilustraciones que se muestran en este manual son únicamente orientativas.
- Yamaha realiza constantemente mejoras y actualizaciones del software incluido en este producto. Puede descargar el software más reciente en el sitio web de Yamaha.
- Advertencia: Se prohíbe la copia parcial o total no autorizada de este documento.

Acerca de la transferencia/eliminación

- Si transfiere el producto a un tercero, incluya este manual y los accesorios.
- Este producto contiene componentes reciclables. Para desechar este producto, póngase en contacto con las autoridades locales correspondientes.

INTRODUCCIÓN

Gracias por adquirir el cargador de micrófono RM-WCH-8 de Yamaha. Esta unidad es un cargador dedicado para micrófonos inalámbricos de Yamaha (RM-WOM/RM-WDR/RM-WGL/RM-WGS).

Asegúrese de leer este manual antes de utilizar la unidad.

Elementos incluidos

- P16V2.4A-R (adaptador de CA) :1
- Cable de alimentación :1 o 3
- Manual de instrucciones (este documento) :1

NOTA : El número de cables de alimentación varía según la región en la que se realice la compra.

Manuales de referencia

Para conocer más detalles sobre las funciones y especificaciones de esta unidad, lea el Manual de referencia del sistema de micrófono inalámbrico de la serie RM. Esta publicación está disponible en el sitio web de Yamaha.

EE. UU. y Canadá

<https://uc.yamaha.com/support/>

Otros países

<https://download.yamaha.com/>

Antes del uso

Esta unidad no tiene un botón de alimentación. Por su seguridad, siga los pasos siguientes para iniciar la unidad.

1. Conecte el adaptador de CA y el cable de alimentación.

Si se incluyen tres cables de alimentación, seleccione el que tenga el enchufe correspondiente a la toma que se está utilizando.

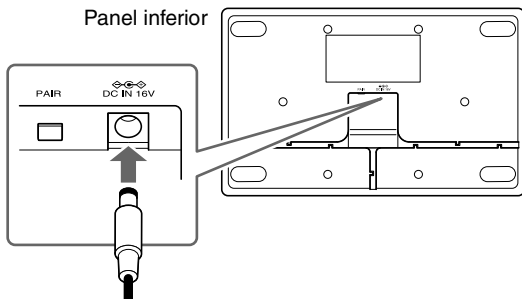


ADVERTENCIA : Utilice únicamente el adaptador/cable de alimentación suministrados. El uso de un adaptador/cable de alimentación incorrectos puede provocar daños en el producto o sobrecalentamiento.

: No utilice el adaptador/cable de alimentación suministrados con otros dispositivos.

De lo contrario, se puede provocar un incendio, quemaduras o daños en el producto.

2. Conecte el adaptador de CA a esta unidad.

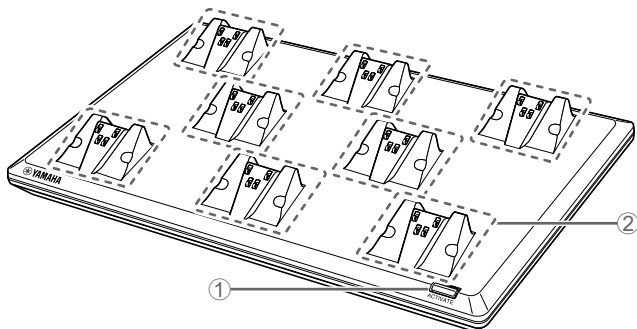


3. Inserte el enchufe de alimentación en la toma eléctrica.

La unidad se iniciará.

CONTROLES Y FUNCIONES

Panel superior

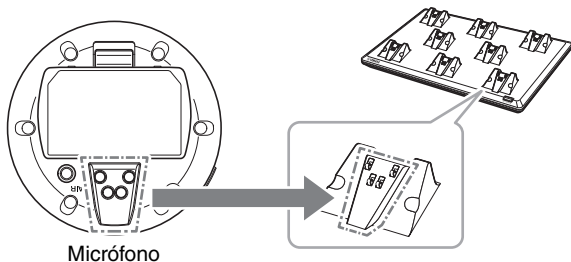


① Botón/Indicador ACTIVATE

Se utiliza para emparejar el punto de acceso con los micrófonos colocados en los soportes. Para conocer más detalles, consulte el Manual de referencia.

② Soportes de micrófonos

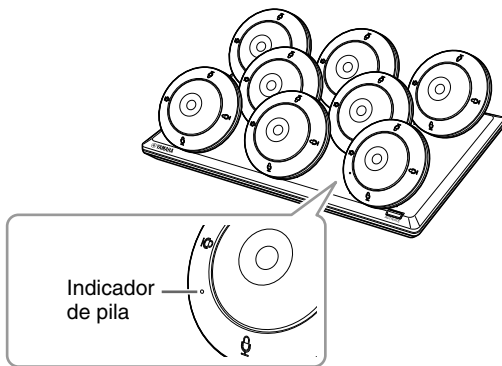
Presione los orificios situados en la parte inferior del micrófono contra las lengüetas del soporte para fijar magnéticamente el micrófono y empezar a cargarlo.



Micrófono

NOTA : Se pueden cargar hasta ocho micrófonos al mismo tiempo.

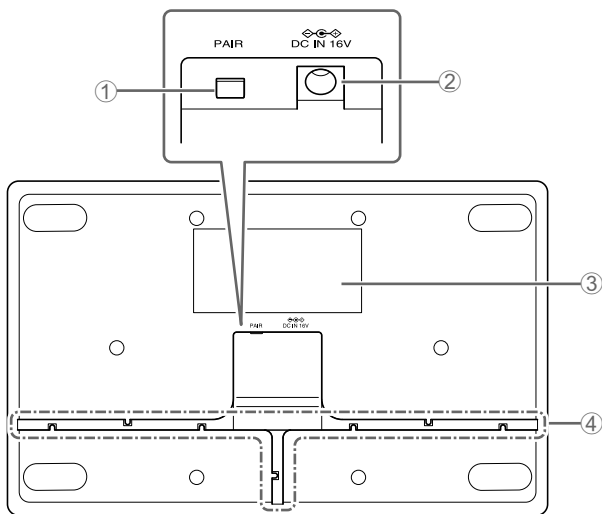
: El estado de carga (tiempo de funcionamiento restante) se indica mediante el indicador de pila del micrófono.



Indicador	Tiempo de funcionamiento restante
Encendido en rojo	Menos de 3 horas
Encendido en naranja	Entre 3 horas y menos de 15 horas
Encendido en verde	15 horas o más

Al finalizar la carga, el indicador se apagará.

Panel inferior



① Botón PAIR

Se utiliza para emparejar esta unidad con el punto de acceso. Para conocer más detalles, consulte el Manual de referencia.

② Toma de adaptador de CA

Permite conectar el adaptador de CA incluido.

③ Etiqueta del producto


Proporciona información sobre esta unidad y marcas de conformidad con diversas normas.

④ Ranuras para cables

Se utilizan para pasar el cable de CC del adaptador de CA.

ESPECIFICACIONES PRINCIPALES

Especificaciones generales

Dimensiones	An. 304,0 mm × Prof. 188,0 mm × Al. 41,5 mm	
Peso	800 g	
Requisitos de alimentación	P16V2.4A-R (adaptador de CA) Salida: 16,0 V CC, 2,4 A 	
Consumo de potencia máximo	16 V, 2,0 A	
En funcionamiento	Temperatura	0 °C – 40 °C
	Humedad	20% – 85% (sin condensación)
Almacenamiento	Temperatura	-20 °C – 60 °C
	Humedad	10% – 90% (sin condensación)
Indicador	Activate	
Accesorios	<ul style="list-style-type: none">• P16V2.4A-R (adaptador de CA) :1• Cable de alimentación :1 o 3• Manual de instrucciones (este documento) :1	

Especificaciones inalámbricas

Estándar admitido	Estándar DECT de 1,9 GHz
Radiofrecuencia	<ul style="list-style-type: none">• EE. UU./Canadá: 1920,0 MHz – 1930,0 MHz• Europa/Norte de Europa/Reino Unido/Australia/Nueva Zelanda: 1880,0 MHz – 1900,0 MHz• Japón: 1893,5 MHz – 1906,1 MHz
Potencia de salida máxima (EIRP)	<ul style="list-style-type: none">• EE. UU./Canadá: 23,5 dBm• Europa/Norte de Europa/Reino Unido/Australia/Nueva Zelanda/Japón: 26,5 dBm
Antena (integrada)	Compatible con diversos espacios
Uso	Control entre el punto de acceso y el cargador
Distancia máxima de cobertura	50 m (depende del entorno de uso)
Método de cifrado	AES (256 bits)

El contenido de este manual se aplica a las últimas especificaciones según la fecha de publicación. Para obtener el último manual, acceda al sitio web de Yamaha y descargue el archivo del manual.

Información para usuarios sobre la recogida y eliminación de los equipos antiguos



Este símbolo en los productos, embalajes y documentos anexos significa que los productos eléctricos y electrónicos no deben mezclarse con los desperdicios domésticos normales.

Para el tratamiento, recuperación y reciclaje apropiados de los productos antiguos, llévelos a puntos de reciclaje correspondientes, de acuerdo con la legislación nacional.

Al deshacerse de estos productos de forma correcta, ayudará a ahorrar recursos valiosos y a impedir los posibles efectos desfavorables en la salud humana y en el entorno que de otro modo se producirían si se trataran los desperdicios de modo inapropiado.

Para obtener más información acerca de la recogida y el reciclaje de los productos antiguos, póngase en contacto con las autoridades locales, con el servicio de eliminación de basuras o con el punto de venta donde adquirió los artículos.

Para los usuarios empresariales de la Unión Europea:

Si desea desechar equipos eléctricos y electrónicos, póngase en contacto con su vendedor o proveedor para obtener más información.

Información sobre la eliminación en otros países fuera de la Unión Europea:

Este símbolo solo es válido en la Unión Europea. Si desea desechar estos artículos, póngase en contacto con las autoridades locales o con el vendedor y pregúnteles el método correcto.

CONTEÚDO

PRECAUÇÕES	73
AVISO.....	76
INFORMAÇÃO	78
INTRODUÇÃO	80
Itens inclusos.....	80
Manuais de referência	80
Antes de usar	81
CONTROLES E FUNÇÕES	82
Painel superior.....	82
Painel inferior.....	84
PRINCIPAIS ESPECIFICAÇÕES.....	85

O número de modelo, número de série, requisitos de energia, etc. podem ser encontrados na placa de nome, que está na parte inferior da unidade. Anote-o no espaço reservado abaixo e guarde este manual como registro de compra permanente para auxiliar na identificação do produto em caso de roubo.

N° do modelo

N° de série

PRECAUÇÕES

LEIA ATENTAMENTE ANTES DE PROSSEGUIR

Por favor guarde este manual em um lugar seguro para futuras consultas.

A Yamaha não se responsabiliza por danos causados pelo uso inadequado ou por modificações no produto ou por dados perdidos ou destruídos.



ADVERTÊNCIA

Sempre siga as precauções básicas listadas abaixo para evitar a possibilidade de ferimentos graves ou até a morte por choque elétrico, curto-circuito, danos, incêndio ou outros perigos. Essas precauções incluem, entre outras, o seguinte:

Se você perceber alguma anormalidade

- Se algum dos problemas a seguir ocorrer, desconecte imediatamente o plugue elétrico da tomada.
 - O cabo de alimentação ou plugue está desgastado ou danificado.
 - Cheiros incomuns ou fumaça são emitidos.
 - Algum objeto ou água foi jogada no produto.
 - Rachaduras ou outros danos visíveis aparecem no produto.Depois, inspecione ou conserte o produto por pessoal qualificado da Yamaha.

Fonte de energia

- Não danifique o cabo de alimentação. A inobservância desta precaução pode resultar em incêndio, choque elétrico ou danos ao produto.
 - Não coloque objetos pesados sobre o cabo.
 - Não processe o cabo de forma alguma.
 - Não aplique força excessiva ao cabo.
 - Certifique-se de manter o cabo longe de qualquer coisa quente.

- Use apenas a tensão especificada como correta para o produto. A tensão necessária está impressa na placa de identificação do produto.
- Use apenas o adaptador / cabo de alimentação especificado. Usar o adaptador incorreto pode resultar em danos ao produto ou superaquecimento.
- Não use o adaptador / cabo de alimentação fornecido com outros dispositivos. Caso contrário, podem ocorrer incêndios, queimaduras ou danos ao produto.
- Verifique o plugue de alimentação periodicamente e remova qualquer sujeira ou poeira que possa ter acumulado nele.
- Certifique-se de inserir totalmente o plugue elétrico para evitar choques elétricos ou incêndio.
- Ao configurar o produto, certifique-se de que a tomada CA que você está usando possa ser acessada facilmente. Se ocorrer algum problema ou mau funcionamento, desconecte imediatamente o plugue da tomada. Desde que o cabo de alimentação não seja desconectado da tomada CA da parede, o produto não será desconectado da fonte de alimentação.
- Remova o plugue elétrico da tomada quando o produto não for usado por longos períodos de tempo.
- Não toque no produto ou no plugue elétrico durante uma tempestade elétrica.

Não abra

- Este produto não contém peças que possam ser reparadas pelo usuário. Não tente desmontar as peças internas ou modificá-las de qualquer forma.

Advertência relativa a água

- Não exponha o produto à chuva, use-o próximo à água ou em condições úmidas ou molhadas, nem coloque sobre ele recipientes (como vasos, garrafas ou copos) que contenham líquidos que possam derramar em qualquer abertura.
- Nunca insira nem retire um plugue de alimentação com as mãos molhadas.

Advertência de fogo

- Não coloque itens em chamas ou chamas próximas ao produto, pois podem causar incêndio.

Unidade sem fio

- Não use este produto perto de dispositivos médicos ou dentro de instalações médicas. As ondas de rádio deste produto podem afetar dispositivos eletromédicos.
- Não use este produto a menos de 15 cm. De pessoas com implante de marca-passo cardíaco ou desfibrilador. As ondas de rádio deste produto podem afetar dispositivos eletromédicos, como implantes de marcapasso cardíaco ou desfibrilador.

Manutenção

- Remova o plugue de alimentação da tomada CA ao limpar o produto.

Carregando

- Carregue dentro da faixa de temperatura de carregamento especificada. Carregar em uma temperatura fora da faixa pode causar vazamento, explosão, incêndio ou danos.



CUIDADO

Sempre siga as precauções básicas listadas abaixo para evitar a possibilidade de lesões físicas a você ou a outras pessoas. Essas precauções incluem, entre outras, o seguinte:

Fonte de energia

- Não cubra ou embrulhe o adaptador CA com um pano ou cobertor.
- Ao remover o plugue elétrico do produto ou da tomada, segure sempre pelo próprio plugue e nunca pelo cabo. Puxar pelo cabo pode danificá-lo.

Localização e conexão

- Não coloque o produto em uma posição instável ou em um local com vibração excessiva, onde possa cair acidentalmente e causar ferimentos.
- Mantenha este produto fora do alcance das crianças. Este produto não é adequado para uso em locais onde é provável que crianças estejam presentes.
- Não coloque o produto em um local em que possa entrar em contato com gases corrosivos ou ar salgado. Fazer isso pode causar maus funcionamentos.
- Antes de mover o produto, remova o adaptador CA conectado.

Cuidado relativo ao manuseio

- Não descanse seu peso sobre o produto nem coloque objetos pesados sobre ele.

AVISO

Para evitar a possibilidade de mau funcionamento / danos ao produto, danos aos dados ou danos a outras propriedades, siga os avisos abaixo.

Manuseio e manutenção

- Não use o produto próximo a uma TV, rádio ou outros produtos elétricos. Caso contrário, o produto, a TV ou o rádio podem gerar ruído.
- Não use o produto próximo a um forno de micro-ondas. Caso contrário, existe o risco de interferência eletromagnética na comunicação sem fio.
- Instale o produto em um local longe de outros dispositivos eletrônicos. Instalar este produto próximo a outros dispositivos eletrônicos pode prejudicar a qualidade das ondas de rádio recebidas e tornar a comunicação instável.
- Não instale o produto em um local onde os campos magnéticos sejam fortes. Caso contrário, isso pode causar o mau funcionamento do produto.

- Não conecte dispositivos que geram ruído à mesma linha de fonte de alimentação à qual este produto está conectado. Caso contrário, podem ocorrer danos ou mau funcionamento.
- Não exponha o produto a poeira ou vibração excessiva, ou frio ou calor extremos, para evitar a possibilidade de desfiguração, operação instável ou danos aos componentes internos.
- Não instale em locais onde as mudanças de temperatura são severas. Caso contrário, poderá ocorrer condensação no interior ou na superfície do produto, causando a sua ruptura.
- Se houver motivos para acreditar que possa ter ocorrido condensação, deixe o produto por várias horas sem ligar a energia até que a condensação seque completamente, a fim de evitar possíveis danos.
- Não toque no interior de uma porta com os dedos ou qualquer objeto metálico.
- Não coloque objetos de vinil, plástico ou borracha sobre o produto, pois isso pode causar alteração ou descoloração.
- Ao limpar o produto, use um pano seco e macio. Não use diluentes, solventes, líquidos de limpeza ou panos impregnados com produtos químicos, pois isso pode causar alterações ou descoloração.

Sobre funções / dados fornecidos com o produto

- Advertência: A operação deste produto em um ambiente residencial pode causar interferência de rádio.
- Este produto é compatível com o padrão DECT de 1,9 GHz. Se o produto for usado em um ambiente onde a transmissão digital CS está sendo recebida ou onde o PHS é usado, as ondas de rádio podem interferir umas nas outras, afetando a transmissão e a comunicação.
- Uma pequena quantidade de corrente está fluindo, mesmo quando o microfone não está sendo carregado. Quando não for usar o produto por um longo período, certifique-se de desconectar o cabo de alimentação da tomada CA.
- Consulte o site abaixo para obter os termos de licença do software de código aberto usado neste produto.

EUA e Canadá



<https://uc.yamaha.com/support/>

Outros Países

<https://download.yamaha.com/>

Sobre este manual

- Este manual usa as seguintes palavras de sinalização para as informações importantes:

 ADVERTÊNCIAS	Este conteúdo indica “risco de ferimentos graves ou morte”.
 CUIDADO	Este conteúdo indica “risco de ferimentos”.
AVISO	Indica o conteúdo que você deve observar para impedir que o produto funcione incorretamente, seja danificado ou funcione incorretamente e para evitar a perda de dados.
IMPORTANTE	Indica o conteúdo que você deve conhecer para operar e usar o produto corretamente.
OBSERVAÇÃO	Indica informações relacionadas à operação e uso. Leia isto para sua referência.

- As ilustrações mostradas neste manual são apenas para fins instrucionais.
- A Yamaha efetua melhorias e atualizações de maneira constante no software incluído neste produto. Você pode baixar o software mais recente no site da Yamaha.
- Advertência: É proibida a cópia não autorizada deste documento, seja parcial ou total.

Sobre transferência / descarte

- Se você transferir o produto para terceiros, entregue este manual e os acessórios junto com ele.
- Este produto contém componentes recicláveis. Ao descartar este produto, entre em contato com as autoridades locais apropriadas.

INTRODUÇÃO

Obrigado por adquirir o Yamaha RM-WCH-8 carregador de microfone. Esta unidade é um carregador dedicado para microfones sem fio Yamaha (RM-WOM / RM-WDR / RM-WGL / RM-WGS). Certifique-se de ler este manual antes de usar a unidade.

Itens inclusos

- P16V2.4A-R (adaptador AC) : 1
- Cabo de alimentação : 1 ou 3
- Manual do Proprietário (este documento): 1

OBSERVAÇÃO: O número de cabos de alimentação varia dependendo da região de compra.

Manuais de referência

Para obter detalhes sobre as funções e especificações desta unidade, leia o Manual de Referência do Sistema de Microfone Sem Fio Série RM. Esta publicação está disponível no site da Yamaha.

EUA e Canadá

<https://uc.yamaha.com/support/>

Outros Países

<https://download.yamaha.com/>

Antes de usar

Esta unidade não possui um botão liga / desliga. Para sua segurança, siga as etapas abaixo para inicializar a unidade.

1. Conecte o adaptador AC e o cabo de alimentação.

Se três cabos de alimentação estiverem incluídos, selecione aquele com o plugue de alimentação correspondente à tomada em uso.

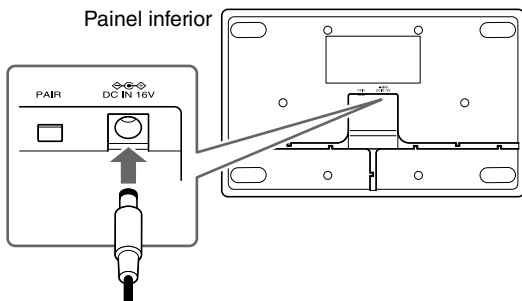


ADVERTENCIA : Use apenas o adaptador / cabo de alimentação fornecido. Usar o adaptador / cabo de alimentação incorreto pode resultar em danos ao produto ou superaquecimento.

: Não use o adaptador / cabo de alimentação fornecido com outros dispositivos.

Caso contrário, podem ocorrer incêndios, queimaduras ou danos ao produto.

2. Conecte o adaptador AC a esta unidade.

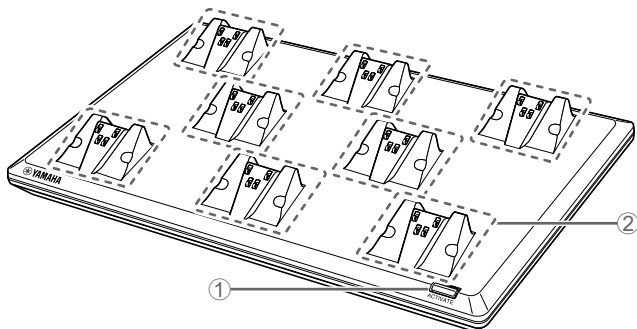


3. Insira o plugue de alimentação na tomada elétrica.

Esta unidade é inicializada.

CONTROLES E FUNÇÕES

Painel superior

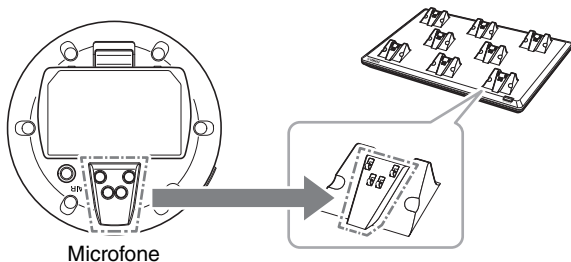


① Botão / indicador **ACTIVATE**

Use para emparelhar o ponto de acesso com os microfones colocados nos suportes. Para obter detalhes, consulte o Manual de Referência.

② Porta-microfones

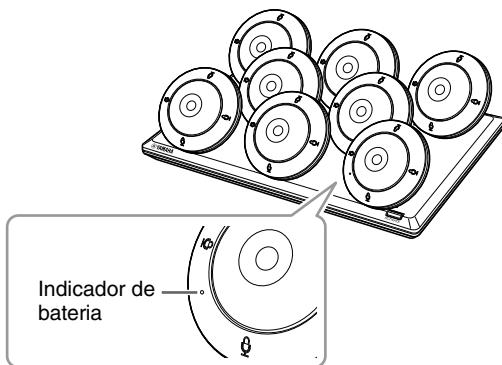
Pressione os orifícios na parte inferior do microfone contra as guias no suporte para prender magneticamente o microfone e começar a carregá-lo.



Microfone

OBSERVAÇÃO: Até oito microfones podem ser carregados ao mesmo tempo.

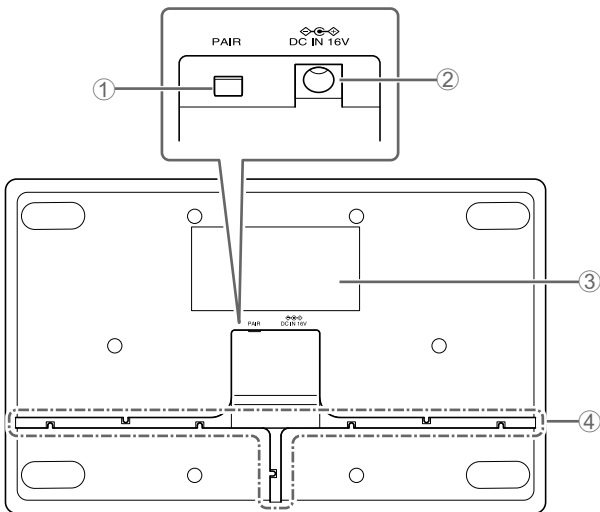
: O status de carga (tempo de operação restante) é indicado pelo indicador de bateria no microfone.



Indicador	Tempo operacional restante
Vermelho aceso	Menos de 3 horas
Laranja aceso	3 horas a menos de 15 horas
Verde aceso	15 horas ou mais

Quando o carregamento terminar, o indicador apaga-se.

Painel inferior



① Botão PAIR

Use para emparelhar esta unidade com o ponto de acesso. Para obter detalhes, consulte o Manual de Referência.

② Conector do adaptador AC

Conecte o adaptador AC incluído.

③ Rótulo do produto


Fornece informações sobre esta unidade e marcas de conformidade com vários padrões.

④ Slots de cabo

Use para rotear o cabo DC do adaptador AC.

PRINCIPAIS ESPECIFICAÇÕES

Especificações Gerais

Dimensões	L 304,0 mm × P 188,0 mm × A 41,5 mm	
Peso	800 g	
Requisito de energia	P16V2.4A-R (adaptador AC) Saída: 16,0 V DC, 2,4 A 	
Consumo máximo de energia	16 V, 2,0 A	
Em operação	Temperatura	0 °C – 40 °C
	Umidade	20% – 85% (sem condensação)
Armazenamento	Temperatura	-20 °C – 60 °C
	Umidade	10% – 90% (sem condensação)
Indicador	Ativar	
Acessórios	<ul style="list-style-type: none">• P16V2.4A-R (adaptador AC) : 1• Cabo de alimentação : 1 ou 3• Manual do Proprietário (este documento) : 1	

Especificações sem fio

Padrão suportado	Padrão DECT de 1,9 GHz
Frequência de rádio	<ul style="list-style-type: none">• EUA / Canadá: 1920,0 MHz – 1930,0 MHz• Europa / Norte da Europa / Reino Unido / Austrália / Nova Zelândia: 1880,0 MHz – 1900,0 MHz• Japão: 1893,5 MHz – 1906,1 MHz
Potência máxima de saída (EIRP)	<ul style="list-style-type: none">• EUA / Canadá: 23,5 dBm• Europa / Norte da Europa / Reino Unido / Austrália / Nova Zelândia / Japão: 26,5 dBm
Antena (embutida)	Suporta diversidade de espaço
Uso	Controle entre ponto de acesso e carregador
Distância máxima de cobertura	50 m (depende do ambiente de uso)
Método de criptografia	AES (256 bits)

O conteúdo deste manual se aplica às especificações mais recentes a partir da data de publicação. Para obter o manual mais recente, acesse o site da Yamaha e faça o download do arquivo do manual.

Informações para os utilizadores relativas à recolha e eliminação de equipamentos usados



Este símbolo, presente em produtos, embalagens e/ou incluído na documentação associada, indica que os produtos elétricos e eletrônicos usados não devem ser eliminados juntamente com os resíduos domésticos em geral.

O procedimento correto consiste no tratamento, recuperação e reciclagem de produtos usados, pelo que deve proceder à respetiva entrega nos pontos de recolha adequados, em conformidade com a legislação nacional em vigor.

A eliminação destes produtos de forma adequada permite poupar recursos valiosos e evitar potenciais efeitos prejudiciais para a saúde pública e para o ambiente, associados ao processamento incorreto dos resíduos.

Para mais informações relativas à recolha e reciclagem de produtos usados, contacte as autoridades locais, o serviço de eliminação de resíduos ou o ponto de venda onde foram adquiridos os itens relevantes.

Informações para utilizadores empresariais na União Europeia:

Para proceder à eliminação de equipamento elétrico e eletrónico, contacte o seu revendedor ou fornecedor para obter informações adicionais.

Informações relativas à eliminação em países não pertencentes à União Europeia:

Este símbolo é válido exclusivamente na União Europeia. Caso pretenda eliminar este tipo de itens, contacte as autoridades locais ou o seu revendedor e informe-se acerca do procedimento correto para proceder à respetiva eliminação.

INDICE

PRECAUZIONI	89
AVVISO	92
INFORMAZIONI	94
INTRODUZIONE	96
Elementi inclusi	96
Manuali di riferimento	96
Prima dell'uso	97
CONTROLLI E FUNZIONI	98
Pannello superiore	98
Pannello inferiore	100
SPECIFICHE PRINCIPALI	101

Il numero di modello e quello di serie, i requisiti di alimentazione e altre informazioni del prodotto si trovano sulla piastrina o vicino alla stessa. La piastrina del prodotto si trova nella parte inferiore dell'unità. Annotare il numero di serie nello spazio indicato di seguito e conservare il manuale come documento di comprovazione dell'acquisto; in tal modo, in caso di furto, l'identificazione sarà più semplice.

Numero del modello

Numero di serie

PRECAUZIONI

LEGGERE ATTENTAMENTE PRIMA DI PROCEDERE

Conservare il presente manuale in un luogo sicuro per consultazioni future.

Yamaha declina qualsiasi responsabilità per lesioni personali o danni derivanti da un utilizzo non corretto o dalle modifiche apportate al prodotto, o dati persi o distrutti.



AVVERTENZA

Osservare sempre le seguenti precauzioni di base per evitare la possibilità di lesioni gravi o perfino morte per scossa elettrica, cortocircuito, danni, incendio o altri per altri pericoli. Queste precauzioni includono, a titolo esemplificativo ma non esaustivo:

Anomalie

- Se si verifica uno dei seguenti problemi, scollegare immediatamente la spina dalla presa elettrica.
 - Il cavo o la spina di alimentazione ha subito danni o logorio.
 - Fumo od odori insoliti.
 - Nel prodotto è penetrata acqua o qualche oggetto.
 - Appaiono crepe o altri danni visibili appaiono sul prodotto.Fare quindi ispezionare o riparare il prodotto da personale di assistenza Yamaha qualificato.

Alimentazione

- Non danneggiare il cavo di alimentazione. La mancata osservanza di tale precauzione può causare incendi, scosse elettriche o danni al prodotto.
 - Non appoggiare oggetti pesanti sul cavo.
 - Non modificare il cavo in alcun modo.
 - Non esercitare forza eccessiva sul cavo.
 - Assicurarci di tenere il cavo lontano da fonti di calore.

- Utilizzare solo la tensione corretta specificata per il prodotto. La tensione richiesta è stampata sulla piastra del nome sul prodotto.
- Utilizzare solo l'adattatore o il cavo di alimentazione specificato. L'uso di adattatori errati può causare danni al prodotto o surriscaldamento.
- Non utilizzare l'adattatore o il cavo di alimentazione fornito con altri dispositivi. In caso contrario, si possono verificare incendi, ustioni o danni al prodotto.
- Controllare periodicamente la spina elettrica ed eventualmente rimuovere la sporcizia o la polvere accumulata.
- Per evitare scosse elettriche o incendi, assicurarsi di inserire la spina elettrica fino in fondo.
- Durante l'installazione del prodotto, assicurarsi che la presa CA utilizzata sia facilmente accessibile. In caso di problemi o malfunzionamenti, è necessario poter facilmente scollegare la spina dalla presa. A meno che il cavo di alimentazione non sia scollegato dalla presa CA, l'unità non si disconnette dalla sorgente di alimentazione.
- Scollegare la spina dalla presa quando non si usa il prodotto per un periodo di tempo prolungato.
- Non toccare il prodotto o la spina durante un temporale.

Non aprire

- Questo prodotto non contiene parti manutenibili dall'utente. Non tentare di smontare o modificare le parti interne in alcun modo.

Esposizione all'acqua

- Non esporre il prodotto alla pioggia, non usarlo vicino all'acqua o in ambienti umidi o bagnati, non poggiarvi sopra contenitori (ad esempio, tazze, bicchieri o bottiglie) di liquidi che possano riversarsi in una delle aperture, né posizionarlo in luoghi soggetti a infiltrazioni.
- Non inserire o rimuovere la spina elettrica con le mani bagnate.

Esposizione al fuoco

- Non posizionare oggetti accesi o fiamme vive in prossimità del prodotto per evitare il rischio di incendio.

Unità wireless

- Non usare nelle vicinanze di dispositivi medici o all'interno di strutture mediche. Le onde radio emesse dal prodotto possono interferire con i dispositivi elettromedicali.
- Non usare questo prodotto a meno di 15 cm da persone dotate di pacemaker cardiaco o defibrillatore. Le onde radio emesse dal prodotto possono interferire con dispositivi elettromedicali quali pacemaker o defibrillatore.

Manutenzione

- Prima di pulire l'unità, rimuovere la spina elettrica dalla presa CA.

Ricarica

- Caricare entro l'intervallo di temperatura specificato. In caso contrario, si possono verificare perdite, esplosioni, incendi o danni.



ATTENZIONE

Osservare sempre le seguenti precauzioni di base per evitare la possibilità di lesioni. Queste precauzioni includono, a titolo esemplificativo ma non esaustivo:

Alimentazione

- Non coprire o avvolgere l'adattatore CA con panni o coperte.
- Quando si estrae la spina elettrica dall'unità o da una presa, afferrare sempre direttamente la spina e non il cavo. Tirando il cavo, questo potrebbe danneggiarsi.

Posizione e connessione

- Non collocare l'unità in posizione instabile o in un luogo soggetto a vibrazioni eccessive, per evitare che cada accidentalmente e che possa causare lesioni.
- Tenere il prodotto lontano dalla portata dei bambini. Questo prodotto non è adatto all'uso in luoghi con presenza di bambini.
- Non posizionare il prodotto in posizioni in cui potrebbe venire a contatto con gas corrosivi o salsedine. La mancata osservanza di tale precauzione potrebbe causare un malfunzionamento.
- Prima di spostare il prodotto, scollegare l'adattatore CA.

Precauzioni di utilizzo

- Non appoggiare il proprio peso sul prodotto o poggiarvi sopra oggetti pesanti.

AVVISO

Osservare i seguenti avvisi per evitare la possibilità di malfunzionamenti/danni al prodotto, ai dati o ad altri oggetti.

Manipolazione e manutenzione

- Non utilizzare il prodotto in prossimità di TV, radio o altri prodotti elettrici per evitare che questi possano produrre rumore.
- Non installare il prodotto in prossimità di forni a micro-onde poiché sussiste il rischio di interferenze elettromagnetiche con la comunicazione wireless.
- Installare il prodotto in luoghi lontani da dispositivi elettronici. In caso contrario, la qualità delle onde radio ricevute potrebbe soffrirne e la comunicazione potrebbe divenire instabile.
- Non installare il prodotto in luoghi soggetti a forti campi magnetici, per evitare malfunzionamenti del prodotto.
- Non collegare dispositivi che producono rumore alla stessa linea di alimentazione a cui è collegato il prodotto. Altrimenti, si potrebbero verificare danni o malfunzionamenti.
- Non esporre il prodotto a livelli eccessivi di polvere o vibrazioni, o a caldo o freddo eccessivi, onde prevenire la possibilità di danni estetici, rendere instabile il funzionamento o danneggiare i componenti interni.
- Non installare in luoghi soggetti a notevoli sbalzi di temperatura per evitare che si formi condensa all'interno della superficie del prodotto danneggiandolo.
- Se si ritiene vi sia condensa, lasciare il prodotto spento per diverse ore fino a che la condensa non si sia completamente asciugata, in modo da prevenire possibili danni.
- Non toccare l'interno di una porta con le dita od oggetti metallici.

- Non collocare sul prodotto oggetti in vinile, plastica o gomma per evitare alterazioni o scolorimenti.
- Pulire il prodotto con un panno morbido e asciutto. Non utilizzare diluenti, solventi, detergenti liquidi o panni impregnati di sostanze chimiche poiché potrebbero causare alterazioni o scolorimenti.

INFORMAZIONI

Funzioni e dati inclusi nel prodotto

- Avvertenza: L'utilizzo del prodotto in ambienti domestici potrebbe causare interferenze radio.
- Il prodotto è compatibile con lo standard DECT 1,9 GHz. Se si usa il prodotto in ambienti di ricezione di segnali digitali satellitari o telefonia cellulare, le onde radio potrebbero interferire a vicenda con conseguenze sulla trasmissione e la comunicazione.
- Anche quando il microfono non è in carica, una quantità minima di corrente continua a fluire nel prodotto. Se non si utilizza il prodotto per un periodo di tempo prolungato, assicurarsi di scollegare il cavo di alimentazione dalla presa CA.
- Consultare il seguente sito web per i termini di licenza del software open source utilizzato nel prodotto.

U.S.A e Canada



<https://uc.yamaha.com/support/>

Altri Paesi

<https://download.yamaha.com/>

Informazioni sul manuale

- Il presente manuale utilizza i seguenti termini per le informazioni importanti:

 AVVERTENZA	Questo contenuto indica “rischio di lesioni gravi o di morte”.
 ATTENZIONE	Questo contenuto indica “rischio di lesioni”.
AVVISO	Indica contenuto da osservare per evitare il guasto del prodotto, danni o malfunzionamento e perdita di dati.
IMPORTANTE	Indica contenuto da conoscere per poter utilizzare il prodotto correttamente.
NOTA	Indica informazioni relative al funzionamento e all'uso. Leggere per consultazione.

- Le illustrazioni in questo manuale vengono fornite esclusivamente a scopo descrittivo.
- Yamaha apporta continui miglioramenti e aggiornamenti al software incluso con il prodotto. È possibile scaricare la versione più recente del software dal sito web Yamaha.
- Avvertenza: è vietata la copia non autorizzata anche parziale del presente documento.

Trasferimento/smaltimento

- In caso di trasferimento del prodotto a terzi, trasferire anche il presente manuale e gli accessori.
- Questo prodotto contiene componenti riciclabili. Per lo smaltimento del prodotto, rivolgersi alle autorità locali competenti.

INTRODUZIONE

Grazie per aver acquistato il caricabatteria per il microfono wireless Yamaha RM-WCH-8. Questa unità è un caricabatteria dedicato per microfoni wireless Yamaha (RM-WOM/RM-WDR/RM-WGL/RM-WGS). Assicurarsi di leggere il manuale prima di utilizzare l'unità.

Elementi inclusi

- P16V2.4A-R (adattatore CA) :1
- Cavo di alimentazione :1 o 3
- Manuale di istruzioni (questo documento) :1

NOTA : Il numero di cavi di alimentazione varia a seconda della regione di acquisto.

Manuali di riferimento

Per dettagli sulle funzioni e le specifiche, leggere il manuale di riferimento per il sistema di microfoni wireless della serie RM. Questa pubblicazione è disponibile sul sito web Yamaha.

U.S.A e Canada

<https://uc.yamaha.com/support/>

Altri Paesi

<https://download.yamaha.com/>

Prima dell'uso

L'unità non dispone di un pulsante di alimentazione. Per ragioni di sicurezza, avviare l'unità osservando la seguente procedura.

1. Collegare l'adattatore CA e il cavo di alimentazione.

Se l'unità è fornita con tre cavi di alimentazione, scegliere quello con la spina adatta alla presa da utilizzare.

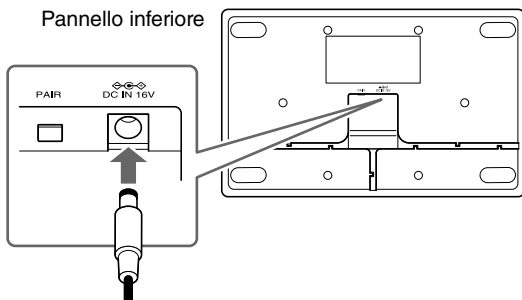


AVVERTENZA : Utilizzare solo l'adattatore e il cavo di alimentazione forniti. L'uso di adattatori/cavi di alimentazione errati può causare danni al prodotto o surriscaldamento.

: Non utilizzare l'adattatore o il cavo di alimentazione fornito con altri dispositivi.

In caso contrario, si possono verificare incendi, ustioni o danni al prodotto.

2. Collegare l'adattatore CA all'unità.

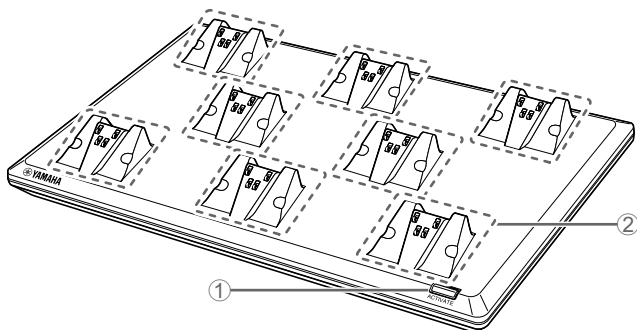


3. Inserire la spina di alimentazione nella presa elettrica.

L'unità si avvia.

CONTROLLI E FUNZIONI

Pannello superiore

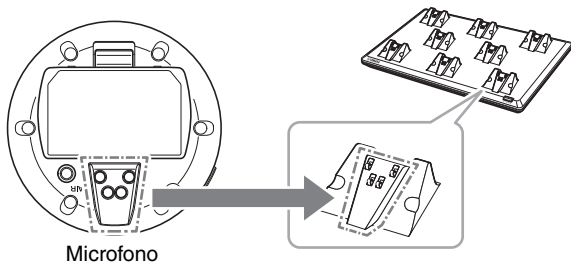


① Pulsante/indicatore **ACTIVATE**

Usare per accoppiare il punto d'accesso con i microfoni collocati nei supporti. Per ulteriori informazioni, consultare il Manuale di riferimento.

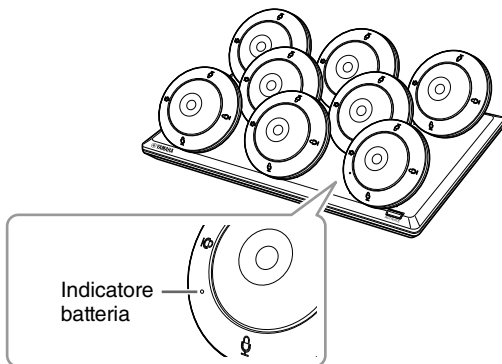
② Supporti per i microfoni

Premere i fori sul fondo dei microfoni contro le linguette sul supporto in modo da fissare magneticamente il microfono e avviarne la carica.



NOTA : Si possono caricare contemporaneamente fino a otto microfoni.

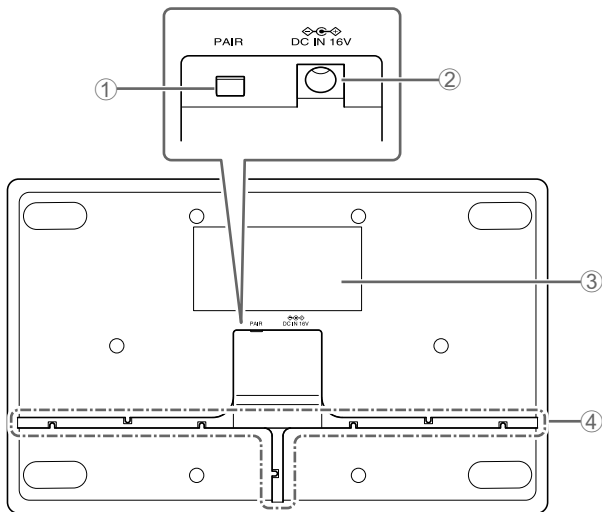
: Lo stato di carica (tempo di funzionamento residuo) è indicato dall'indicatore Battery sul microfono.



Indicatore	Tempo di funzionamento residuo
Acceso in rosso	Meno di 3 ore
Acceso in arancione	Da 3 ore a meno di 15 ore
Acceso in verde	Almeno 15 ore

Terminata la carica, l'indicatore si spegne.

Pannello inferiore



① Pulsante PAIR

Utilizzare per accoppiare l'unità al punto d'accesso.

Per ulteriori informazioni, consultare il Manuale di riferimento.

② Presa adattatore CA

Collegare l'adattatore CA incluso.

③ Etichetta prodotto


Fornisce informazioni sull'unità e i marchi di conformità ai vari standard.

④ Fessure per i cavi

Usare per far passare il cavo CC dell'adattatore CA.

SPECIFICHE PRINCIPALI

Specifiche generali

Dimensioni	L 304,0 mm × P 188,0 mm × A 41,5 mm	
Peso	800 g	
Requisiti di alimentazione	P16V2.4A-R (adattatore CA) Uscita: 16,0 V CC, 2,4 A 	
Consumo massimo	16 V, 2,0 A	
In uso	Temperatura	0 °C – 40 °C
	Umidità	20% – 85% (senza condensa)
Conservazione	Temperatura	-20 °C – 60 °C
	Umidità	10% – 90% (senza condensa)
Indicatore	Attivate	
Accessori	<ul style="list-style-type: none">• P16V2.4A-R (adattatore CA) :1• Cavo di alimentazione :1 o 3• Manuale di istruzioni (questo documento) :1	

Specifiche wireless

Standard supportato	DECT 1,9 GHz
Frequenza radio	<ul style="list-style-type: none">• USA/Canada: 1920,0 MHz – 1930,0 MHz• Europa/Europa settentrionale/Regno Unito/Australia/Nuova Zelanda: 1880,0 MHz – 1900,0 MHz• Giappone: 1893,5 MHz – 1906,1 MHz
Potenza di uscita massima (EIRP)	<ul style="list-style-type: none">• USA/Canada: 23,5 dBm• Europa/Europa settentrionale/Regno Unito/Australia/Nuova Zelanda/Giappone: 26,5 dBm
Antenna (incorporata)	Supporta la diversità spaziale
Uso	Controllo tra il punto di accesso e il caricabatteria
Massima distanza di copertura	50 m (a seconda dell'ambiente d'uso)
Metodo di cifratura	AES (256 bit)

Il contenuto del presente manuale si applica alle ultime specifiche tecniche a partire dalla data di pubblicazione. Per ottenere la versione più recente del manuale, accedere al sito Web Yamaha e scaricare il file corrispondente.

Informazioni per gli utenti sulla raccolta e lo smaltimento di vecchia attrezzatura



Questi simboli sui prodotti, sull'imballaggio e/o sui documenti che li accompagnano, indicano che i prodotti elettrici ed elettronici non devono essere mischiati con i rifiuti generici.

Per il trattamento, il recupero e il riciclaggio appropriato di vecchi prodotti, si prega di portarli ai punti di raccolta designati, in accordo con la legislazione locale.

Smaltendo correttamente questi prodotti si potranno recuperare risorse preziose, oltre a prevenire potenziali effetti negativi sulla salute e l'ambiente che potrebbero sorgere a causa del trattamento improprio dei rifiuti.

Per ulteriori informazioni sulla raccolta e il riciclaggio di vecchi prodotti, si prega di contattare l'amministrazione comunale locale, il servizio di smaltimento dei rifiuti o il punto vendita dove sono stati acquistati gli articoli.

Per utenti imprenditori dell'Unione europea:

Se si desidera scartare attrezzatura elettrica ed elettronica, si prega di contattare il proprio rivenditore o il proprio fornitore per ulteriori informazioni.

Informazioni sullo smaltimento negli altri Paesi al di fuori dell'Unione europea:

Questi simboli sono validi solamente nell'Unione Europea; se si desidera scartare questi articoli, si prega di contattare le autorità locali o il rivenditore e richiedere informazioni sulla corretta modalità di smaltimento..

目次

安全上のご注意.....	105
使用上のご注意.....	112
お知らせ	114
はじめに	116
付属品.....	116
リファレンスマニュアルのご案内	116
ご使用の前に	117
各部の名称と機能.....	118
天面.....	118
底面.....	120
主な仕様	121
アフターサービス.....	123
保証書	125

機種名（品番）、製造番号（シリアルナンバー）、電源条件などの情報は、製品の底面にある銘板または銘板付近に表示されています。製品を紛失した場合などでもご自身のものを特定していただけるよう、機種名と製造番号については以下の欄にご記入の上、大切に保管していただくことをおすすめします。

機種名

製造番号

安全上のご注意

ご使用の前に、必ずよくお読みください。




必ずお守りください

ここに示した注意事項は、製品を安全に正しくご使用いただき、お客様や他の方々への危害や財産への損害を未然に防止するためのものです。お読みになったあとは、本製品を使用される方がいつでも見られるところに必ず保管してください。

データが破損したり失われた場合の補償や、不適切な使用や改造により故障した場合の補償はいたしかねますので、ご了承ください。

記号表示について

本製品や取扱説明書に表示されている記号には、次のような意味があります。

注意喚起を示す記号	禁止を示す記号	行為を指示する記号
		



警告

「死亡する可能性または重傷を負う可能性が想定される」内容です。

異常に気づいたら



必ず実行

下記のような異常が発生した場合、すぐに電源プラグをコンセントから抜く。

- 電源コード / プラグが破損した場合
- 製品から異常なおいや煙が出た場合
- 製品の内部に水や異物が入った場合
- 製品に亀裂、破損がある場合

そのまま使用を続けると、感電や火災、または故障のおそれがあります。至急、お買い上げの販売店またはヤマハ修理ご相談センターに点検や修理をご依頼ください。

電源



禁止

電源コードが破損するようなことをしない。

- ストープなどの熱器具に近づけない
- 無理に曲げない
- 傷つけない
- 電源コードに重いものをのせない

感電や火災の原因になります。



必ず実行

電源は本製品に表示している電源電圧で使用する。

誤って接続すると、感電や火災のおそれがあります。



必ず実行

ACアダプター／電源コードは、必ず付属のものを使用する。

故障、発熱、火災などの原因になります。

付属の電源コードは日本国内専用(125Vまで)です。



禁止

付属のACアダプター／電源コードを他の製品に使用しない。

故障、発熱、火災などの原因になります。



必ず実行

電源プラグのほこりをきれいに拭き取る。

感電やショートのおそれがあります。

必要に応じて、定期的にはこりを拭き取ってください。



必ず実行

電源プラグは根元まで確実に差し込む。

火災やショートのおそれがあります。



必ず実行

本製品をコンセントの近くに設置する。

電源プラグに容易に手の届く位置に設置し、異常を感じた場合

にはすぐに電源プラグをコンセントから抜いてください。

また、電源プラグをコンセントから抜かないかぎり電源から完全に遮断されません。電源プラグに容易に手が届き、操作できるように設置してご使用ください。



必ず実行

長時間使用しないときは、必ずコンセントから電源プラグを抜く。

火災や故障の原因になります。



禁止

雷が鳴りだしたときは、本製品や電源プラグに触らない。

感電の原因になります。

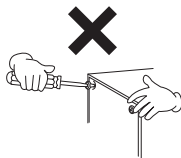
分解禁止



禁止

本製品を分解したり改造したりしない。

感電や火災、けが、または故障の原因になります。本製品の内部には、お客様がご自身で修理/交換できる部品はありません。



水に注意



禁止

- 本製品の上に花瓶や薬品など液体の入ったものを置かない。
- 浴室や雨天時の屋外など湿気の多いところで使用しない。

内部に水などの液体が入ると、感電や火災、または故障の原因になります。



禁止

ぬれた手で電源プラグを抜き差ししない。

感電のおそれがあります。

火に注意



禁止

本製品の近くで、火気を使用しない。

火災の原因になります。

ワイヤレス機器



禁止

• 医療機器の近くなど、電波の使用が制限された区域で使用しない。

• 心臓ペースメーカーや除細動器の装着部分から15 cm以内で使用しない。

本製品が発生する電波が動作に影響を与えるおそれがあります。

お手入れ



必ず実行

本製品をお手入れするときは、必ずコンセントから電源プラグを抜く。

感電の原因になることがあります。

充電



必ず実行

指定された充電温度内で充電する。

範囲外の温度での充電は、液漏れ、破裂、火災、故障の原因になります。



注意 「傷害を負う可能性が想定される」内容です。

電源



禁止

ACアダプターは、布や布団で包んだりしない。

熱がこもって発熱し、やけどや火災の原因になることがあります。



必ず実行

電源プラグを抜くときは、電源コードを持たずに、必ず電源プラグを持って引き抜く。

電源コードが破損して、感電や火災の原因になることがあります。

設置と接続



禁止

不安定な場所や振動の多い場所に置かない。

本製品が落下して故障したり、けがをしたりする原因になります。



禁止

本製品を子供の手の届くところに置かない。

本製品は子供がいる可能性のある場所での使用には適していません。



禁止

塩害や腐食性ガスが発生する場所に設置しない。

故障の原因になります。



必ず実行

本製品を移動するときは、必ずACアダプターを外した上で行う。

電源コードをいためたり、お客様や他の方々が転倒したりするおそれがあります。

取り扱い



禁止

本製品の上にとったり重いものをのせたりしない。

本製品が破損したり、けがをしたりする原因になります。

使用上のご注意

製品の故障、損傷や誤動作、データの損失を防ぐため、以下の内容をお守りください。

製品の取り扱い／お手入れに関するご注意

- テレビやラジオなど、他の電気製品の近くで使用しない。
本製品、または他の電気製品に雑音が生じる原因になります。
- 電子レンジの近くで本製品を使用しない。
無線通信への電磁妨害が発生するおそれがあります。
- 本製品は、他の電子機器などから離れた場所に設置する。
他の電子機器の近くに設置した場合、受信電波品質が低下し通信が不安定になる可能性があります。
- 本製品を磁力の強い場所に設置しない。
動作不良の原因になります。
- 本製品を接続している電源ラインにノイズを発生する機器を接続しない。
故障や動作不良の原因になります。
- 極端に温度の高いところや低いところ、ほこりや振動の多いところで使用しない。
本製品が変形したり、内部の部品が故障したり、動作が不安定になったりする原因になります。
- 温度変化が激しい場所に設置しない。
製品内部や表面に結露が発生し、故障したりする原因になります。
- 結露が発生しているおそれがあるときは、しばらく放置してから電源を入れる。
結露した状態で電源が入ると、故障の原因になります。

- 端子内部を指や金属などで触れない。
- 本製品上にビニール製品やプラスチック製品、ゴム製品などを置かない。
変色／変質の原因になります。
- お手入れのときは、乾いた柔らかい布を使用する。ベンジン、シンナー、洗剤、化学ぞうきんなどで製品の表面を拭かない。
変色／変質の原因になります。

お知らせ

製品の機能／データに関するお知らせ



- 本製品は、クラス A 機器です。本製品を住宅環境で使用すると電波妨害を引き起こすことがあります。この場合には使用者が適切な対策を講ずるよう要求されることがあります。(VCCI-A)
- 本製品は 1.9GHz 帯 DECT 準拠方式に対応しています。CS デジタル放送を受信している環境や PHS を使用している環境で使用すると、互いに電波が干渉し、放送や通信に影響が出るおそれがあります。
- マイクロフォンを充電していないときでも微電流が流れています。この状態での消費電力は、最小限の値で設計されています。本製品を長時間使用しないときは、必ず電源プラグをコンセントから抜いてください。
- 本製品で使用しているオープンソースソフトウェアのライセンス条文は下記のウェブサイトにて公開されています。

<https://download.yamaha.com/>

高調波電流規格 JIS C 61000-3-2 適合品

取扱説明書の記載内容に関するお知らせ

- 本書に表示されている記号とその内容は以下のとおりです。

 警告	「死亡する可能性または重傷を負う可能性が想定される」内容です。
 注意	「傷害を負う可能性が想定される」内容です。
ご注意	製品の故障、損傷や誤動作、データの損失を防ぐため、お守りいただく内容です。
重要	製品を正しく操作、運用するために、必ず知っておいていただきたい内容です。
メモ	操作や運用に関連した情報です。参考にお読みください。

- この取扱説明書に掲載されているイラストは、すべて説明のためのものです。
- 弊社では製品のソフトウェアを継続的に改善しています。最新版は、ヤマハウェブサイトからダウンロードできます。
- 本書の記載内容の一部または全部を無断で転載することを禁じます。

製品の譲渡／廃棄に関するお知らせ

- 本製品を譲渡する際は、本書と付属品も合わせて譲渡してください。
- 本製品は、リサイクル可能な部品を含んでいます。廃棄される際には、廃棄する地方自治体にお問い合わせください。

はじめに

このたびは、ヤマハ マイクロフォンチャージャー RM-WCH-8 をお買い求めいただき、まことにありがとうございます。本製品はヤマハ ワイヤレスマイクロフォン (RM-WOM、RM-WDR、RM-WGL、RM-WGS) の専用充電器です。ご使用の前に本書を必ずお読みください。

付属品

- AC アダプター P16V2.4A-R : 1 個
- 電源コード : 1 本
- 取扱説明書 (本書) : 1 冊

リファレンスマニュアルのご案内

本製品の機能や仕様の詳細は RM シリーズワイヤレスマイクロフォンシステム リファレンスマニュアルをお読みください。下記のウェブサイトにて公開されています。

<https://download.yamaha.com/>

ご使用の前に

本製品には電源ボタンがありません。安全のため、下記の手順に沿って起動させてください。

1. AC アダプターと電源コードを接続します。



警告： AC アダプター／電源コードは、必ず付属のものを使用してください。

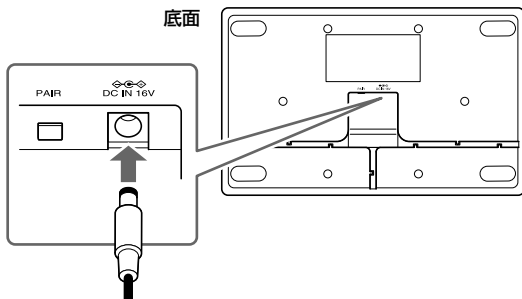
故障、発熱、火災などの原因になります。

付属の電源コードは日本国内専用（125V まで）です。

： 付属の AC アダプター／電源コードを他の製品に使用しないでください。

故障、発熱、火災などの原因になります。

2. 本製品と AC アダプターを接続します。

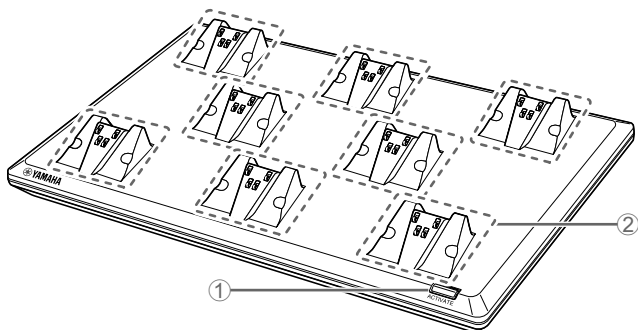


3. コンセントに電源プラグを差し込みます。

本製品が起動します。

各部の名称と機能

天面

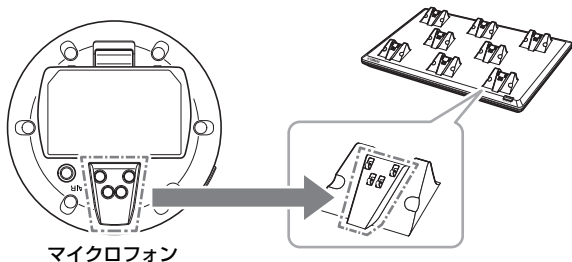


① ACTIVATE ボタン／インジケーター

ホルダーにのせたマイクロフォンとアクセスポイントをペアリングするために使用します。詳細はリファレンスマニュアルをお読みください。

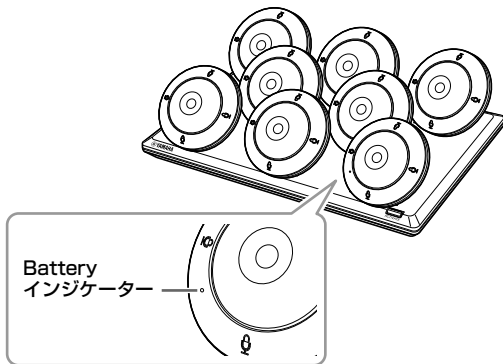
② マイクロフォンホルダー

マイクロフォン底面の凹部分をホルダーの凸部分にあてがうとマイクロフォンがマグネットで固定され、充電が始まります。



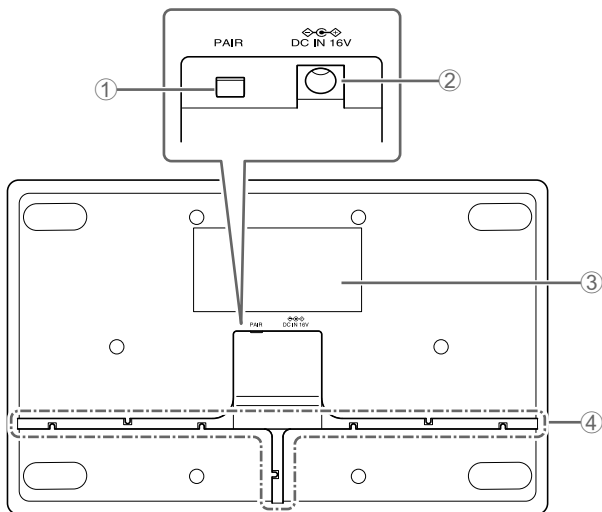
マイクロフォン

- メモ** : 最大 8 つのマイクロフォンを同時に充電できます。
 : 充電の状況（使用可能時間）はマイクロフォンの Battery インジケーターで確認できます。



インジケーター	使用可能時間
赤色に点灯	3 時間未満
橙色に点灯	3 時間以上～ 15 時間未満
緑色に点灯	15 時間以上

充電が完了するとインジケーターは消灯します。



① PAIR ボタン

本製品とアクセスポイントをペアリングするために使用します。
詳細はリファレンスマニュアルをお読みください。

② AC アダプター端子

付属の AC アダプターを接続します。

③ 製品ラベル


本製品の情報や各種基準への適合マークなどを記載しています。

④ 配線用ピット

AC アダプターの DC コードを通すために使用します。

主な仕様

一般仕様

寸法	W 304.0 mm × D 188.0 mm × H 41.5 mm	
質量	800 g	
電源	AC アダプター P16V2.4A-R 出力：DC16.0 V、2.4 A 	
最大消費電力	16 V、2.0 A	
動作環境	温度	0 °C ~ 40 °C
	湿度	20% ~ 85% (結露がないこと)
保管環境	温度	-20 °C ~ 60 °C
	湿度	10% ~ 90% (結露がないこと)
インジケータ	Activate	
付属品	<ul style="list-style-type: none">• AC アダプター P16V2.4A-R : 1 個• 電源コード : 1 本• 取扱説明書 (本書) : 1 冊	

ワイヤレス仕様

対応方式	1.9 GHz 帯 DECT 準拠方式
無線周波数	<ul style="list-style-type: none">• アメリカ、カナダ： 1920.0 MHz ~ 1930.0 MHz• 欧州、北欧、イギリス、オーストラリア、ニュージーランド：1880.0 MHz ~ 1900.0 MHz• 日本：1893.5 MHz ~ 1906.1 MHz
最大出力電力 (EIRP)	<ul style="list-style-type: none">• アメリカ、カナダ：23.5 dBm• 欧州、北欧、イギリス、オーストラリア、ニュージーランド、日本：26.5 dBm
内蔵アンテナ	空間ダイバーシティに対応
用途	アクセスポイントとチャージャー間の制御
最大到達距離	50m (使用環境による)
暗号化方式	AES (256-bit)

本書は、発行時点での最新仕様で説明しています。最新版はヤマハウェブサイトからダウンロードできます。

アフターサービス

お問い合わせ窓口

お問い合わせや修理のご依頼は、お買い上げ店、または次のお問い合わせ窓口までご連絡ください。

●機能や取り扱いに関するお問い合わせ

ヤマハ・プロオーディオ・インフォメーションセンター



0570-050-808

※固定電話は全国市内通話料金でご利用いただけます。通話料金は音声案内で確認できます。

上記番号でつながらない場合は **03-5488-5447**

受付時間 月曜日～金曜日 11:00～17:00 (土曜、日曜、祝日およびセンター指定休日を除く)
オンラインサポート <https://jp.yamaha.com/support/>

●修理に関するお問い合わせ

ヤマハ修理ご相談センター



0570-012-808

※固定電話は全国市内通話料金でご利用いただけます。通話料金は音声案内で確認できます。

上記番号でつながらない場合は **053-460-4830**

FAX 03-5762-2125 東日本 (北海道 / 東北 / 関東 / 甲信越 / 東海)
06-6649-9340 西日本 (北陸 / 近畿 / 四国 / 中国 / 九州 / 沖縄)

修理品お持込み窓口

東日本サービスセンター

〒143-0006 東京都大田区平和島2丁目1-1 京浜トラックターミナル内14号棟A-5F

FAX 03-5762-2125

西日本サービスセンター

〒556-0011 大阪府大阪市浪速区難波中1丁目13-17 ナンバ辻本ビル7F

FAX 06-6649-9340

受付時間

月曜日～金曜日 10:00～17:00 (土曜、日曜、祝日およびセンター指定休日を除く)

●販売元

(株)ヤマハミュージックジャパン PA 営業部

〒103-0015 東京都中央区日本橋箱崎町41-12 KDX 箱崎ビル

* 名称、住所、電話番号、営業時間、URL などに変更になる場合があります。

保証と修理について

保証と修理についての詳細は下記のとおりです。

●保証書

本書に保証書が掲載されています。購入を証明する書類(レシート、売買契約書、納品書など)とあわせて、大切に保管してください。

●保証期間と期間中の修理

保証書をご覧ください。保証書記載内容に基づいて修理させていただきます。お客様に製品を持ち込んでいただくか、サービスマンが出張修理にお伺いするのは、製品ごとに定められています。

●保証期間経過後の修理

ご要望により有料にて修理させていただきます。

●補修用性能部品の最低保有期間

製品の機能を維持するために必要な部品の最低保有期間は、製造終了後 5 年です。

●修理のご依頼

本書をもう一度お読みいただき、接続や設定などをご確認のうえ、お買い上げの販売店またはヤマハ修理ご相談センターまでご連絡ください。修理をご依頼いただくときは、製品名、モデル名などとあわせて、製品の状態をできるだけ詳しくお知らせください。

●損害に対する責任

本製品（搭載プログラムを含む）のご使用により、お客様に生じた損害（事業利益の損失、事業の中断、事業情報の損失、そのほかの特別損失や逸失利益）については、当社は一切その責任を負わないものとします。また、いかなる場合でも、当社が負担する損害賠償額は、お客様がお支払いになったこの商品の代価相当額をもって、その上限とします。

保 証 書

持込修理

※品名			
※品番			
※シリアル番号			
保証期間	本体	お買上げの日から1ケ年間	
※お買上げ日	年	月	日
お客様	□□□-□□□□		
	ご住所		
	お名前		様
	電話	()	

ご購入店様へ ※印欄は必ずご記入ください。

本書は、本書記載内容で無償修理を行う事をお約束するものです。
お買上げの日から左記期間中に故障が発生した場合は、本書をご提示の上お買上げの販売店に修理をご依頼ください。
ご購入の際は、購入を証明する書類（レシート、売買契約書、納品書など）をあわせてご提示ください。

（詳細は下項をご覧ください）

※販売店	店名		印
	所在地		
	電話	()	

株式会社ヤマハミュージックジャパン PA営業部
〒103-0015
東京都中央区日本橋箱崎町41番12号 KDX箱崎ビル
TEL. 03-5652-3850

保証規定

1. 保証期間中、正常な使用状態（取扱説明書、本体貼付ラベルなどの注意書に従った使用状態）で故障した場合には、無償修理を致します。
 2. 保証期間内に故障して無償修理をお受けになる場合は、商品と本書をご持参ご提示のうえ、お買上げ販売店にご依頼ください。
 3. ご贈答品、ご転居後の修理についてお買上げの販売店にご依頼できない場合には、※ヤマハ修理ご相談センターにお問合わせください。
 4. 保証期間内でも次の場合は有料となります。
 - (1) 本書のご提示がない場合。
 - (2) 本書にお買上げの年月日、お客様、お買上げの販売店の記入がない場合、及び本書の字句を書き替えられた場合。
 - (3) 使用上の誤り、他の機器から受けた障害または不当な修理や改造による故障及び損傷。
 - (4) お買上げ後の移動、輸送、落下などによる故障及び損傷。
 - (5) 火災、地震、風水害、落雷、その他の天災地変、公害、塩害、異常電圧などによる故障及び損傷。
 - (6) お客様のご要望により出張修理を行なう場合の出張料金。
 5. この保証書は日本国内においてのみ有効です。
This warranty is valid only in Japan.
 6. この保証書は再発行致しかねますので大切に保管してください。
- * この保証書は本書に示した期間、条件のもとにおいて無償修理をお約束するものです。したがってこの保証書によってお客様の法律上の権利を制限するものではありませんので、保証期間経過後の修理などについてご不明の場合は、お買上げの販売店、※ヤマハ修理ご相談センターにお問合わせください。
- * ご記入いただきましたお客様のお名前、ご住所などの個人情報、本保証規定に基づく無料修理に関する場合のみ使用致します。取得した個人情報は適切に管理し、法令に定める場合を除き、お客様の同意なく第三者に提供することはありません。
- ※ その他の連絡窓口につきましては、取扱説明書をご参照ください。

For details of products, please contact your nearest Yamaha representative or the authorized distributor listed below.

Pour plus de détails sur les produits, veuillez-vous adresser à Yamaha ou au distributeur le plus proche de vous figurant dans la liste suivante.

Die Einzelheiten zu Produkten sind bei Ihrer unten aufgeführten Niederlassung und bei Yamaha Vertragshändlern in den jeweiligen Bestimmungsländern erhältlich.

Para detalles sobre productos, contacte su tienda Yamaha más cercana o el distribuidor autorizado que se lista debajo.

NORTH AMERICA

Yamaha Unified Communications, Inc. (U.S.A)
144 North Rd, Suite 3250,
Sudbury, MA 01776
United States of America
Tel: +1-800-326-1088

OTHER COUNTRIES

<https://www.yamaha.com/products/en/communication/>

EUROPE

Yamaha Music Europe GmbH
Siemensstrasse 22-34, 25462
Rellingen, Germany
Tel: +49-4101-303-0

RUSSIA

Yamaha Music (Russia) LLC.
Room 37, entrance 7, bld. 7,
Kievskaya street,
Moscow, 121059, Russia
Tel: +7-495-626-5005

Head Office/Manufacturer: Yamaha Corporation

10-1, Nakazawa-cho, Naka-ku, Hamamatsu, 430-8650, Japan

Importer (European Union): Yamaha Music Europe GmbH

Siemensstrasse 22-34, 25462 Rellingen, Germany

Importer (United Kingdom): Yamaha Music Europe GmbH (UK)

Sherbourne Drive, Tilbrook, Milton Keynes, MK7 8BL, United Kingdom

EN**SIMPLIFIED EU DECLARATION OF CONFORMITY /
SIMPLIFIED UK DECLARATION OF CONFORMITY**

Hereby, Yamaha Music Europe GmbH declares that the radio equipment type [RM-WCH-8] is in compliance with Directive 2014/53/EU and the radio equipment regulations of UK. The full texts of the EU declaration of conformity and the UK declaration of conformity are available at the following internet address:

<https://europe.yamaha.com/en/support/compliance/doc.html>

FR**DECLARATION UE DE CONFORMITE SIMPLIFIEE**

Le soussigné, Yamaha Music Europe GmbH, déclare que l'équipement radioélectrique du type [RM-WCH-8] est conforme à la directive 2014/53/UE. Le texte complet de la déclaration UE de conformité est disponible à l'adresse internet suivante:

<https://europe.yamaha.com/en/support/compliance/doc.html>

DE**VEREINFACHTE EU-KONFORMITÄTSERKLÄRUNG**

Hiermit erklärt Yamaha Music Europe GmbH, dass der Funkanlagentyp [RM-WCH-8] der Richtlinie 2014/53/EU entspricht. Der vollständige Text der EU-Konformitätserklärung ist unter der folgenden Internetadresse verfügbar:

<https://europe.yamaha.com/en/support/compliance/doc.html>

SV**FÖRENKLAD EU-FÖRSÄKRAN OM
ÖVERENSSTÄMMELSE**

Härmed försäkrar Yamaha Music Europe GmbH att denna typ av radioutrustning [RM-WCH-8] överensstämmer med direktiv 2014/53/EU. Den fullständiga texten till EU-försäkran om överensstämmelse finns på följande webbadress:

<https://europe.yamaha.com/en/support/compliance/doc.html>

IT**DICHIARAZIONE DI CONFORMITÀ UE SEMPLIFICATA**

Il fabbricante, Yamaha Music Europe GmbH, dichiara che il tipo di apparecchiatura radio [RM-WCH-8] è conforme alla direttiva 2014/53/UE. Il testo completo della dichiarazione di conformità UE è disponibile al seguente indirizzo Internet:

<https://europe.yamaha.com/en/support/compliance/doc.html>

ES**DECLARACIÓN UE DE CONFORMIDAD SIMPLIFICADA**

Por la presente, Yamaha Music Europe GmbH declara que el tipo de equipo radioeléctrico [RM-WCH-8] es conforme con la Directiva 2014/53/UE. El texto completo de la declaración UE de conformidad está disponible en la dirección Internet siguiente:

<https://europe.yamaha.com/en/support/compliance/doc.html>

PT DECLARAÇÃO UE DE CONFORMIDADE SIMPLIFICADA

O(a) abaixo assinado(a) Yamaha Music Europe GmbH declara que o presente tipo de equipamento de rádio [RM-WCH-8] está em conformidade com a Diretiva 2014/53/UE. O texto integral da declaração de conformidade está disponível no seguinte endereço de Internet:
<https://europe.yamaha.com/en/support/compliance/doc.html>

NL VEREENVOUDIGDE EU-CONFORMITEITSVERKLARING

Hierbij verklaar ik, Yamaha Music Europe GmbH, dat het type radioapparatuur [RM-WCH-8] conform is met Richtlijn 2014/53/EU. De volledige tekst van de EU-conformiteitsverklaring kan worden geraadpleegd op het volgende internetadres:
<https://europe.yamaha.com/en/support/compliance/doc.html>

BG ОПРОСТЕНА ЕС ДЕКЛАРАЦИЯ ЗА СЪОТВЕТСТВИЕ

С настоящото Yamaha Music Europe GmbH декларира, че този тип радиосъоръжение [RM-WCH-8] е в съответствие с Директива 2014/53/ЕС. Цялостният текст на ЕС декларацията за съответствие може да се намери на следния интернет адрес:
<https://europe.yamaha.com/en/support/compliance/doc.html>

CS ZJEDNODUŠENÉ EU PROHLÁŠENÍ O SHODĚ

Tímto Yamaha Music Europe GmbH prohlašuje, že typ rádiového zařízení [RM-WCH-8] je v souladu se směrnicí 2014/53/EU. Úplné znění EU prohlášení o shodě je k dispozici na této internetové adrese:
<https://europe.yamaha.com/en/support/compliance/doc.html>

DA FORENKLET EU-OVERENSSTEMMELSESERKLÆRING

Hermed erklærer Yamaha Music Europe GmbH, at radioudstyrstypen [RM-WCH-8] er i overensstemmelse med direktiv 2014/53/EU. EU-overensstemmelseserklæringens fulde tekst kan findes på følgende internetadresse:
<https://europe.yamaha.com/en/support/compliance/doc.html>

ET LIHTSUSTATUD ELI VASTAVUSDEKLARATSIOON

Käesolevaga deklareerib Yamaha Music Europe GmbH, et käesolev raadioseadme tüüp [RM-WCH-8] vastab direktiivi 2014/53/EL nõuetele. ELi vastavusdeklaratsiooni täielik tekst on kättesaadav järgmisel internetiaadressil:
<https://europe.yamaha.com/en/support/compliance/doc.html>

EL ΑΠΛΟΥΣΤΕΥΜΕΝΗ ΔΗΛΩΣΗ ΣΥΜΜΟΡΦΩΣΗΣ ΕΕ

Με την παρούσα ο/η Yamaha Music Europe GmbH, δηλώνει ότι ο ραδιοεξοπλισμός [RM-WCH-8] πληροί την οδηγία 2014/53/ΕΕ. Το πλήρες κείμενο της δήλωσης συμμόρφωσης ΕΕ διατίθεται στην ακόλουθη ιστοσελίδα στο διαδίκτυο:
<https://europe.yamaha.com/en/support/compliance/doc.html>

HR POJEDNOSTAVLJENA EU IZJAVA O SUKLADNOSTI

Yamaha Music Europe GmbH ovime izjavljuje da je radijska oprema tipa [RM-WCH-8] u skladu s Direktivom 2014/53/EU. Cjeloviti tekst EU izjave o sukladnosti dostupan je na sljedećoj internetskoj adresi:
<https://europe.yamaha.com/en/support/compliance/doc.html>

LV VIENKĀRŠOTA ES ATBILSTĪBAS DEKLARĀCIJA

Ar šo Yamaha Music Europe GmbH deklarē, ka radioiekārta [RM-WCH-8] atbilst Direktīvai 2014/53/ES. Pilns ES atbilstības deklarācijas teksts ir pieejams šādā interneta vietnē:
<https://europe.yamaha.com/en/support/compliance/doc.html>

LT SUPAPRASTINTA ES ATITIKTIES DEKLARACIJA

Aš, Yamaha Music Europe GmbH, patvirtinu, kad radijo įrenginių tipas [RM-WCH-8] atitinka Direktyvą 2014/53/ES. Visas ES atitikties deklaracijos tekstas prieinamas šiuo interneto adresu:
<https://europe.yamaha.com/en/support/compliance/doc.html>

HU EGSZERŰSÍTETT EU-MEGFELELŐSÉGI NYILATKOZAT

Yamaha Music Europe GmbH igazolja, hogy a [RM-WCH-8] típusú rádióberendezés megfelel a 2014/53/EU irányelvnek. Az EU-megfelelőségi nyilatkozat teljes szövege elérhető a következő internetes címen:
<https://europe.yamaha.com/en/support/compliance/doc.html>

PL UPROSZCZONA DEKLARACJA ZGODNOŚCI UE

Yamaha Music Europe GmbH niniejszym oświadcza, że typ urządzenia radiowego [RM-WCH-8] jest zgodny z dyrektywą 2014/53/UE. Pełny tekst deklaracji zgodności UE jest dostępny pod następującym adresem internetowym:
<https://europe.yamaha.com/en/support/compliance/doc.html>

RO DECLARAȚIA UE DE CONFORMITATE SIMPLIFICATĂ

Prin prezenta, Yamaha Music Europe GmbH declară că tipul de echipamente radio [RM-WCH-8] este în conformitate cu Directiva 2014/53/UE. Textul integral al declarației UE de conformitate este disponibil la următoarea adresă internet:
<https://europe.yamaha.com/en/support/compliance/doc.html>

SK ZJEDNODUŠENÉ EÚ VYHLÁSENIE O ZHODE

Yamaha Music Europe GmbH týmto vyhlasuje, že rádiové zariadenie typu [RM-WCH-8] je v súlade so smernicou 2014/53/EÚ. Úplné EÚ vyhlásenie o zhode je k dispozícii na tejto internetovej adrese:

<https://europe.yamaha.com/en/support/compliance/doc.html>

SL POENOSTAVLJENA IZJAVA EU O SKLADNOSTI

Yamaha Music Europe GmbH potrjuje, da je tip radijske opreme [RM-WCH-8] skladen z Direktivo 2014/53/EU. Celotno besedilo izjave EU o skladnosti je na voljo na naslednjem spletnem naslovu:

<https://europe.yamaha.com/en/support/compliance/doc.html>

FI YKSINKERTAISTETTU EU-VAATIMUSTENMUKAISUUSVAKUUTUS

Yamaha Music Europe GmbH vakuuttaa, että radiolaitetyyppi [RM-WCH-8] on direktiivin 2014/53/EU mukainen. EU-vaatimustenmukaisuusvakuutuksen täysimittainen teksti on saatavilla seuraavassa internetosoitteessa:

<https://europe.yamaha.com/en/support/compliance/doc.html>

TR BASİTLEŞTİRİLMİŞ AVRUPA BİRLİĞİ UYGUNLUK BİLDİRİMİ

Hİşbu belge ile, Yamaha Music Europe GmbH, radyo cihaz tipinin [RM-WCH-8], Direktif 2014/53/ AB'ye uygunluğunu beyan eder. AB uyumu beyanının tam metni aşağıdaki internet adresinden edinilebilir:

<https://europe.yamaha.com/en/support/compliance/doc.html>

**YAMAHA**

AC ADAPTOR

P16V2.4A-R**Energy Efficiency Information for customers in European Economic Area (EEA), Switzerland and Turkey****Energy Efficiency Information:**

English

AC adaptor P16V2.4A-R / Input voltage : 230 V / Input AC frequency : 50 Hz / Output voltage (DC) : 16.0 V / Output current : 2.4 A / Output power : 38.4 W / Average active efficiency : 89.17% / Efficiency at low load : 88.13% / No-load power consumption : 0.0552 W

Informationen zur Energieeffizienz:

Deutsch

Netzadapter P16V2.4A-R / Eingangsspannung: 230 V / Netzfrequenz: 50 Hz / Ausgangsspannung (U₌): 16,0 V / Ausgangsstrom: 2,4 A / Ausgangsleistung: 38,4 W / Durchschnittliche Effizienz (aktiv): 89,17% / Effizienz bei niedriger Last: 88,13% / Stromverbrauch ohne Last: 0,0552 W

Informations concernant l'efficacité énergétique :

Français

Adaptateur secteur P16V2.4A-R / Tension d'entrée : 230 V / Fréquence d'entrée : 50 Hz / Tension de sortie (CC) : 16,0 V / Courant de sortie : 2,4 A / Puissance de sortie : 38,4 W / Efficacité moyenne en mode actif : 89,17% / Efficacité à faible charge : 88,13% / Consommation électrique sans charge : 0,0552 W

Informatie over energie-efficiëntie:

Nederlands

Netadapter P16V2.4A-R / Ingangsspanning: 230 V / Ingangsfrequentie: 50 Hz / Uitgangsspanning (DC): 16,0 V / Uitgangsstrom: 2,4 A / Uitgangsvermogen: 38,4 W / Gemiddelde actieve efficiëntie: 89,17% / Efficiëntie bij lage belasting: 88,13% / Stroomverbruik bij geen belasting: 0,0552 W

Información de eficiencia energética:

Español

Adaptador de CA P16V2.4A-R / Tensión de entrada: 230 V / Frecuencia de CA de entrada: 50 Hz / Tensión de salida (CC): 16,0 V / Corriente de salida: 2,4 A / Potencia de salida: 38,4 W / Eficiencia activa media: 89,17% / Eficiencia con carga baja: 88,13% / Consumo de energía sin carga: 0,0552 W

Informazioni sull'efficienza energetica:

Italiano

Adattatore CA P16V2.4A-R / Tensione in ingresso: 230 V / Frequenza CA ingresso: 50 Hz / Tensione in uscita (CC): 16,0 V / Corrente di uscita: 2,4 A / Potenza di uscita: 38,4 W / Efficienza attiva media: 89,17% / Efficienza a carico ridotto: 88,13% / Consumo elettrico senza carico: 0,0552 W

Informações sobre eficiência de energia:

Português

Adaptador CA P16V2.4A-R / Tensão de entrada: 230 V / Frequência de CA de entrada: 50 Hz / Tensão de saída (CC): 16,0 V / Corrente de saída: 2,4 A / Potência de saída: 38,4 W / Média de eficiência ativa: 89,17% / Eficiência com baixa carga: 88,13% / Consumo de energia sem carga: 0,0552 W

Πληροφορίες ενεργειακής απόδοσης:

Ελληνικά

Προσαρμογέας AC P16V2.4A-R / Τάση εισόδου: 230 V / Συχνότητα εισόδου AC: 50 Hz / Τάση εξόδου (DC): 16,0 V / Ρεύμα εξόδου: 2,4 A / Ισχύς εξόδου: 38,4 W / Μέση ενεργός απόδοση: 89,17% / Απόδοση σε χαμηλό φορτίο: 88,13% / Κατανάλωση ισχύος άνευ φορτίου: 0,0552 W

Information om energieeffektivitet:

Svenska

Nätadapter P16V2.4A-R / Inspänning: 230 V / Växelströmsfrekvens in: 50 Hz / Utspänning (Likström): 16,0 V / Utgående ström: 2,4 A / Uteffekt: 38,4 W / Genomsnittlig aktiv effektivitet: 89,17% / Effektivitet vid låg belastning: 88,13% / Energiförbrukning utan belastning: 0,0552 W

Oplysninger om energieffektivitet:

Dansk

AC-adapter P16V2.4A-R/indgangsspænding: 230 V/indgangs-AC-frekvens: 50 Hz/udgangsspænding (DC): 16,0 V/udgangsstrøm: 2,4 A/udgangseffekt: 38,4 W/gennemsnitlig aktiv effektivitet: 89,17%/effektivitet ved lav belastning: 88,13%/strømforbrug ved ingen belastning: 0,0552 W

Energiatohokkuustiedot:

Suomi

Verkkolaite P16V2.4A-R / Tulojännite : 230 V / Tulojännitteen taajuus : 50 Hz / Lähtöjännite (DC) : 16,0 V / Lähtövirta : 2,4 A / Lähtöteho : 38,4 W / Keskimääräinen tehokkuus käytössä : 89,17% / Tehokkuus pienellä kuormalla : 88,13% / Kulutus kuormittamattomana : 0,0552 W

Informacje o efektywności energetycznej:

Polski

Zasilacz sieciowy P16V2.4A-R / Napięcie wyjściowe: 230 V / Częstotliwość napięcia zasilania prądem zmiennym: 50 Hz / Napięcie wyjściowe (DC): 16,0 V / Prąd wyjściowy: 2,4 A / Maksymalna wyjściowa: 38,4 W / Średnia sprawność robocza: 89,17% / Sprawność przy niskim poziomie obciążenia: 88,13% / Zużycie energii bez obciążenia: 0,0552 W

Informace o energetické účinnosti:

Čeština

Adaptér napájení P16V2.4A-R / Vstupní napětí: 230 V / Vstupní frekvence střídavého proudu: 50 Hz / Výstupní napětí (DC): 16,0 V / Výstupní proud: 2,4 A / Výstupní výkon: 38,4 W / Průměrná účinnost v aktivním režimu: 89,17% / Účinnost při nízké zátěži: 88,13% / Spotřeba ve stavu bez zátěže: 0,0552 W

Energhatékonyági adatok:

Magyar

P16V2.4A-R hálózati adapter / Beviteli feszültség: 230 V / Beviteli hálózati frekvencia: 50 Hz / Kimeneti feszültség (DC): 16,0 V / Kimenő áramerősség: 2,4 A / Kimeneti teljesítmény: 38,4 W / Átlagos aktív teljesítmény: 89,17% / Hatékonyság alacsony töltésnél: 88,13% / Teljesítményfelvétel nem töltöttségénél: 0,0552 W

Energhatékonyuse teave:

Eesti

AC-adapter P16V2.4A-R / Sisendpinge: 230 V / Sisendi voolusagedus: 50 Hz / Väljundpinge (DC): 16,0 V / Väljundvool: 2,4 A / Väljundvõimsus: 38,4 W / Tõõseisundi keskmine kasutegur: 89,17% / Tõõhusus väikese koormuse juures: 88,13% / Energhatõõrbimine koormamata seisundis: 0,0552 W

Informācija par energoefektivitāti:

Latviešu

Maiņstrāvas adapteris P16V2.4A-R / Ieejas spriegums: 230 V / Ieejas maiņstrāvas frekvence: 50 Hz / Izejas spriegums (līdzstrāva): 16,0 V / Izejas strāva: 2,4 A / Izejas jauda: 38,4 W / Vidējā aktīvā efektivitāte: 89,17% / Efektivitāte ar mazu slodzi: 88,13% / Energhijas patēriņš bez slodzes: 0,0552 W

Energhijos naudojimo efektyvumo informacija:

Lietuvių

Kintamosios srovės adapteris P16V2.4A-R / Įėjimo įtampa: 230 V / Įėjimo kintamosios srovės dažnis: 50 Hz / Išėjimo įtampa (nuolatinė srovė): 16,0 V / Išėjimo srovė: 2,4 A / Išvesties galia: 38,4 W / Vidutinis efektyvumas aktyviojo režimu: 89,17% / Efektyvumas esant mažai apkrovai: 88,13% / Energhijos sąnaudos be apkrovos: 0,0552 W

Informācie o energhetickej účinnosti:

Slovenčina

Adaptér napájania P16V2.4A-R / Vstupné napätie: 230 V / Vstupná frekvencia striedavého prúdu: 50 Hz / Výstupné napätie (DC): 16,0 V / Výstupný prúd: 2,4 A / Výstupný výkon: 38,4 W / Priemerná účinnosť v aktívnom režime: 89,17% / Účinnosť pri nízkej záťaži: 88,13% / Spotreba v stave bez záťaže: 0,0552 W

Podatki o energhetski učinkovitosti:

Slovenščina

Električni napajalnik P16V2.4A-R / Vhodna napetost: 230 V / Vhodna frekvencia izmeničnega toka: 50 Hz / Izhodna napetost (enosmerni tok): 16,0 V / Izhodni tok: 2,4 A / Izhodna moč: 38,4 W / Povprečna učinkovitost – v času delovanja: 89,17% / Učinkovitost pri nižji obremenitvi: 88,13% / Poraba energhije – brez obremenitve: 0,0552 W

Информация за енергийна ефективност:

Български

Адаптер за променливотоково захранване P16V2.4A-R / Входно напрежение : 230 V / Входна честота (променлив ток) : 50 Hz / Изходно напрежение (постоянен ток) : 16,0 V / Изходен ток : 2,4 A / Изходна мощност : 38,4 W / Средна активна ефективност : 89,17% / Ефективност при ниско натоварване : 88,13% / Консумация на енергия без натоварване : 0,0552 W

Informații privind eficiența energetică:

Română

Adaptor CA P16V2.4A-R / Tensiune de intrare: 230 V / Frecvență CA de intrare: 50 Hz / Tensiune de ieșire (CC): 16,0 V / Curent de ieșire: 2,4 A / Putere de ieșire: 38,4 W / Eficiență activă medie: 89,17% / Eficiență la sarcină redusă: 88,13% / Consum electric fără sarcină: 0,0552 W

Informacije o energetskoj učinkovitosti:

Hrvatski

Prilagodnik izmjeničnog napajanja P16V2.4A-R / Ulazni napon: 230 V / Ulazna frekvencija izmjeničnog napajanja: 50 Hz / Izlazni napon (istosmjerna struja): 16,0 V / Izlazna struja: 2,4 A / Izlazna snaga: 38,4 W / Prosječna aktivna učinkovitost: 89,17% / Učinkovitost pri niskom opterećenju: 88,13% / Potrošnja energije bez opterećenja: 0,0552 W

Enerji Verimliliği Bilgileri:

Türkçe

AC adaptörü P16V2.4A-R / Giriş gerilimi : 230 V / Giriş AC frekansı : 50 Hz / Çıkış gerilimi (DC) : 16,0 V / Çıkış akımı : 2,4 A / Çıkış gücü : 38,4 W / Ortalama etkin verimlilik : %89,17 / Düşük yükte verimlilik : %88,13 / Yüksüz güç tüketimi : 0,0552 W

Yamaha Global Site
U.S.A. and Canada
<https://uc.yamaha.com/>
Other countries
<https://www.yamaha.com/>

Yamaha Downloads
U.S.A. and Canada
<https://uc.yamaha.com/support/>
Other countries
<https://download.yamaha.com/>